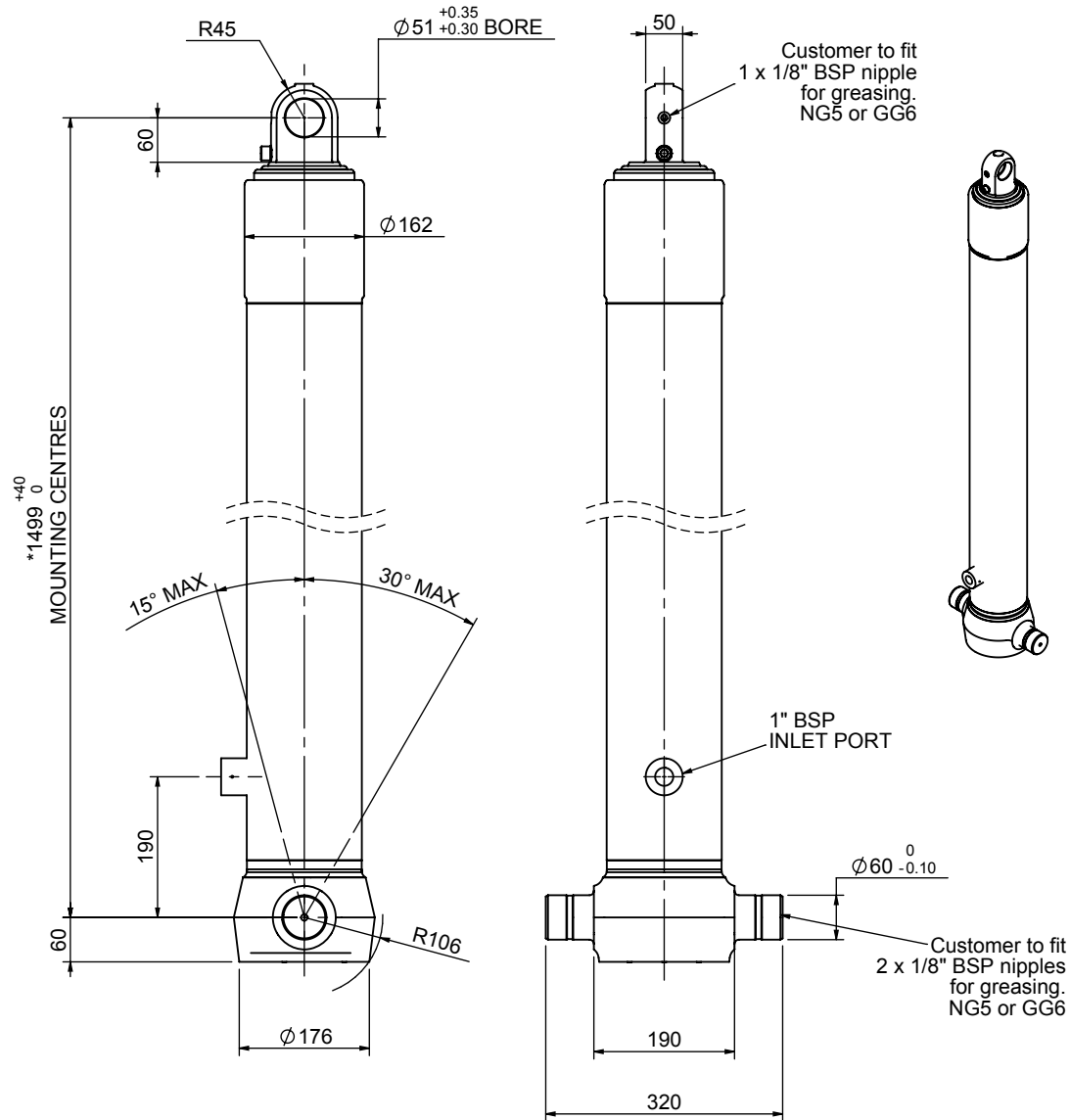


Cylinder 3 stage front end with plain eye



*Includes 9mm Pull Out.
Last Stage Chrome Plated

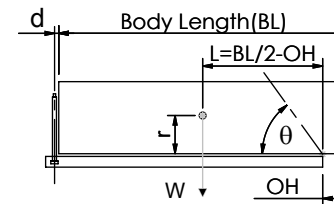


Edbro plc
Nelson Street, Bolton, England, BL3 2JJ
Tel +44 (0) 1204 528888 Fax +44 (0) 1204 531957
Email: postmaster@edbro.com Web: www.edbro.com

CS130E33769B19A01

SPECIFICATION		TIPPING CAPACITY : 28-44 TONNES***		
Stage	Diameter	Length	Stroke	Swept Volume
-	-	-	-	-
-	-	-	-	-
-	-	-	-	-
0	155	1475	-	-
1	136	1440	1238	18
2	117	1440	1262	14
3	98	1440	1267	10
Total (+5/-10)			3767	42
Final stroke reduced by	0	Priming Volume		14
Cylinder Mass (Kg)	117	Total Volume (Litres)		52
Maximum Pressure (Bar)	190	Max. first stage thrust		200 KN

***TIPPING CAPACITY AT WORKING PRESSURE



BODY LENGTH (BL)						OH
4900	5100	5300				
30	48°	29	46°	28	44°	150
35	52°	33	49°	32	47°	450
44	56°	41	53°	38	50°	750

d = 0; r = 750; Working Pressure 135 bar

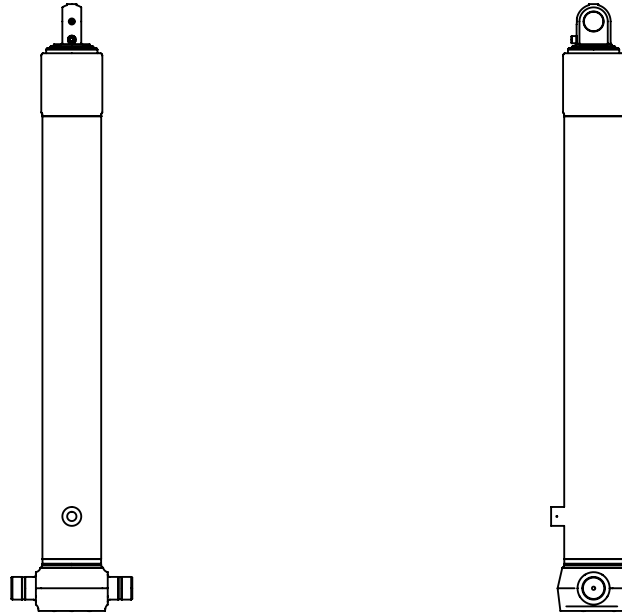
For guidance only;

Higher working pressures and tipping capacities may be possible.
To check your application email - applications@edbro.co.uk

NOTES

- This cylinder is for lifting purposes only and side load conditions should be avoided
- Cylinder is painted in primer paint to RAL5013
- Refer to www.edbro.com for:-
 - Bracket details
 - Installation instructions that must be observed
 - Correct oil selection
 - An explanation of tipping capacity

Technical Specifications are subject to change without notice
Date Created/Updated: 10 September 2012
Refer www.edbro.com to confirm latest specification
All dimensions are in 'mm', unless otherwise stated



CS130E33769B19A01