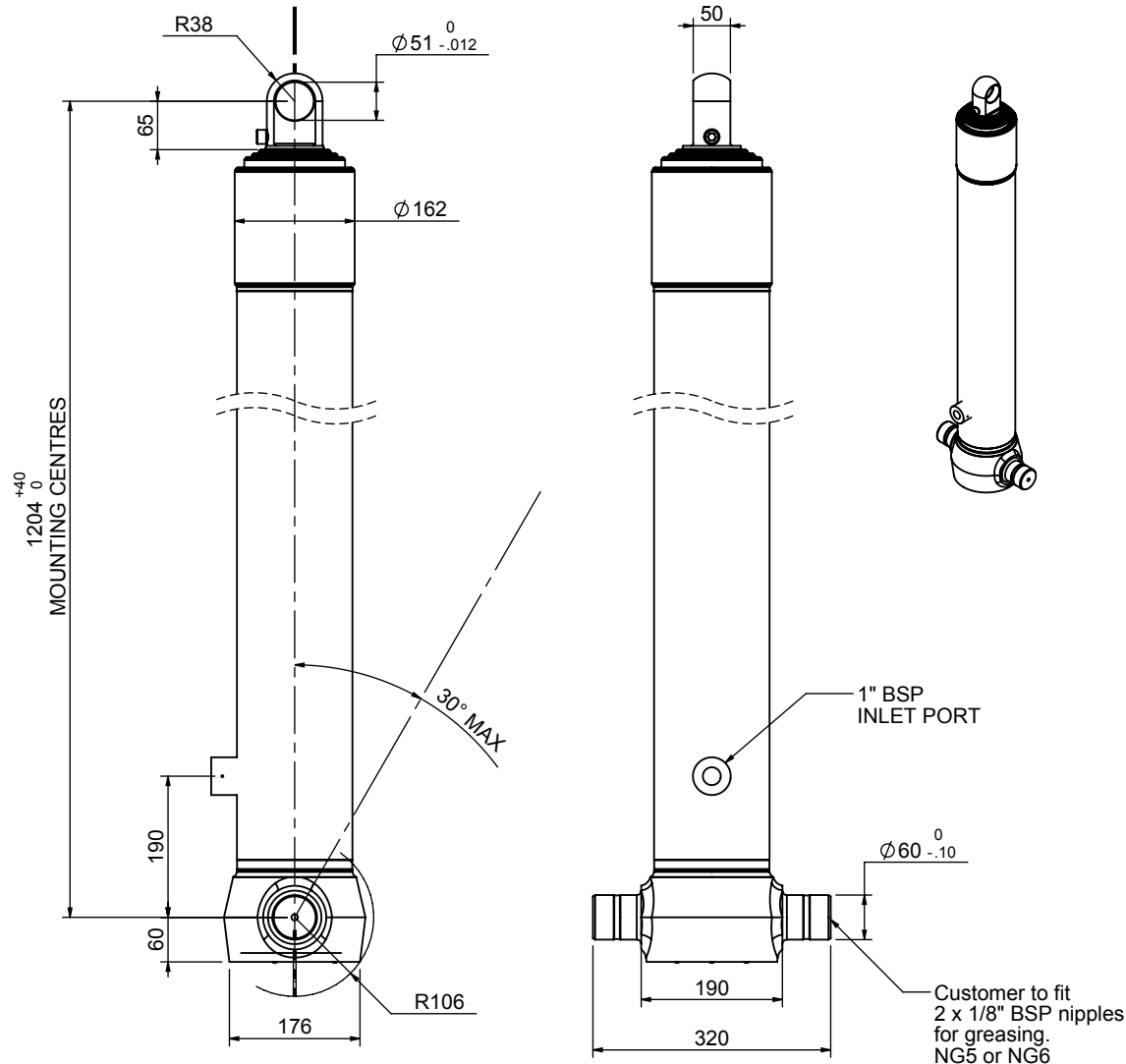


Cylinder 4 stage front end with plain eye

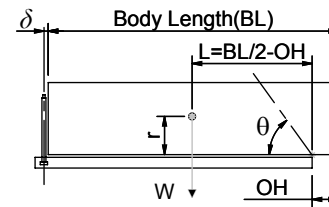
CS130E43841B19A01C



SPECIFICATION		RATED CAPACITY : 25-42 TONNES***		
Stage	Diameter	Length	Stroke	Swept Volume
-	-	-	-	-
-	-	-	-	-
0	155	1175	-	-
1	136	1140	938	14
2	117	1140	962	10
3	98	1140	967	7
4	79	1140	972	5
Final stroke reduced by	0	Total (+5/-10)	3839	36
Cylinder Mass (Kg)	111.08	Priming Volume	10.7	
Rated Pressure (Bar)	175	Total Volume (Litres)	46.7	
Maximum Pressure (Bar)	175	Max. first stage thrust	200 KN	

***TIPPING CAPACITY AT RATED PRESSURE

d = 0 ; r = 750



BODY LENGTH (BL)						OH
5000		5250		5500		
27	48°	26	45°	25	43°	150
33	51°	30	48°	28	46°	450
42	55°	37	51°	34	49°	750

Tipping angle (θ)
 Body + payload mass, W (tonne)

For guidance only;

Higher Rated Pressures may be possible. To check your application, email Edbro plc at <applications@edbro.co.uk>

NOTES

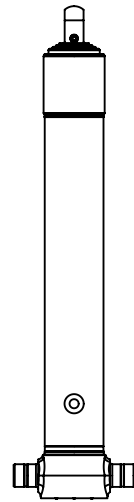
- If hydraulic pressure is used to limit overloading, the system relief valve must be set to the Rated Pressure unless agreed otherwise by Edbro
- The system relief valve can be set to Maximum Pressure if the load is limited by other means. See RATINGS page for advice
- This cylinder is for lifting purposes only and sload conditions must be avoided
- Cylinder is painted in primer paint to RAL5013
- See bracket options page BRKT01, BRKT02
- See installation instructions INSTALL01
- Use oil according to specification OIL01

*Include 9mm Pull Out
All Stages Fully Chromed



Edbro plc
 Nelson Street, Bolton, Lancashire BL3 2JJ UK
 Tel +44 (0) 1204 528888 Fax +44 (0) 1204 531957
 Email: postmaster@edbro.com Web: www.edbro.com

Technical Specifications are subject to change without notice
 Date Created/Updated: 16 July 2010 09:53:55
 Refer www.edbro.com to confirm latest specification
 All dimensions are in 'mm', unless otherwise stated



CS130E43841B19A01C