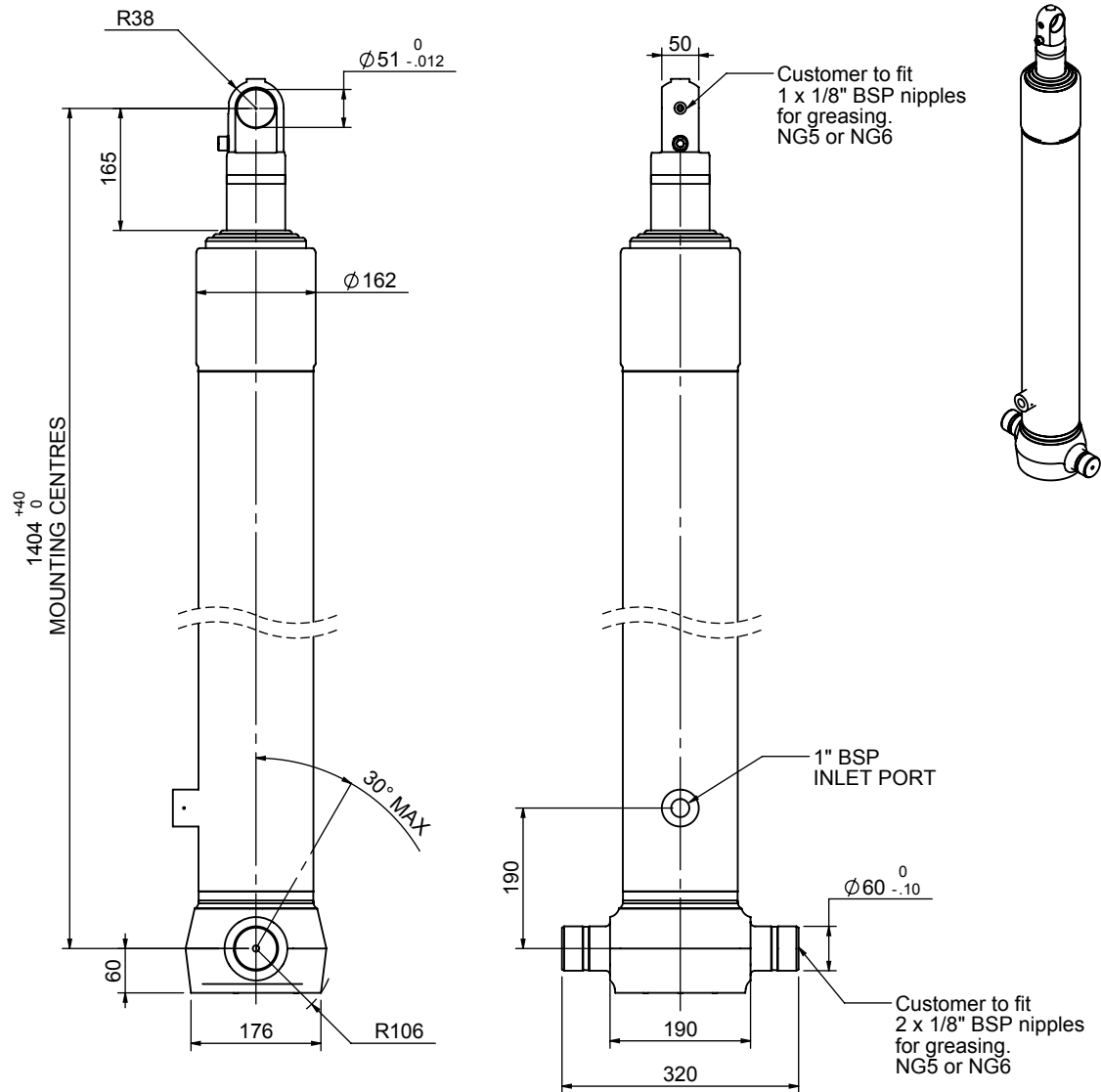


Cylinder 4 stage front end with plain eye

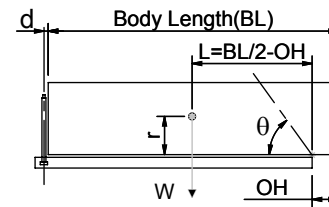
CS130E44039B19E05



SPECIFICATION		RATED CAPACITY : 24-36 TONNES***		
Stage	Diameter	Length	Stroke	Swept Volume
-	-	-	-	-
-	-	-	-	-
0	155	1275	-	-
1	136	1240	1038	15
2	117	1240	1062	11
3	98	1240	1067	8
4	79	1340	872	4
Final stroke reduced by	200	Total (+5/-10)	4039	38
Cylinder Mass (Kg)	113.89	Priming Volume	11	
Rated Pressure (Bar)	175	Total Volume (Litres)	49	
Maximum Pressure (Bar)	175	Max. first stage thrust	200 KN	

***TIPPING CAPACITY AT RATED PRESSURE

$d = 0 ; r = 750$



BODY LENGTH (BL)					OH	
5600		5800		6000		
26	47°	25	45°	24	43°	150
30	50°	28	48°	27	46°	450
36	53°	34	51°	32	49°	750

Tipping angle (θ)
 Body + payload mass, W (tonne)

For guidance only;

Higher Rated Pressures may be possible. To check your application, email Edbro plc at <applications@edbro.co.uk>

NOTES

- If hydraulic pressure is used to limit overloading, the system relief valve must be set to the Rated Pressure unless agreed otherwise by Edbro
- The system relief valve can be set to Maximum Pressure if the load is limited by other means. See RATINGS page for advice
- This cylinder is for lifting purposes only and sload conditions must be avoided
- Cylinder is painted in primer paint to RAL5013
- See bracket options page BRKT01, BRKT02
- See installation instructions INSTALL01
- Use oil according to specification OIL01

*Include 9mm Pull Out Last Stage Chrome Plated

Edbro
SETTING THE INDUSTRY STANDARD

Edbro plc
Nelson Street, Bolton, Lancashire BL3 2JJ UK
Tel +44 (0) 1204 528888 Fax +44 (0) 1204 531957
Email: postmaster@edbro.com Web: www.edbro.com

Technical Specifications are subject to change without notice
Date Created/Updated: 22 December 2011 09:14:10
Refer www.edbro.com to confirm latest specification
All dimensions are in 'mm', unless otherwise stated