

Cylinder 4 stage front end with plain eye

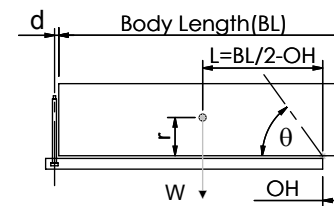
CS130E44241B19A01

SPECIFICATION

TIPPING CAPACITY : 24-36 TONNES***

Stage	Diameter	Length	Stroke	Swept Volume
-	-	-	-	-
-	-	-	-	-
0	155	1275	-	-
1	136	1240	1038	15
2	117	1240	1062	11
3	98	1240	1067	8
4	79	1240	1072	5
Total (+5/-10)			4239	39
Final stroke reduced by	0	Priming Volume		11
Cylinder Mass (Kg)	113	Total Volume (Litres)		48
Maximum Pressure (Bar)	190	Max. first stage thrust		200 KN

*****TIPPING CAPACITY AT WORKING PRESSURE**



BODY LENGTH (BL)						OH
5600	5800	6000				
26	47°	25	45°	24	43°	150
30	50°	28	48°	27	46°	450
36	53°	34	51°	32	49°	750

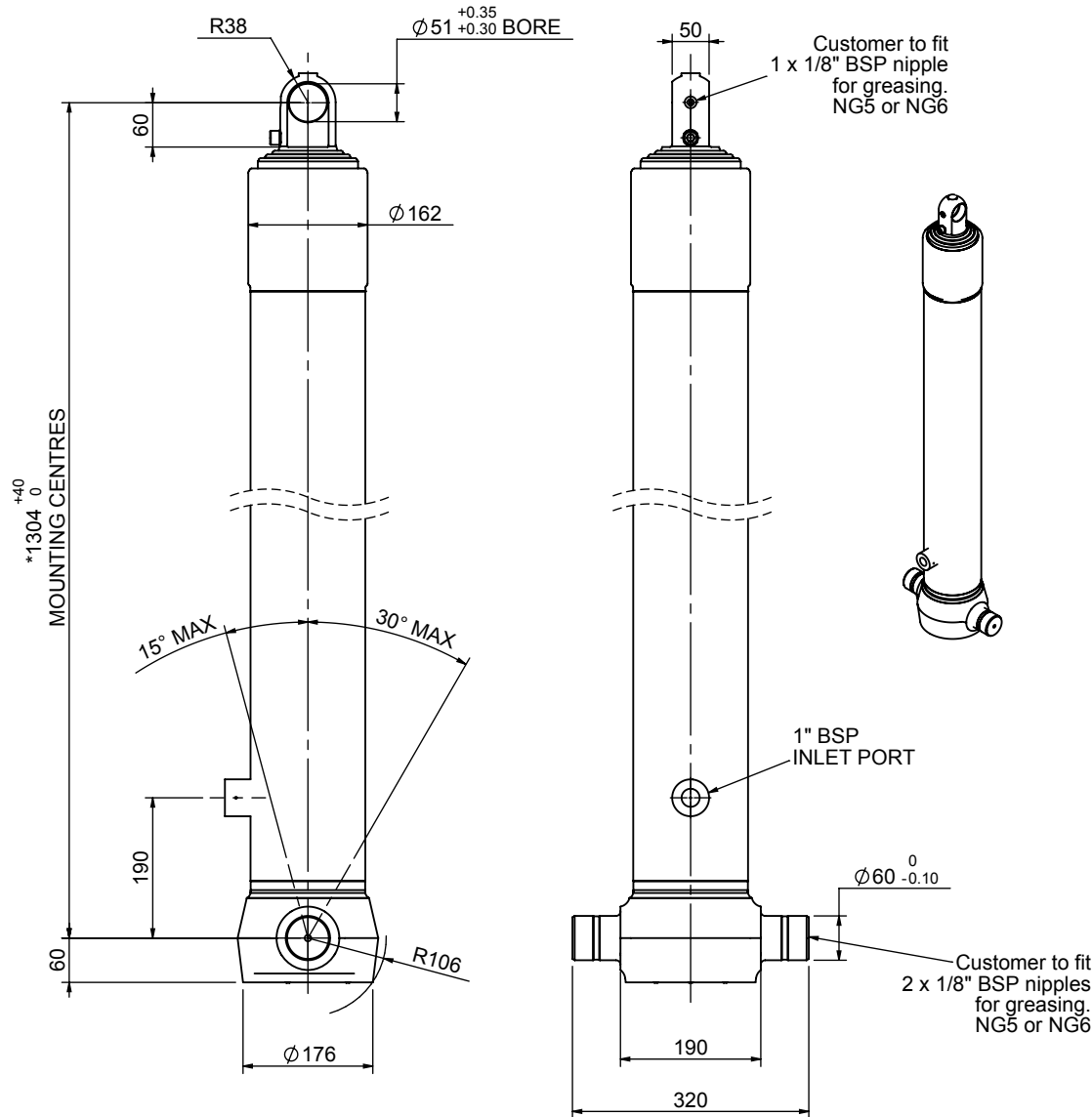
d = 0; r = 750; Working Pressure 175 bar

For guidance only;

Higher working pressures and tipping capacities may be possible. To check your application email - applications@edbro.co.uk

NOTES

1. This cylinder is for lifting purposes only and side load conditions should be avoided
2. Cylinder is painted in primer paint to RAL5013
3. Refer to www.edbro.com for:-
 - Bracket details
 - Installation instructions that must be observed
 - Correct oil selection
 - An explanation of tipping capacity

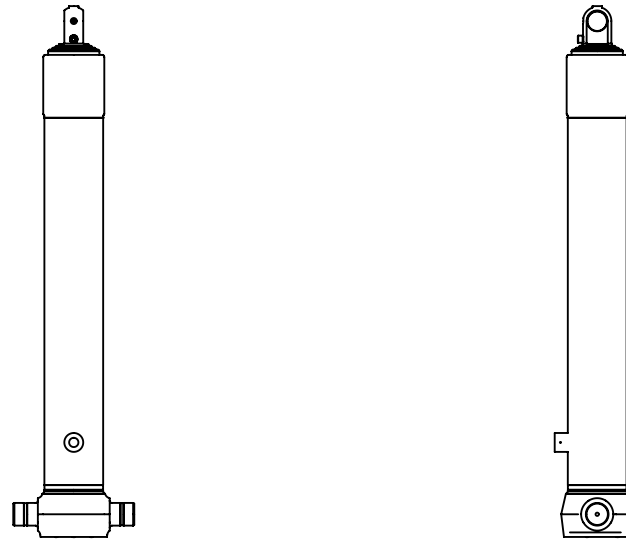


*Includes 9mm Pull Out. Last Stage Chrome Plated



Edbro plc
 Nelson Street, Bolton, England, BL3 2JJ
 Tel +44 (0) 1204 528888 Fax +44 (0) 1204 531957
 Email: postmaster@edbro.com Web: www.edbro.com

Technical Specifications are subject to change without notice
 Date Created/Updated: 10 September 2012
 Refer www.edbro.com to confirm latest specification
 All dimensions are in 'mm', unless otherwise stated



CS130E44241B19A01