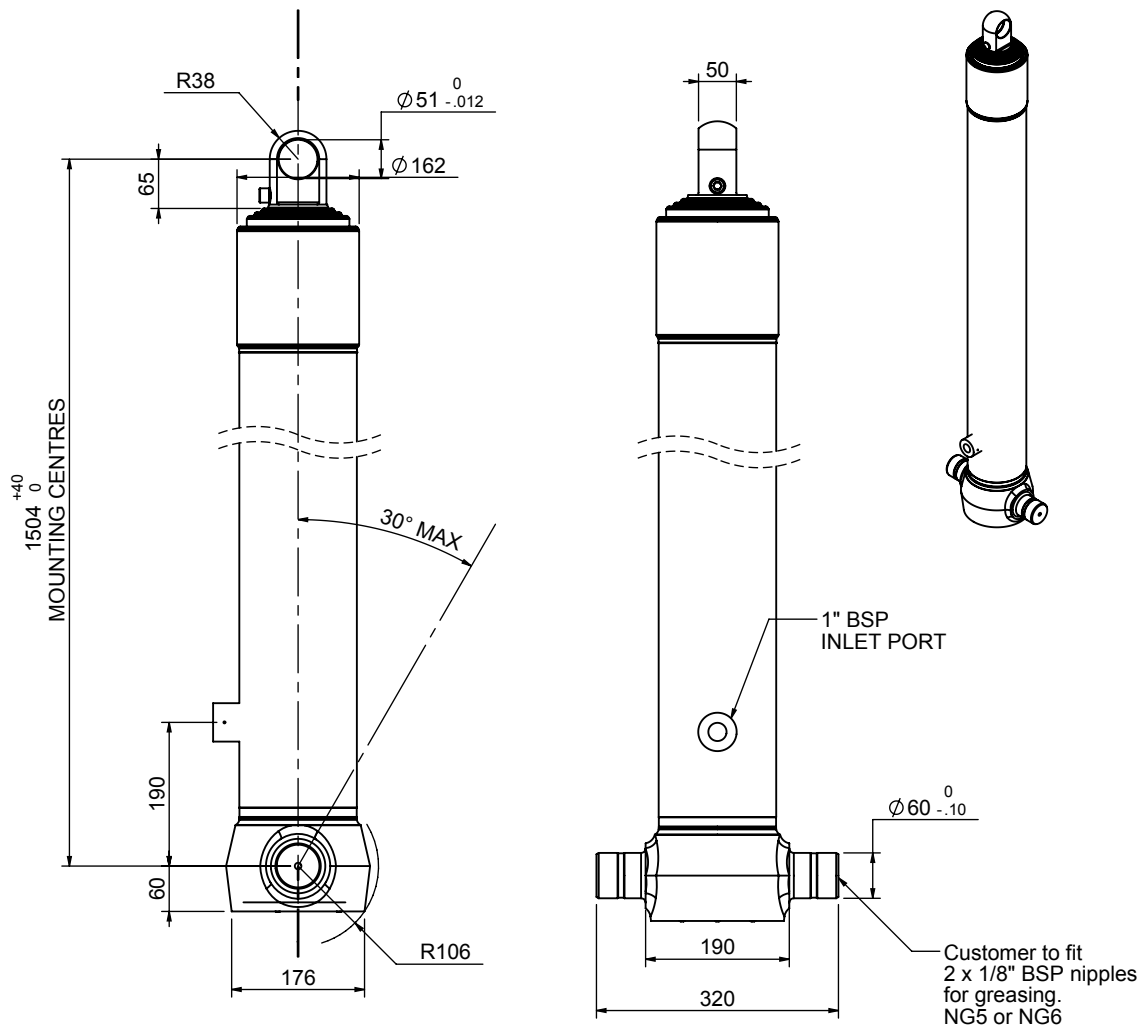


Cylinder 4 stage front end with plain eye

CS130E45041B19A01C

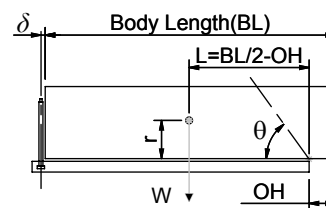


SPECIFICATION RATED CAPACITY : 18-25 TONNES***

Stage	Diameter	Length	Stroke	Swept Volume
-	-	-	-	-
-	-	-	-	-
0	155	1475	-	-
1	136	1440	1238	18
2	117	1440	1262	14
3	98	1440	1267	10
4	79	1440	1272	6
Final stroke reduced by	0	Total (+5/-10)	5039	48
Cylinder Mass (Kg)	126.58	Priming Volume		12.6
Rated Pressure (Bar)	135	Total Volume (Litres)		60.6
Maximum Pressure (Bar)	175	Max. first stage thrust		200 KN

***TIPPING CAPACITY AT RATED PRESSURE

d = 0 ; r = 750



BODY LENGTH (BL)					OH	
6500		6750		7000		
19	48°	19	46°	18	44°	150
22	50°	21	48°	20	46°	450
25	53°	23	51°	22	49°	750

Tipping angle (θ)
Body + payload mass, W (tonne)

For guidance only;

Higher Rated Pressures may be possible. To check your application, email Edbro plc at <applications@edbro.co.uk>

NOTES

- If hydraulic pressure is used to limit overloading, the system relief valve must be set to the Rated Pressure unless agreed otherwise by Edbro
- The system relief valve can be set to Maximum Pressure if the load is limited by other means. See RATINGS page for advice
- This cylinder is for lifting purposes only and sload conditions must be avoided
- Cylinder is painted in primer paint to RAL5013
- See bracket options page BRKT01, BRKT02
- See installation instructions INSTALL01
- Use oil according to specification OIL01

*Include 9mm Pull Out
All Stages Fully Chromed



Edbro plc
Nelson Street, Bolton, Lancashire BL3 2JJ UK
Tel +44 (0) 1204 528888 Fax +44 (0) 1204 531957
Email: postmaster@edbro.com Web: www.edbro.com

Technical Specifications are subject to change without notice
Date Created/Updated: 22 December 2009 11:32:36
Refer www.edbro.com to confirm latest specification
All dimensions are in 'mm', unless otherwise stated