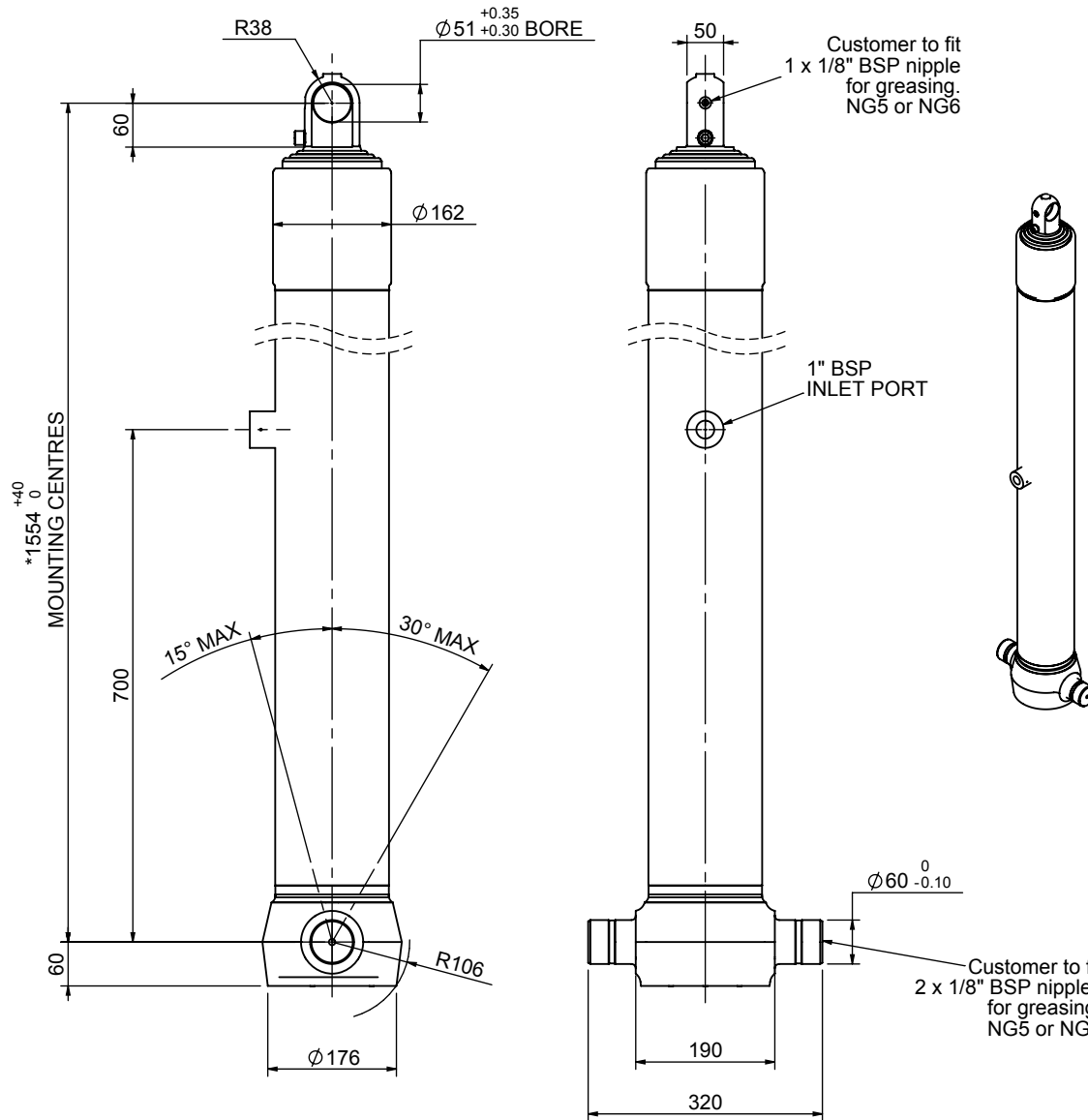


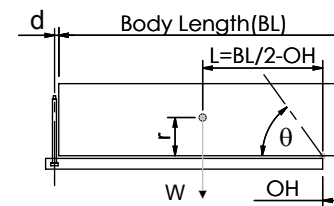
Cylinder 4 stage front end with plain eye

CS130E45241B70A01



SPECIFICATION		TIPPING CAPACITY : 16-21 TONNES***		
Stage	Diameter	Length	Stroke	Swept Volume
-	-	-	-	-
-	-	-	-	-
0	155	1525	-	-
1	136	1490	1288	19
2	117	1490	1312	14
3	98	1490	1317	10
4	79	1490	1322	6
Total (+5/-10)			5239	49
Final stroke reduced by	0	Priming Volume		13
Cylinder Mass (Kg)	131	Total Volume (Litres)		62
Maximum Pressure (Bar)	190	Max. first stage thrust		200 KN

***TIPPING CAPACITY AT WORKING PRESSURE



BODY LENGTH (BL)						OH
6850		7100		7350		
17	47°	16	45°	16	43°	150
19	49°	18	47°	17	45°	450
21	52°	20	50°	19	48°	750

d = 0; r = 750; Working Pressure 120 bar

For guidance only;

Higher working pressures and tipping capacities may be possible.
To check your application email - applications@edbro.co.uk

NOTES

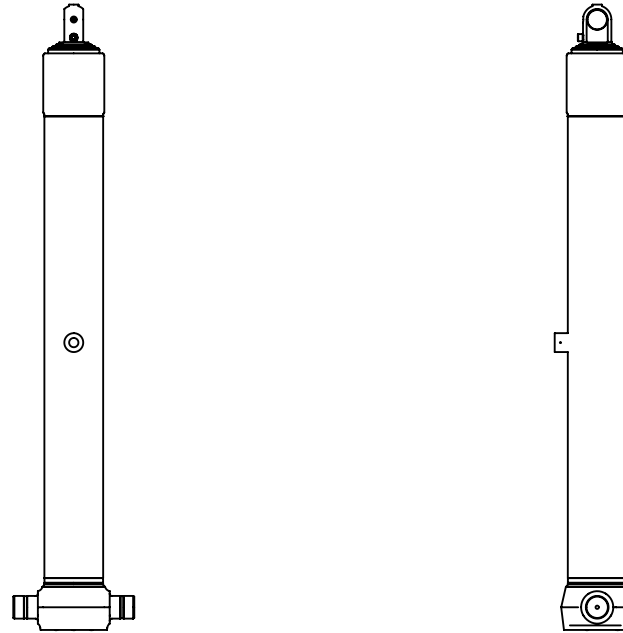
1. This cylinder is for lifting purposes only and side load conditions should be avoided
2. Cylinder is painted in primer paint to RAL5013
3. Refer to www.edbro.com for:-
 - Bracket details
 - Installation instructions that must be observed
 - Correct oil selection
 - An explanation of tipping capacity

*Includes 9mm Pull Out.
Last Stage Chrome Plated



Edbro plc
Nelson Street, Bolton, England, BL3 2JJ
Tel +44 (0) 1204 528888 Fax +44 (0) 1204 531957
Email: postmaster@edbro.com Web: www.edbro.com

Technical Specifications are subject to change without notice
Date Created/Updated: 10 September 2012
Refer www.edbro.com to confirm latest specification
All dimensions are in 'mm', unless otherwise stated



CS130E45241B70A01