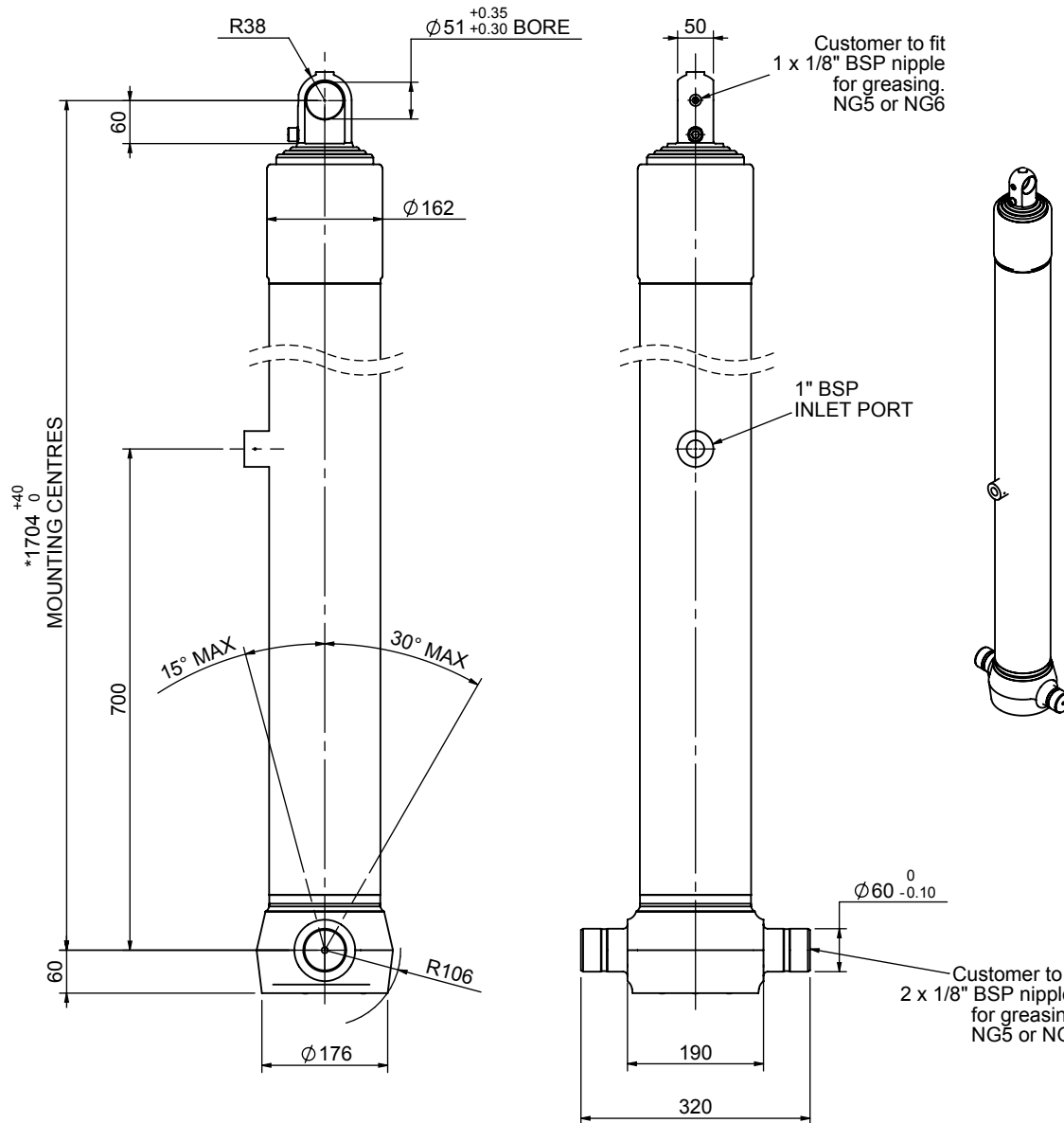


Cylinder 4 stage front end with plain eye

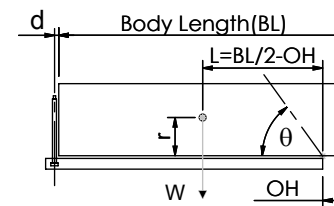


*Includes 9mm Pull Out.
Last Stage Chrome Plated

CS130E45241B70N01

SPECIFICATION		TIPPING CAPACITY : 17-24 TONNES***		
Stage	Diameter	Length	Stroke	Swept Volume
-	-	-	-	-
-	-	-	-	-
0	155	1525	-	-
1	136	1490	1438	21
2	117	1490	1462	16
3	98	1490	1467	11
4	79	1490	872	4
Total (+5/-10)			5239	52
Final stroke reduced by	600	Priming Volume		15
Cylinder Mass (Kg)	142	Total Volume (Litres)		67
Maximum Pressure (Bar)	190	Max. first stage thrust		200 KN

***TIPPING CAPACITY AT WORKING PRESSURE



BODY LENGTH (BL)						OH
6800		7050		7300		
18	47°	18	45°	17	44°	150
21	50°	20	48°	19	46°	450
24	53°	22	50°	21	48°	750

d = 0; r = 750; Working Pressure 120 bar

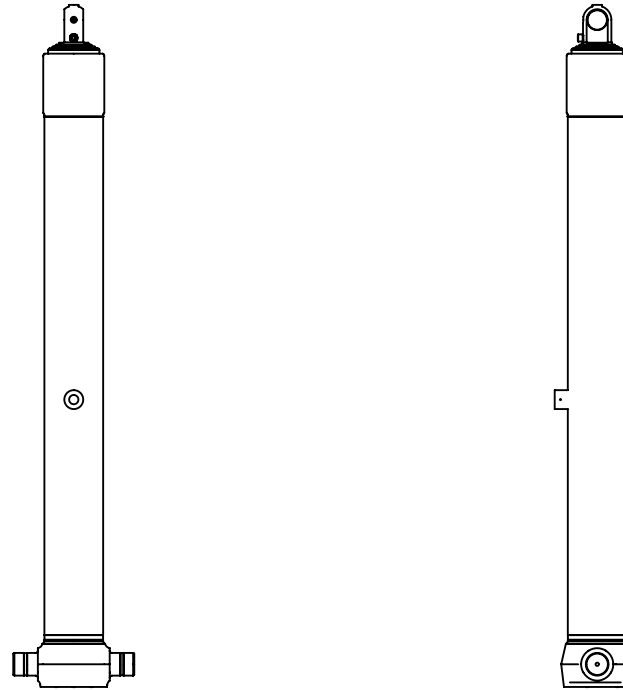
For guidance only;

Higher working pressures and tipping capacities may be possible.

To check your application email - applications@edbro.co.uk

NOTES

1. This cylinder is for lifting purposes only and side load conditions should be avoided
2. Cylinder is painted in primer paint to RAL5013
3. Refer to www.edbro.com for:-
 - Bracket details
 - Installation instructions that must be observed
 - Correct oil selection
 - An explanation of tipping capacity



CS130E45241B70N01