

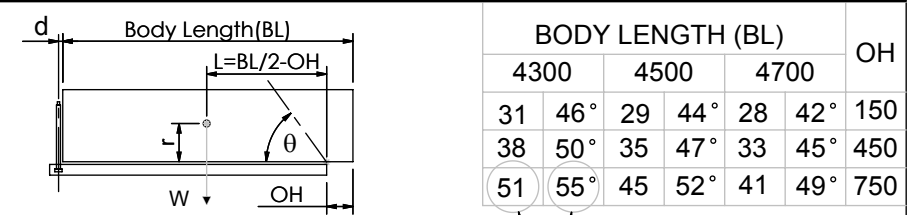
# Cylinder 3 stage front end with spherical eye

CS130S33169B19A01

**SPECIFICATION** **TIPPING CAPACITY : 28-51 TONNES\*\*\***

Stage	Diameter	Length	Stroke	Swept Volume
-	-	-	-	-
-	-	-	-	-
-	-	-	-	-
0	155	1275	-	-
1	136	1240	1038	15
2	117	1240	1062	11
3	98	1240	1067	8
Total (+5/-10)			3167	34
Final stroke reduced by	0	Priming Volume		11
Cylinder Mass (Kg)	107	Total Volume (Litres)		45
Maximum Pressure (Bar)	190	Max. first stage thrust	200 KN	

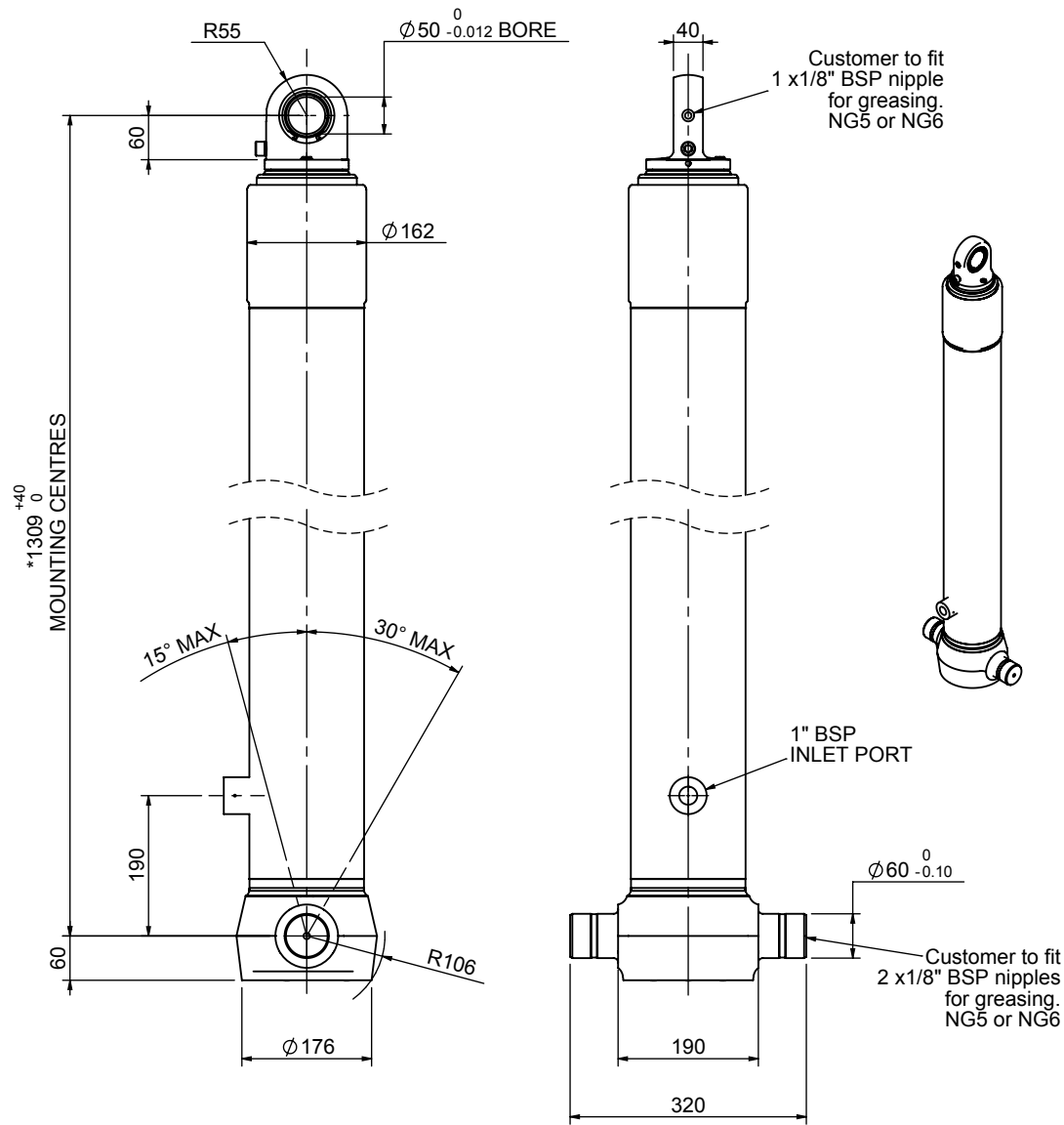
**\*\*\*TIPPING CAPACITY AT WORKING PRESSURE**



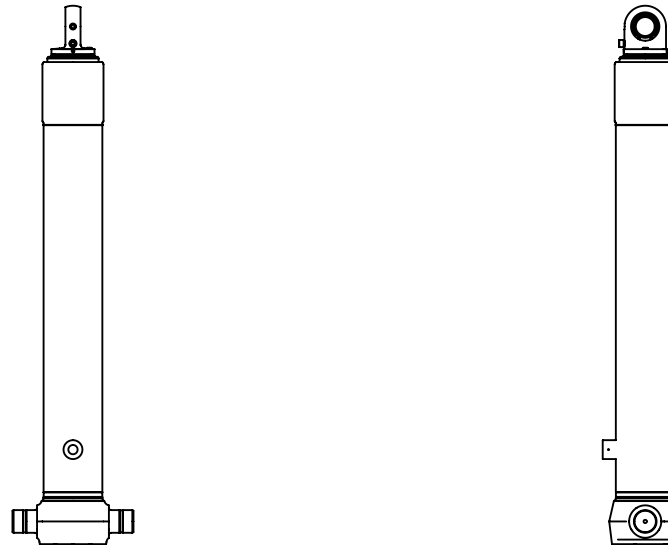
$d = 0; r = 750$ ; Working Pressure 135 bar  
**For guidance only;**  
 Higher working pressures and tipping capacities may be possible.  
 To check your application email - [applications@edbro.co.uk](mailto:applications@edbro.co.uk)

**NOTES**

1. This cylinder is for lifting purposes only and side load conditions should be avoided
2. Cylinder is painted in primer paint to RAL5013
3. Refer to [www.edbro.com](http://www.edbro.com) for:-
  - Bracket details
  - Installation instructions that must be observed
  - Correct oil selection
  - An explanation of tipping capacity



\*Includes 9mm Pull Out.  
 Last Stage Chrome Plated



CS130S33169B19A01