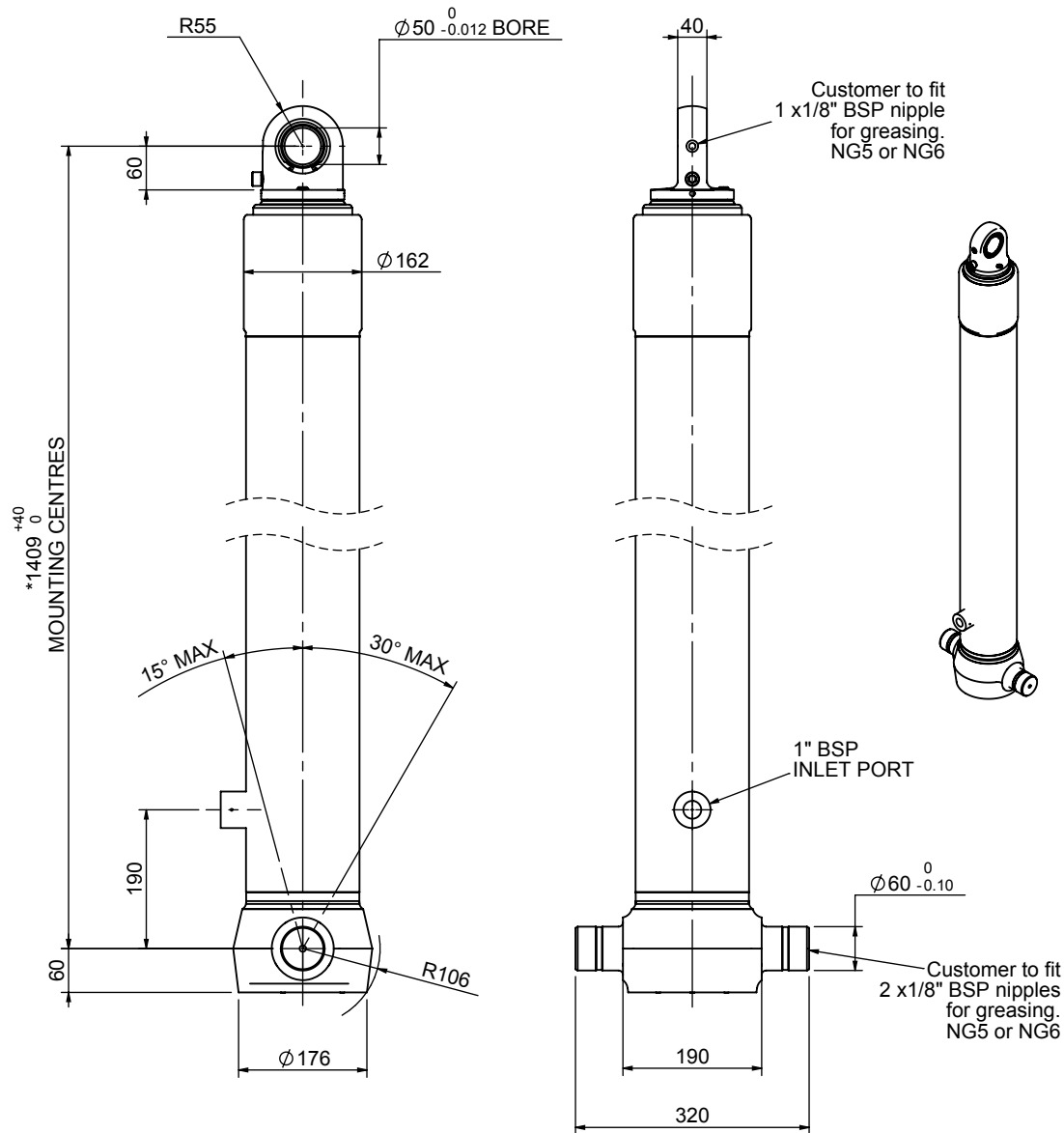


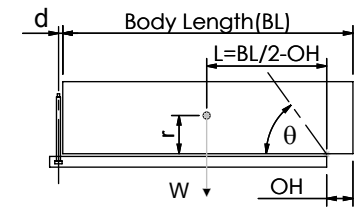
# Cylinder 3 stage front end with spherical eye

CS130S33469B19A01



SPECIFICATION		TIPPING CAPACITY : 28-47 TONNES***		
Stage	Diameter	Length	Stroke	Swept Volume
-	-	-	-	-
-	-	-	-	-
-	-	-	-	-
0	155	1375	-	-
1	136	1340	1138	17
2	117	1340	1162	12
3	98	1340	1167	9
Total (+5/-10)			3467	38
Final stroke reduced by	0	Priming Volume		13
Cylinder Mass (Kg)	114	Total Volume (Litres)		51
Maximum Pressure (Bar)	190	Max. first stage thrust		200 KN

### \*\*\*TIPPING CAPACITY AT WORKING PRESSURE



BODY LENGTH (BL)					OH	
4600	4800	5000				
30	47°	29	45°	28	43°	150
36	51°	34	48°	33	46°	450
47	56°	43	52°	39	50°	750

$d = 0$ ;  $r = 750$ ; Working Pressure 135 bar  
 For guidance only;  
 Higher working pressures and tipping capacities may be possible.  
 To check your application email - [applications@edbro.co.uk](mailto:applications@edbro.co.uk)

### NOTES

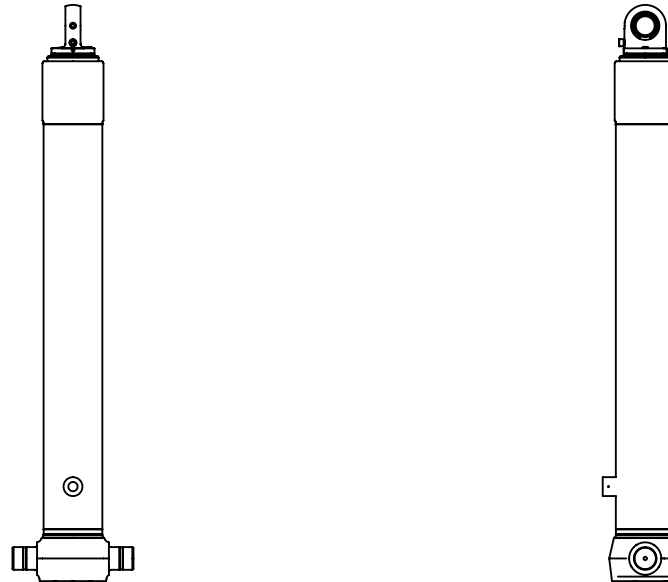
1. This cylinder is for lifting purposes only and side load conditions should be avoided
2. Cylinder is painted in primer paint to RAL5013
3. Refer to [www.edbro.com](http://www.edbro.com) for:-
  - Bracket details
  - Installation instructions that must be observed
  - Correct oil selection
  - An explanation of tipping capacity

\*Includes 9mm Pull Out.  
 Last Stage Chrome Plated



**Edbro plc**  
 Nelson Street, Bolton, England, BL3 2JJ  
 Tel +44 (0) 1204 528888 Fax +44 (0) 1204 531957  
 Email: [postmaster@edbro.com](mailto:postmaster@edbro.com) Web: [www.edbro.com](http://www.edbro.com)

Technical Specifications are subject to change without notice  
 Date Created/Updated: 12 September 2012  
 Refer [www.edbro.com](http://www.edbro.com) to confirm latest specification  
 All dimensions are in 'mm', unless otherwise stated



CS130S33469B19A01