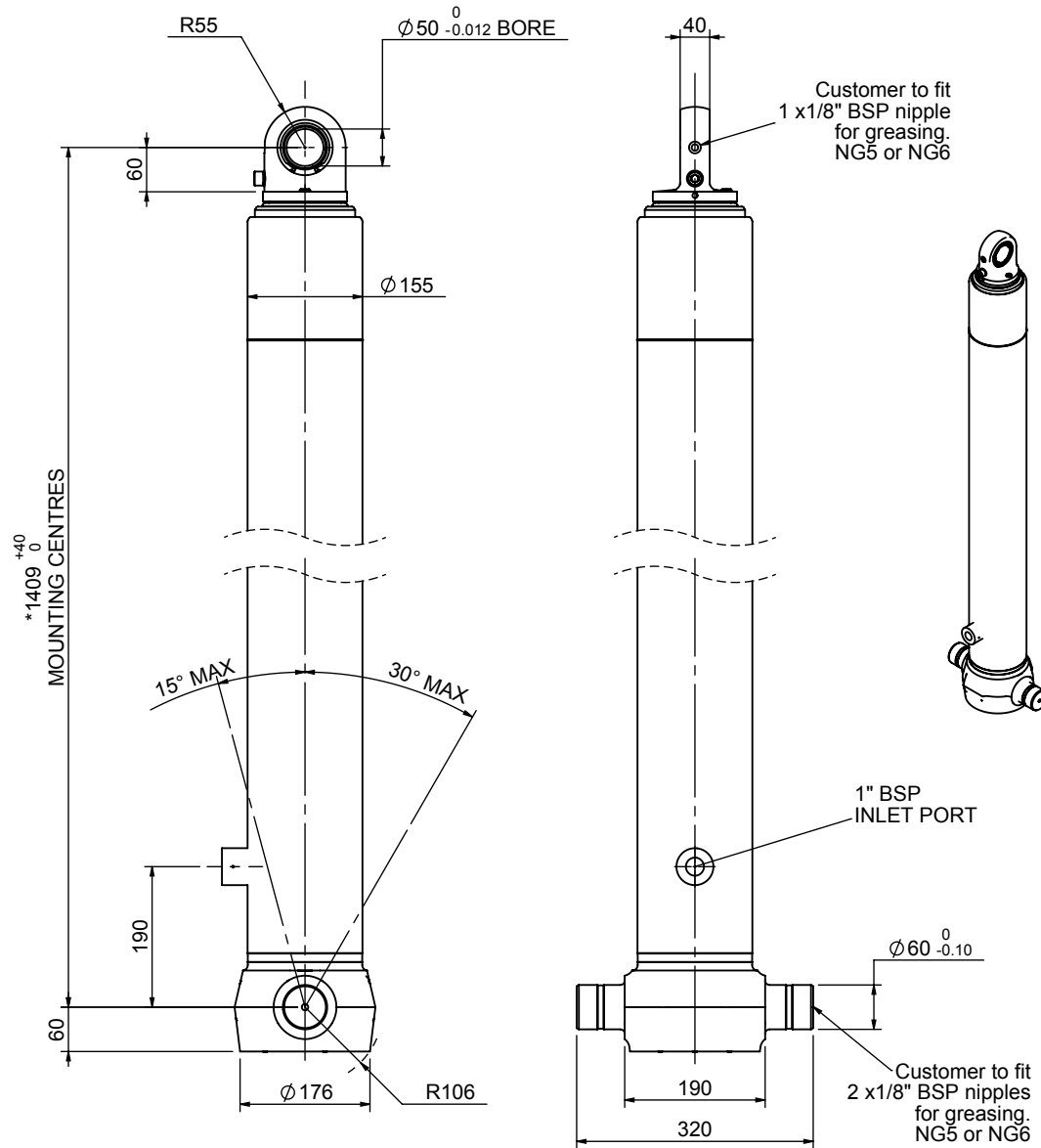


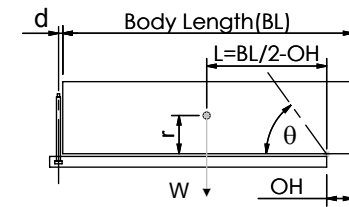
Cylinder 3 stage front end with spherical eye

CS130S33469B19A01C



SPECIFICATION		TIPPING CAPACITY : 28-47 TONNES***		
Stage	Diameter	Length	Stroke	Swept Volume
-	-	-	-	-
-	-	-	-	-
-	-	-	-	-
0	155	1375	-	-
1	136	1340	1138	17
2	117	1340	1162	12
3	98	1340	1167	9
Total (+5/-10)			3467	38
Final stroke reduced by	0	Priming Volume		13
Cylinder Mass (Kg)	112	Total Volume (Litres)		51
Maximum Pressure (Bar)	190	Max. first stage thrust		200 KN

***TIPPING CAPACITY AT WORKING PRESSURE



BODY LENGTH (BL)					OH	
4600	4800	5000				
30	47°	29	45°	28	43°	150
36	51°	34	48°	33	46°	450
47	56°	43	52°	39	50°	750

d = 0; r = 750; Working Pressure 135 bar

For guidance only;

Higher working pressures and tipping capacities may be possible.
To check your application email - applications@edbro.co.uk

NOTES

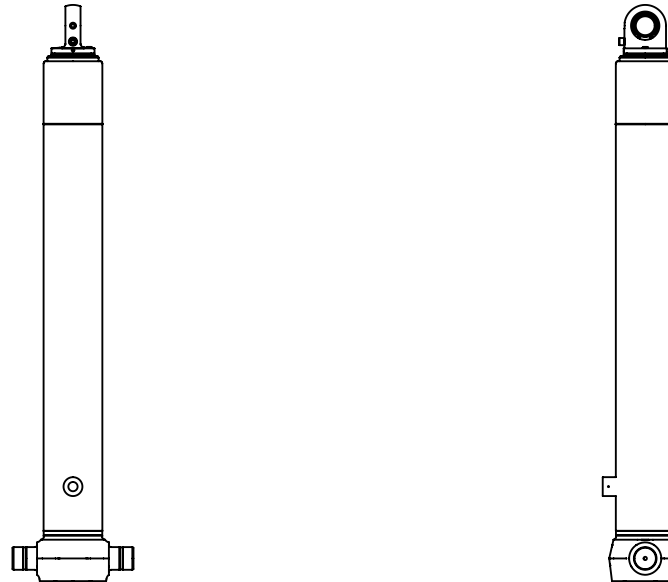
1. This cylinder is for lifting purposes only and side load conditions should be avoided
2. Cylinder is painted in primer paint to RAL5013
3. Refer to www.edbro.com for;-
 - Bracket details
 - Installation instructions that must be observed
 - Correct oil selection
 - An explanation of tipping capacity

*Includes 9mm Pull Out.
All Stages Chrome Plated



Edbro plc
Nelson Street, Bolton, England, BL3 2JJ
Tel +44 (0) 1204 528888 Fax +44 (0) 1204 531957
Email: postmaster@edbro.com Web: www.edbro.com

Technical Specifications are subject to change without notice
Date Created/Updated: 22 July 2014
Refer www.edbro.com to confirm latest specification
All dimensions are in 'mm', unless otherwise stated



CS130S33469B19A01C