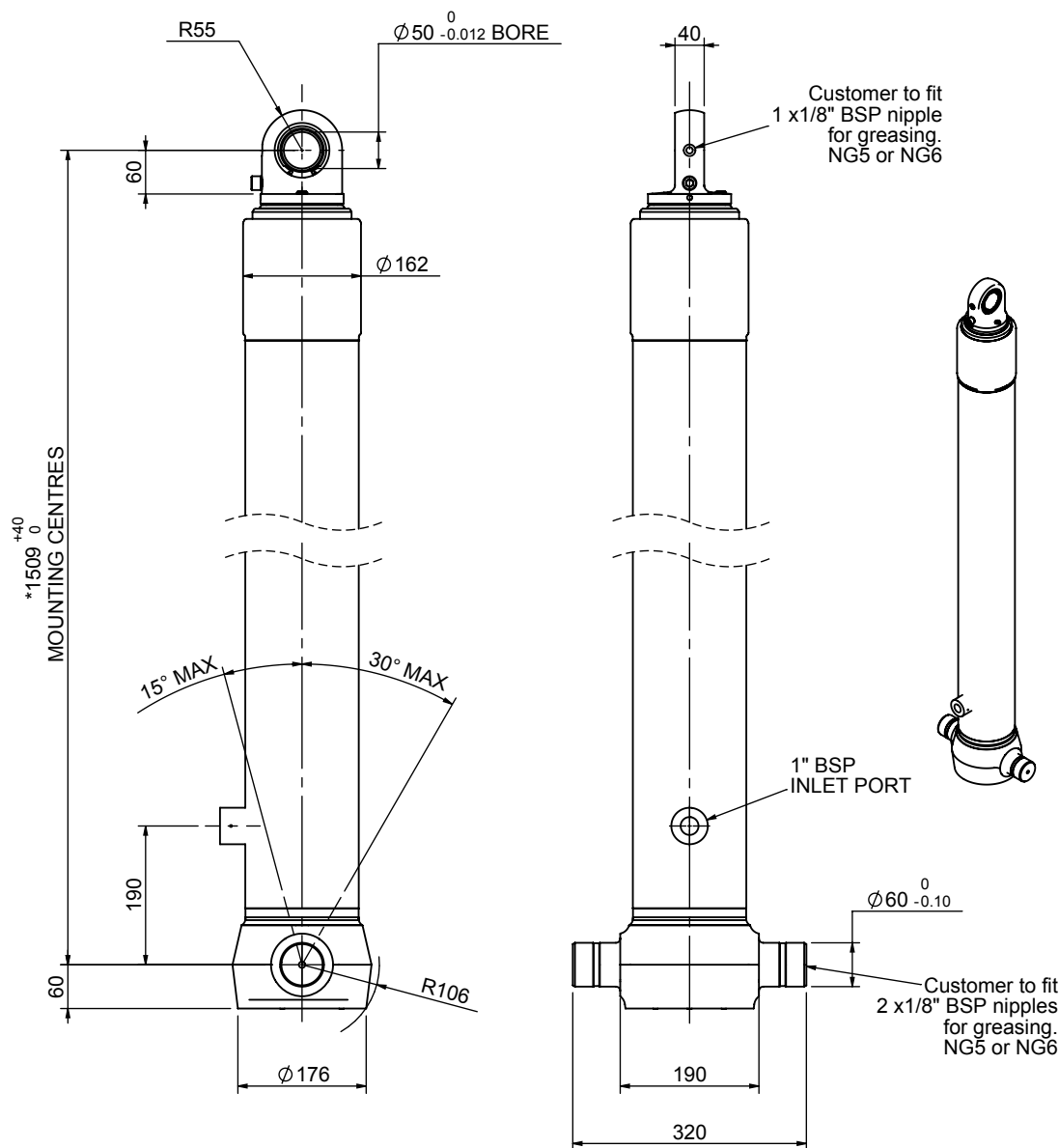


# Cylinder 3 stage front end with spherical eye

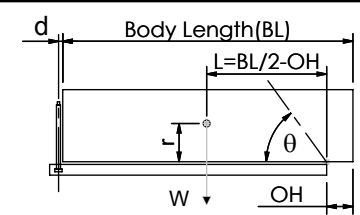
CS130S33769B19A01



## SPECIFICATION TIPPING CAPACITY : 28-44 TONNES\*\*\*

Stage	Diameter	Length	Stroke	Swept Volume
-	-	-	-	-
-	-	-	-	-
-	-	-	-	-
0	155	1475	-	-
1	136	1440	1238	18
2	117	1440	1262	14
3	98	1440	1267	10
Total (+5/-10)			3767	42
Final stroke reduced by	0	Priming Volume		14
Cylinder Mass (Kg)	120	Total Volume (Litres)		56
Maximum Pressure (Bar)	190	Max. first stage thrust		200 KN

## \*\*\*TIPPING CAPACITY AT WORKING PRESSURE



BODY LENGTH (BL)						OH
4900	5100	5300				
30	48°	29	46°	28	44°	150
35	52°	33	49°	32	47°	450
44	56°	41	53°	38	50°	750

d = 0; r = 750; Working Pressure 135 bar  
 For guidance only;  
 Higher working pressures and tipping capacities may be possible.  
 To check your application email - [applications@edbro.co.uk](mailto:applications@edbro.co.uk)

## NOTES

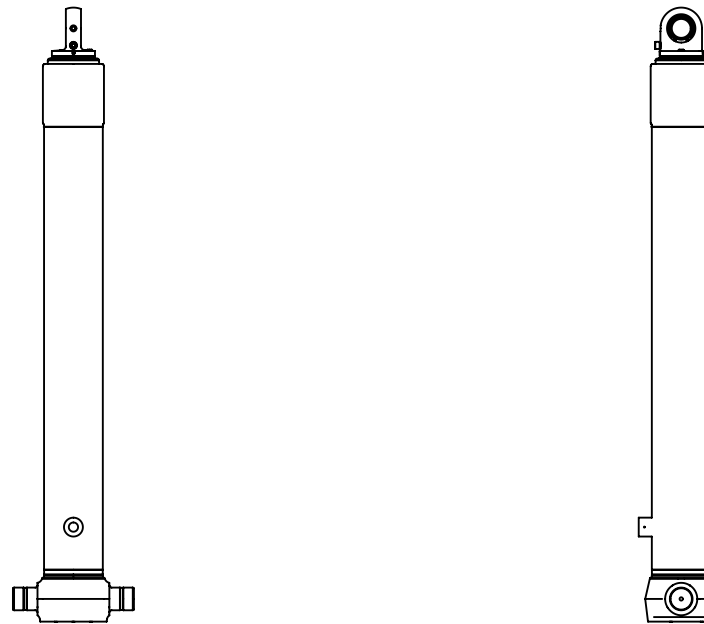
1. This cylinder is for lifting purposes only and side load conditions should be avoided
2. Cylinder is painted in primer paint to RAL5013
3. Refer to [www.edbro.com](http://www.edbro.com) for:-
  - Bracket details
  - Installation instructions that must be observed
  - Correct oil selection
  - An explanation of tipping capacity

\*Includes 9mm Pull Out.  
 Last Stage Chrome Plated



**Edbro plc**  
 Nelson Street, Bolton, England, BL3 2JJ  
 Tel +44 (0) 1204 528888 Fax +44 (0) 1204 531957  
 Email: [postmaster@edbro.com](mailto:postmaster@edbro.com) Web: [www.edbro.com](http://www.edbro.com)

Technical Specifications are subject to change without notice  
 Date Created/Updated: 12 September 2012  
 Refer [www.edbro.com](http://www.edbro.com) to confirm latest specification  
 All dimensions are in 'mm', unless otherwise stated



CS130S33769B19A01