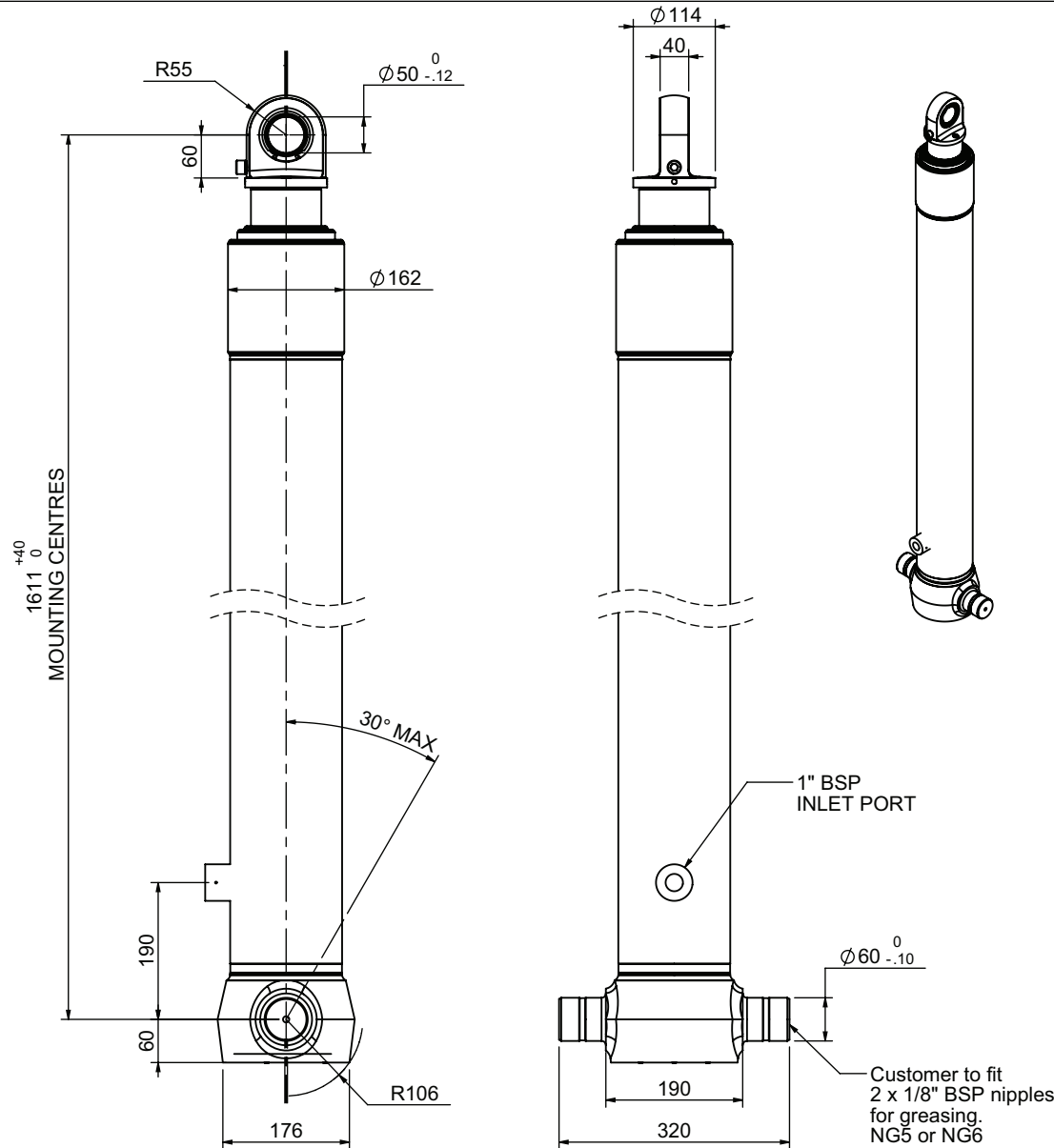


Cylinder 3 stage front end with spherical eye

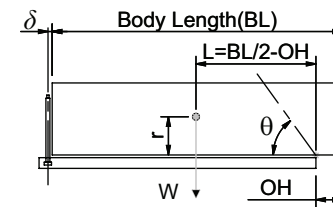
CS130S33919B19A03



SPECIFICATION		RATED CAPACITY : 30-57 TONNES***		
Stage	Diameter	Length	Stroke	Swept Volume
-	-	-	-	-
0	155	1525	-	-
1	136	1490	1288	19
2	117	1490	1312	14
3	98	1540	1317	10
Final stroke reduced by	0	Total (+5/-10)	3917	43
Cylinder Mass (Kg)	125.78	Priming Volume	14.4	
Rated Pressure (Bar)	135	Total Volume (Litres)	57.4	
Maximum Pressure (Bar)	175	Max. first stage thrust	200 KN	

***TIPPING CAPACITY AT RATED PRESSURE

d = 0 ; r = 1000



BODY LENGTH (BL)						OH
4900		5150		5400		
34	50°	32	47°	30	45°	150
41	54°	38	51°	35	48°	450
57	59°	48	55°	43	51°	750

Tipping angle (θ)
 Body + payload mass, W (tonne)

For guidance only;

Higher Rated Pressures may be possible. To check your application, email Edbro plc at <applications@edbro.co.uk>

NOTES

- If hydraulic pressure is used to limit overloading, the system relief valve must be set to the Rated Pressure unless agreed otherwise by Edbro
- The system relief valve can be set to Maximum Pressure if the load is limited by other means. See RATINGS page for advice
- This cylinder is for lifting purposes only and sload conditions must be avoided
- Cylinder is painted in primer paint to RAL5013
- See bracket options page BRKT01, BRKT02
- See installation instructions INSTALL01
- Use oil according to specification OIL01

*Include 9mm Pull Out Last Stage Chrome Plated



Edbro plc
 Nelson Street, Bolton, Lancashire BL3 2JJ UK
 Tel +44 (0) 1204 528888 Fax +44 (0) 1204 531957
 Email: postmaster@edbro.com Web: www.edbro.com

Technical Specifications are subject to change without notice
 Date Created/Updated: 27 January 2011 15:24:01
 Refer www.edbro.com to confirm latest specification
 All dimensions are in 'mm', unless otherwise stated