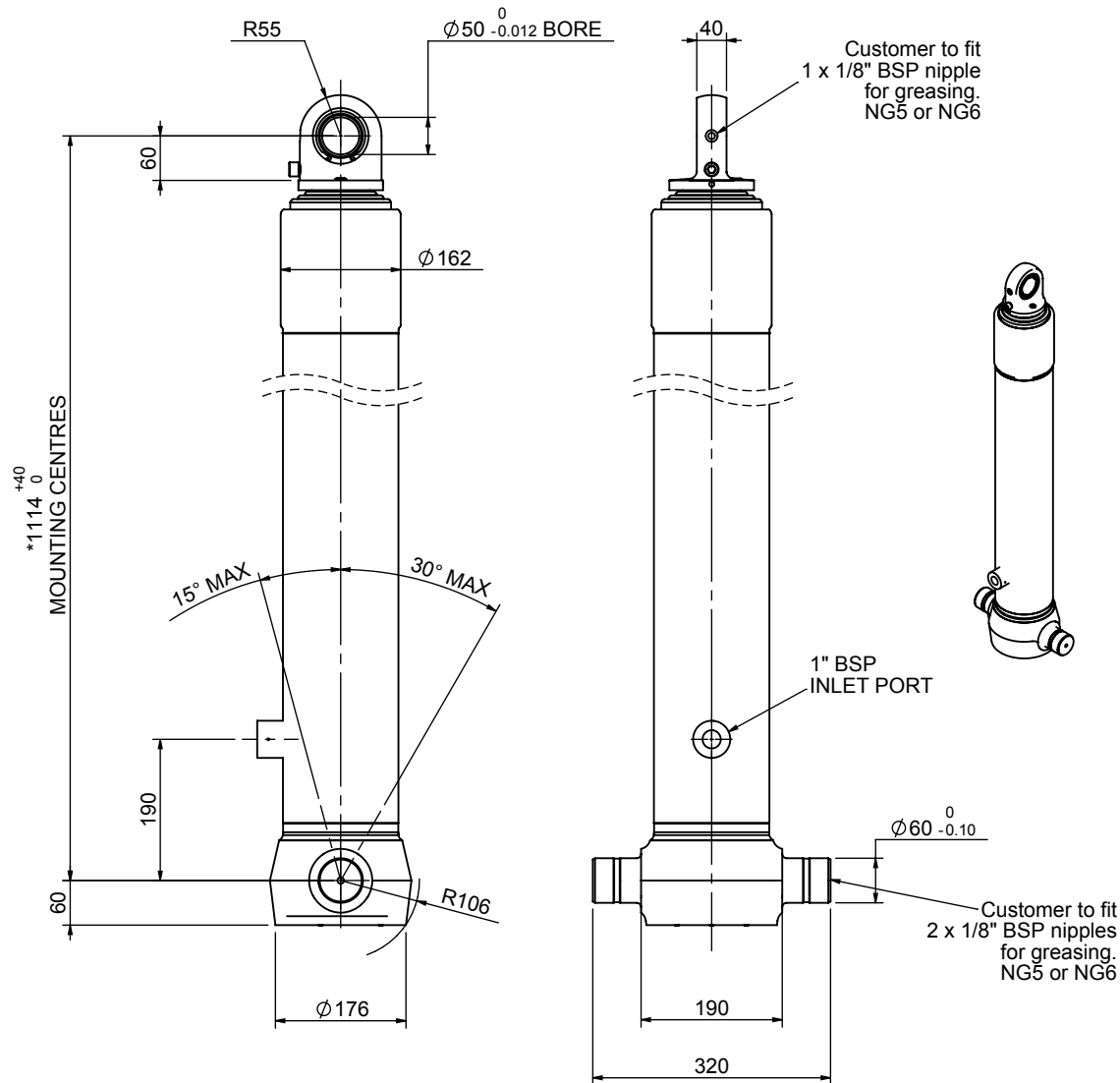


Cylinder 4 stage front end with spherical eye

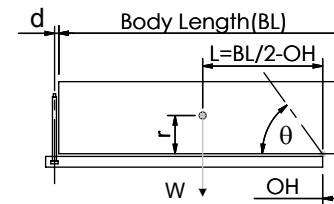


*Includes 9mm Pull Out.
Last Stage Chrome Plated

CS130S43441B19A01

SPECIFICATION		TIPPING CAPACITY : 25-47 TONNES***		
Stage	Diameter	Length	Stroke	Swept Volume
-	-	-	-	-
-	-	-	-	-
0	155	1075	-	-
1	136	1040	838	12
2	117	1040	862	9
3	98	1040	867	7
4	79	1040	872	4
Total (+5/-10)			3469	32
Final stroke reduced by	0	Priming Volume		9
Cylinder Mass (Kg)	102	Total Volume (Litres)		41
Maximum Pressure (Bar)	190	Max. first stage thrust		200 KN

***TIPPING CAPACITY AT WORKING PRESSURE



BODY LENGTH (BL)					OH	
4600	4800	5000				
28	46°	26	44°	25	42°	150
34	50°	32	48°	30	45°	450
47	55°	41	52°	37	49°	750

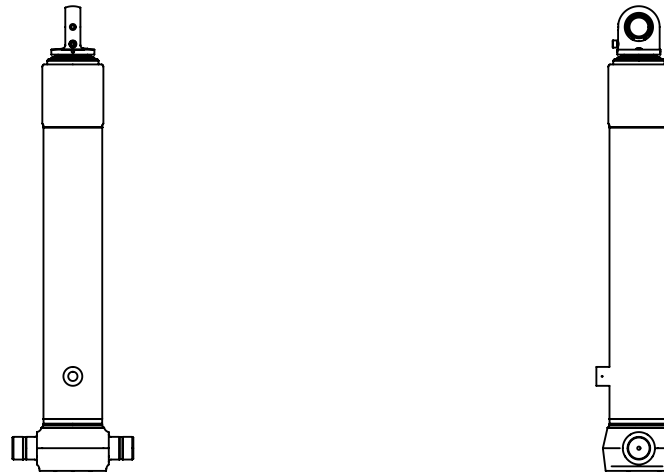
d = 0; r = 750; Working Pressure 175 bar

For guidance only;

Higher working pressures and tipping capacities may be possible.
To check your application email - applications@edbro.co.uk

NOTES

1. This cylinder is for lifting purposes only and side load conditions should be avoided
2. Cylinder is painted in primer paint to RAL5013
3. Refer to www.edbro.com for:-
 - Bracket details
 - Installation instructions that must be observed
 - Correct oil selection
 - An explanation of tipping capacity



CS130S43441B19A01