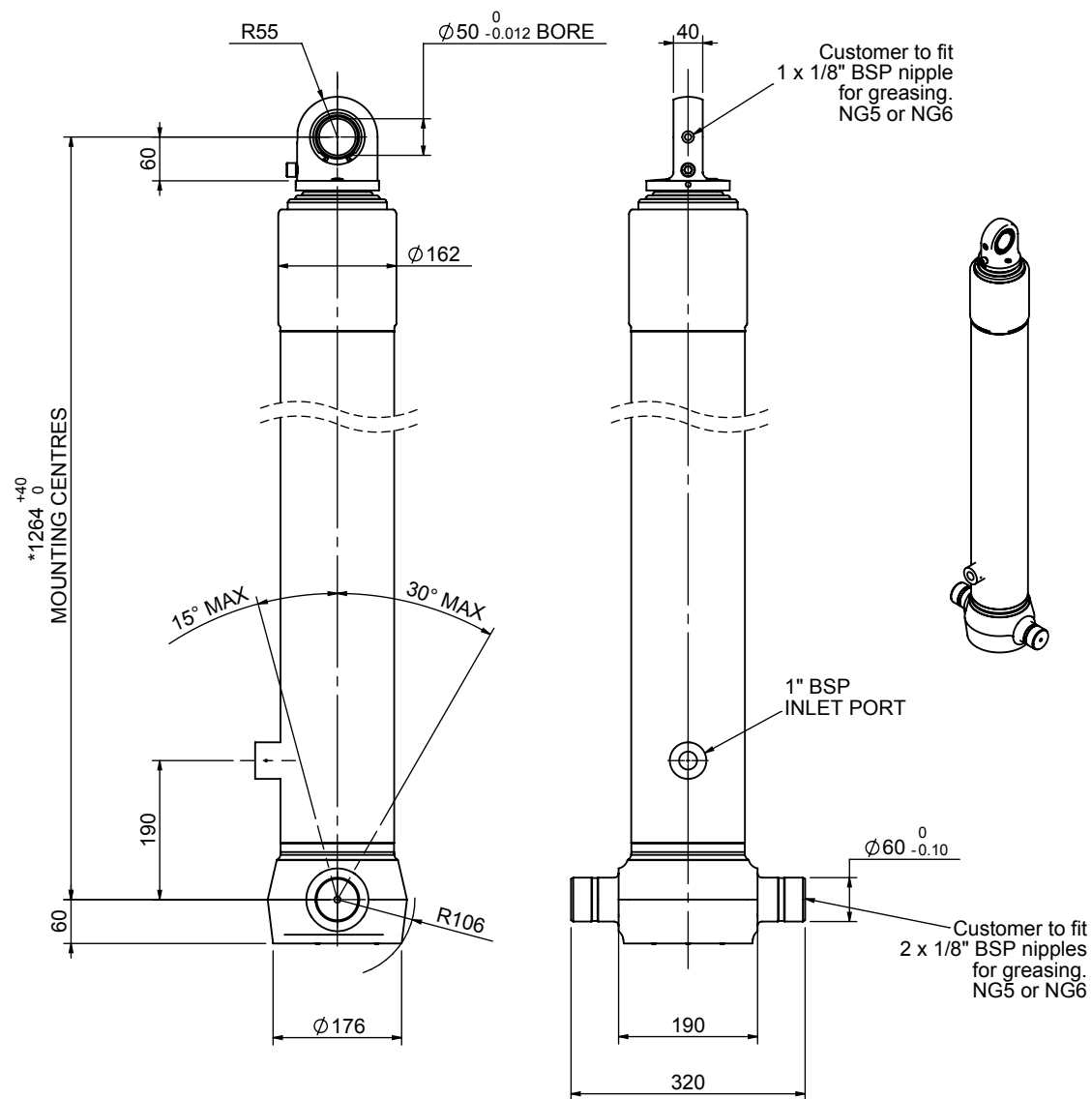


Cylinder 4 stage front end with spherical eye

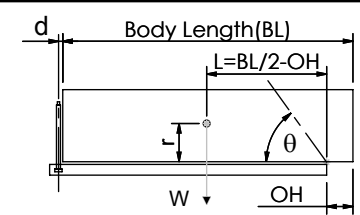
CS130S44041B19A01



SPECIFICATION TIPPING CAPACITY : 24-38 TONNES***

Stage	Diameter	Length	Stroke	Swept Volume
-	-	-	-	-
-	-	-	-	-
0	155	1225	-	-
1	136	1190	988	14
2	117	1190	1012	11
3	98	1190	1017	8
4	79	1190	1022	5
Total (+5/-10)			4039	38
Final stroke reduced by	0	Priming Volume		10
Cylinder Mass (Kg)	112	Total Volume (Litres)		48
Maximum Pressure (Bar)	190	Max. first stage thrust		200 KN

***TIPPING CAPACITY AT WORKING PRESSURE



BODY LENGTH (BL)					OH	
5350	5550	5750				
26	47°	25	45°	24	43°	150
31	50°	29	48°	28	46°	450
38	54°	35	51°	33	49°	750

$d = 0; r = 750$; Working Pressure 175 bar
For guidance only;
 Higher working pressures and tipping capacities may be possible.
 To check your application email - applications@edbro.co.uk

NOTES

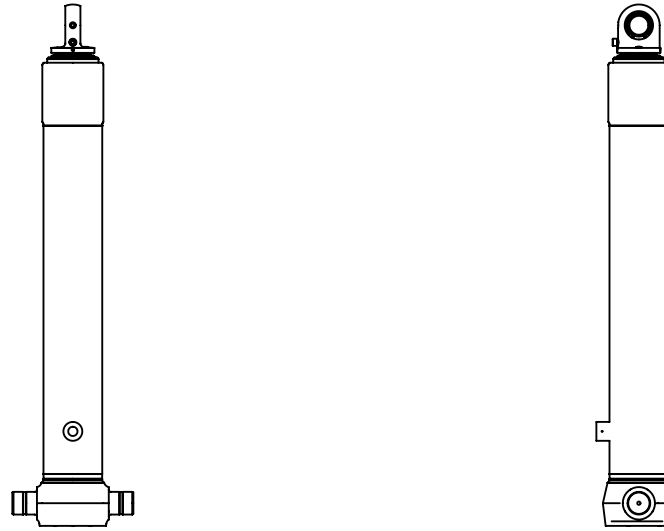
- This cylinder is for lifting purposes only and side load conditions should be avoided
- Cylinder is painted in primer paint to RAL5013
- Refer to www.edbro.com for:-
 - Bracket details
 - Installation instructions that must be observed
 - Correct oil selection
 - An explanation of tipping capacity

*Includes 9mm Pull Out.
Last Stage Chrome Plated



Edbro plc
 Nelson Street, Bolton, England, BL3 2JJ
 Tel +44 (0) 1204 528888 Fax +44 (0) 1204 531957
 Email: postmaster@edbro.com Web: www.edbro.com

Technical Specifications are subject to change without notice
 Date Created/Updated: 18 July 2012
 Refer www.edbro.com to confirm latest specification
 All dimensions are in 'mm', unless otherwise stated



CS130S44041B19A01