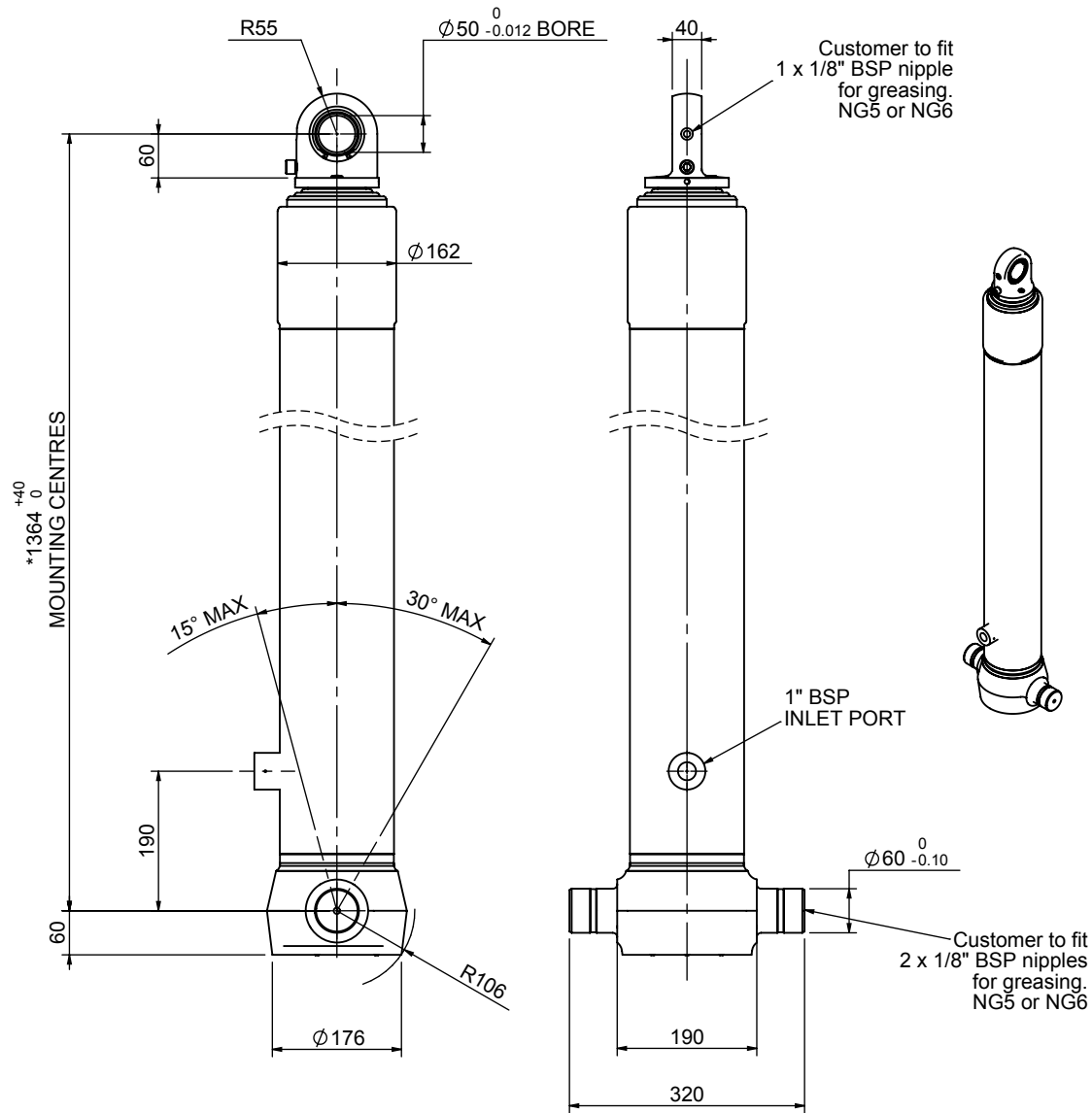


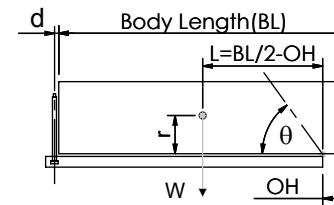
Cylinder 4 stage front end with spherical eye

CS130S44441B19A01



SPECIFICATION		TIPPING CAPACITY : 24-35 TONNES***		
Stage	Diameter	Length	Stroke	Swept Volume
-	-	-	-	-
-	-	-	-	-
0	155	1325	-	-
1	136	1290	1088	16
2	117	1290	1112	12
3	98	1290	1117	8
4	79	1290	1122	6
Total (+5/-10)			4439	1457
Final stroke reduced by	0	Priming Volume		11
Cylinder Mass (Kg)	120	Total Volume (Litres)		1468
Maximum Pressure (Bar)	190	Max. first stage thrust		200 KN

***TIPPING CAPACITY AT WORKING PRESSURE



BODY LENGTH (BL)						OH
5850		6100		6350		
25	47°	25	45°	24	43°	150
29	50°	28	47°	26	45°	450
35	53°	32	50°	30	49°	750

d = 0; r = 750; Working Pressure 175 bar

For guidance only;

Higher working pressures and tipping capacities may be possible.
To check your application email - applications@edbro.co.uk

NOTES

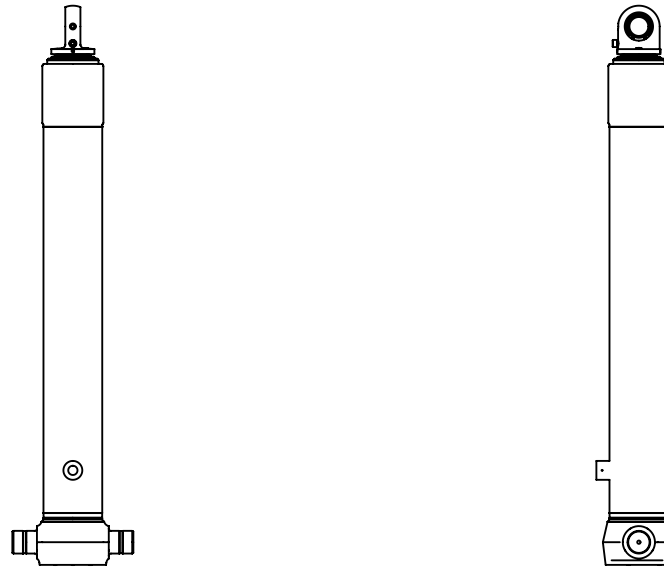
- This cylinder is for lifting purposes only and side load conditions should be avoided
- Cylinder is painted in primer paint to RAL5013
- Refer to www.edbro.com for:-
 - Bracket details
 - Installation instructions that must be observed
 - Correct oil selection
 - An explanation of tipping capacity

*Includes 9mm Pull Out.



Edbro plc
Nelson Street, Bolton, England, BL3 2JJ
Tel +44 (0) 1204 528888 Fax +44 (0) 1204 531957
Email: postmaster@edbro.com Web: www.edbro.com

Technical Specifications are subject to change without notice
Date Created/Updated: 18 July 2012
Refer www.edbro.com to confirm latest specification
All dimensions are in 'mm', unless otherwise stated



CS130S44441B19A01