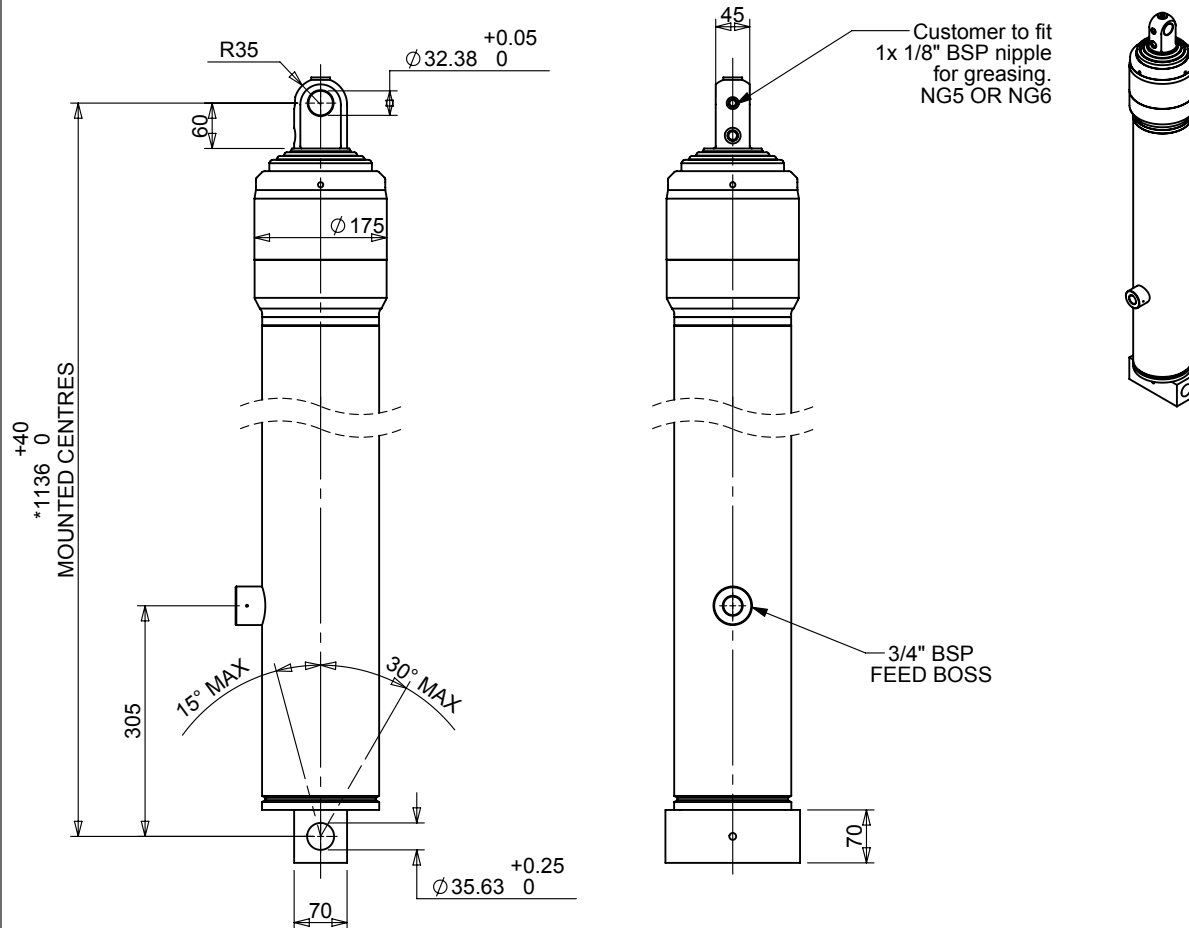


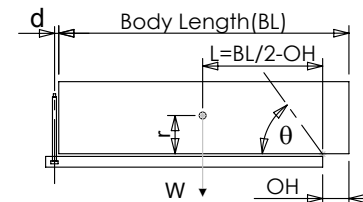
# Cylinder 4 stage front end with plain eye

## CS13EE403241A200



SPECIFICATION		TIPPING CAPACITY : SEE BELOW***		
Stage	Diameter	Length	Stroke	Swept Volume
-	-	-	-	-
-	-	-	-	-
0	155	970	-	-
1	136	990	790	11.5
2	117	990	812	8.7
3	98	990	817	6.2
4	79	990	822	4.0
Total (+5/-10)			3241	30.4
Final stroke reduced by	0	Priming Volume		9.5
Cylinder Mass (kg)	90	Total Volume (Litres)		39.9
Maximum Pressure (Bar)	150	Max. first stage thrust		225 kN

### \*\*\*TIPPING CAPACITY AT WORKING PRESSURE



BODY LENGTH (BL)						OH
8500		9000		9500		
51	50°	48	47°	46	44°	150
55	52°	52	49°	49	46°	450
61	54°	56	51°	53	48°	750

d = 0; r = 900; Working Pressure 135 bar

#### For guidance only;

Higher working pressures and tipping capacities may be possible.

To check your application email - [applications@edbro.co.uk](mailto:applications@edbro.co.uk)

#### NOTES

1. This cylinder is for lifting purposes only and side load conditions should be avoided
2. Cylinder is painted in primer paint to RAL5013
3. Refer to [www.edbro.com](http://www.edbro.com) for;-
  - Bracket details
  - Installation instructions that must be observed
  - Correct oil selection
  - An explanation of tipping capacity

\*Includes 10mm Pull Out. All Stages Chrome Plated



**JOST UK Ltd**  
 Edbro House, Nelson Street, Bolton, England, BL3 2JJ  
 Tel +44 (0) 1204 528888 Fax +44 (0) 1204 531957  
 Email: [sales@edbro.com](mailto:sales@edbro.com) Web: [www.edbro.com](http://www.edbro.com)

Technical Specifications are subject to change without notice  
 Date Created/Updated: 03 August 2017  
 Refer [www.edbro.com](http://www.edbro.com) to confirm latest specification  
 All dimensions are in 'mm', unless otherwise stated



CS13EE403241A200