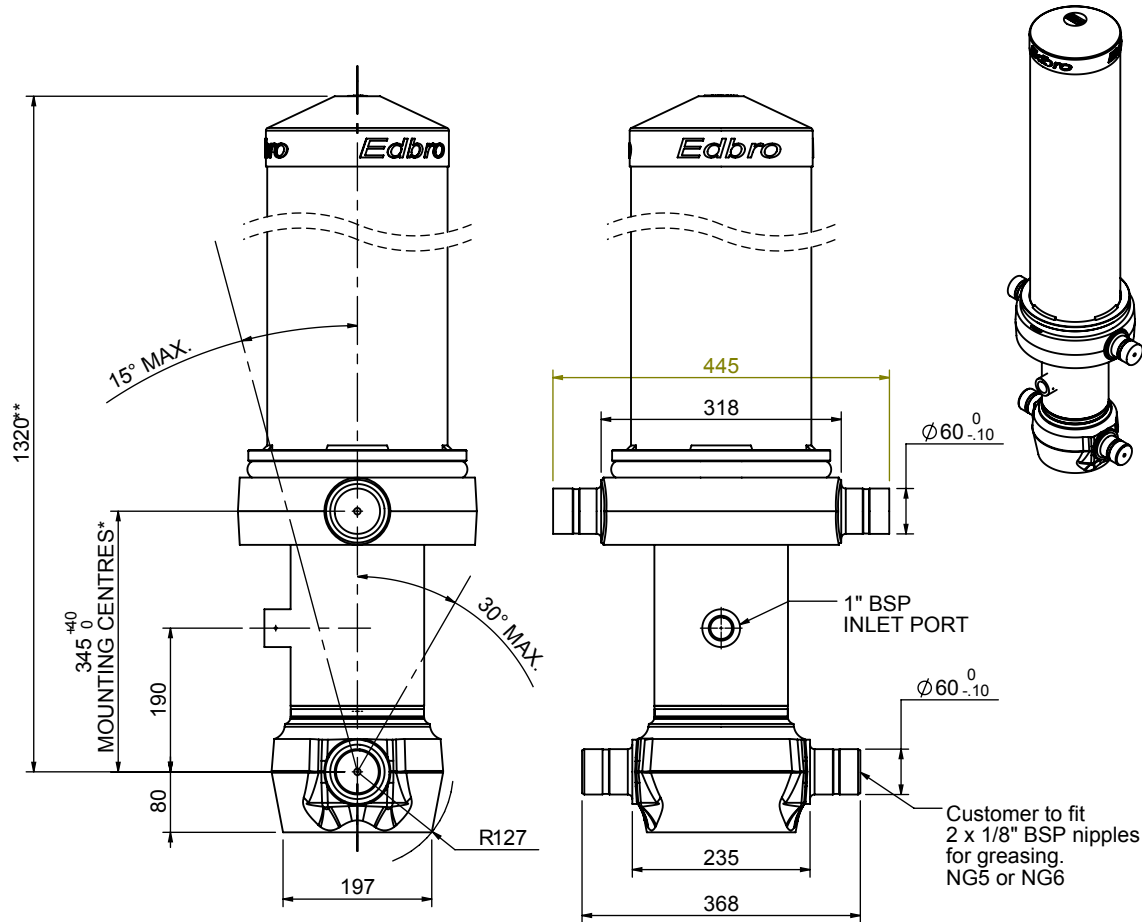


Cylinder 4 stage front end with Outer Cover

****ALLOW 50mm TO REMOVE CAP FOR SERVICING**



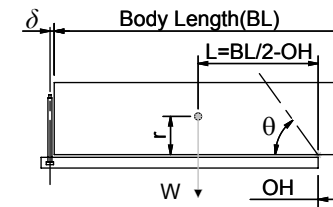
***Include 11mm Pull Out
All Stages Chrome Plated**

CS150044206B19A11C

SPECIFICATION		RATED CAPACITY : 34-55 TONNES***		
Stage	Diameter	Length	Stroke	Swept Volume
-	-	-	-	-
OUTER COVER	239	940	-	-
0	177	1275	-	-
1	155	1240	1025	19
2	136	1240	1047	15
3	117	1240	1062	11
4	98	1240	1067	8
Final stroke reduced by	0	Total (+5/-10)	4201	53
Cylinder Mass (Kg)	208.26	Priming Volume	13.8	
Rated Pressure (Bar)	150	Total Volume (Litres)	66.8	
Maximum Pressure (Bar)	175	Max. first stage thrust	230 KN	

***TIPPING CAPACITY AT RATED PRESSURE

d = 229 ; r = 750



BODY LENGTH (BL)					OH	
5250		5500		5750		
37	47°	35	45°	34	42°	150
44	50°	41	47°	38	45°	450
55	53°	49	50°	45	48°	750

Tipping angle (θ)
Body + payload mass, W (tonne)

For guidance only;

Higher Rated Pressures may be possible. To check your application, email Edbro plc at <applications@edbro.co.uk>

NOTES

- If hydraulic pressure is used to limit overloading, the system relief valve must be set to the Rated Pressure unless agreed otherwise by Edbro
- The system relief valve can be set to Maximum Pressure if the load is limited by other means. See RATINGS page for advice
- This cylinder is for lifting purposes only and sideload conditions must be avoided
- Cylinder is painted in primer paint to RAL5013
- See bracket options page BRKT01, BRKT02
- See installation instructions INSTALL01
- Use oil according to specification OIL01