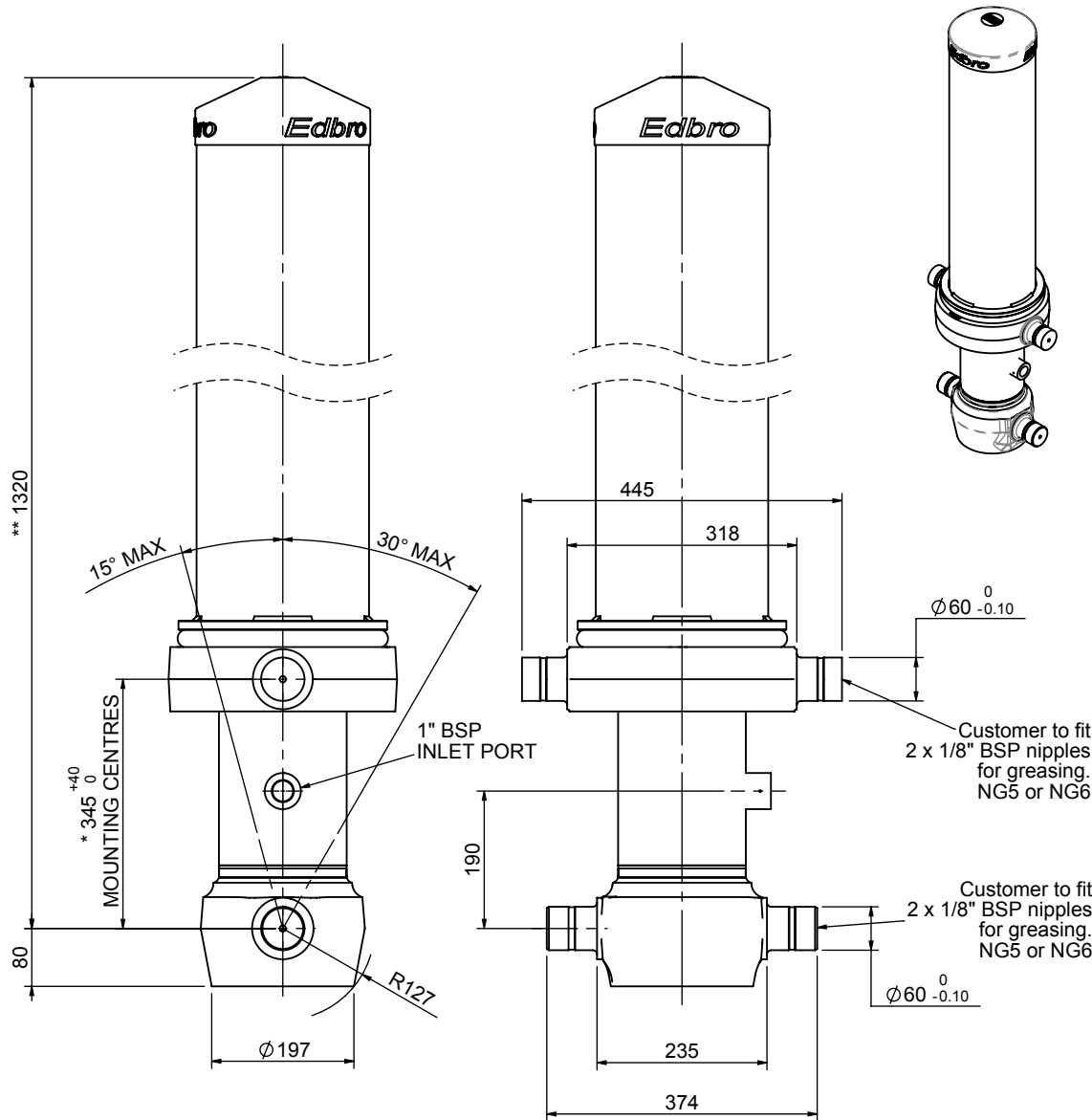


Cylinder 4 stage front end with outer cover

****ALLOW 50mm TO REMOVE CAP FOR SERVICING**

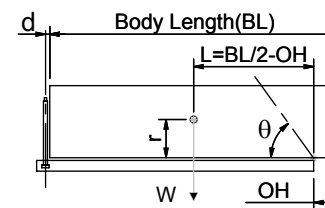


*Includes 11mm Pull Out.

CS150044206N19A11

SPECIFICATION		TIPPING CAPACITY : 37-57 TONNES***		
Stage	Diameter	Length	Stroke	Swept Volume
-	-	-	-	-
OUTER COVER	239	940	-	-
0	177	1275	-	-
1	155	1240	1025	19
2	136	1240	1047	15
3	117	1240	1062	11
4	98	1240	1067	8
Total (+5/-10)			5318	53
Final stroke reduced by	0	Priming Volume		14
Cylinder Mass (Kg)	206	Total Volume (Litres)		67
Maximum Pressure (Bar)	190	Max. first stage thrust		225 KN

***TIPPING CAPACITY AT WORKING PRESSURE



BODY LENGTH (BL)						OH
5400	5650	5900				
40	45°	38	43°	37	41°	150
46	48°	43	46°	41	44°	450
57	51°	52	49°	48	46°	750

$d = 229; r = 750; \text{Working Pressure } 165 \text{ bar}$

Tipping angle (θ)

Body + payload mass, W (tonne)

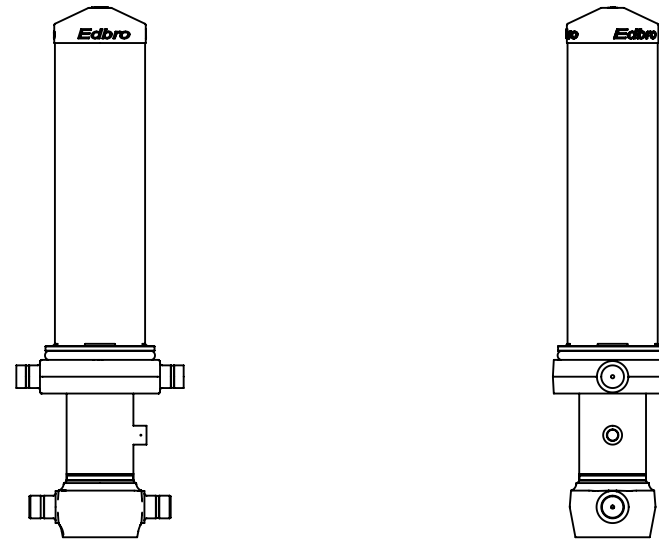
For guidance only;

Higher working pressures and tipping capacities may be possible.

To check your application email - applications@edbro.co.uk

NOTES

1. This cylinder is for lifting purposes only and side load conditions should be avoided
2. Cylinder is painted in primer paint to RAL5013
3. Refer to www.edbro.com for;-
 - Bracket details
 - Installation instructions that must be observed
 - Correct oil selection
 - An explanation of tipping capacity



CS150044206N19A11