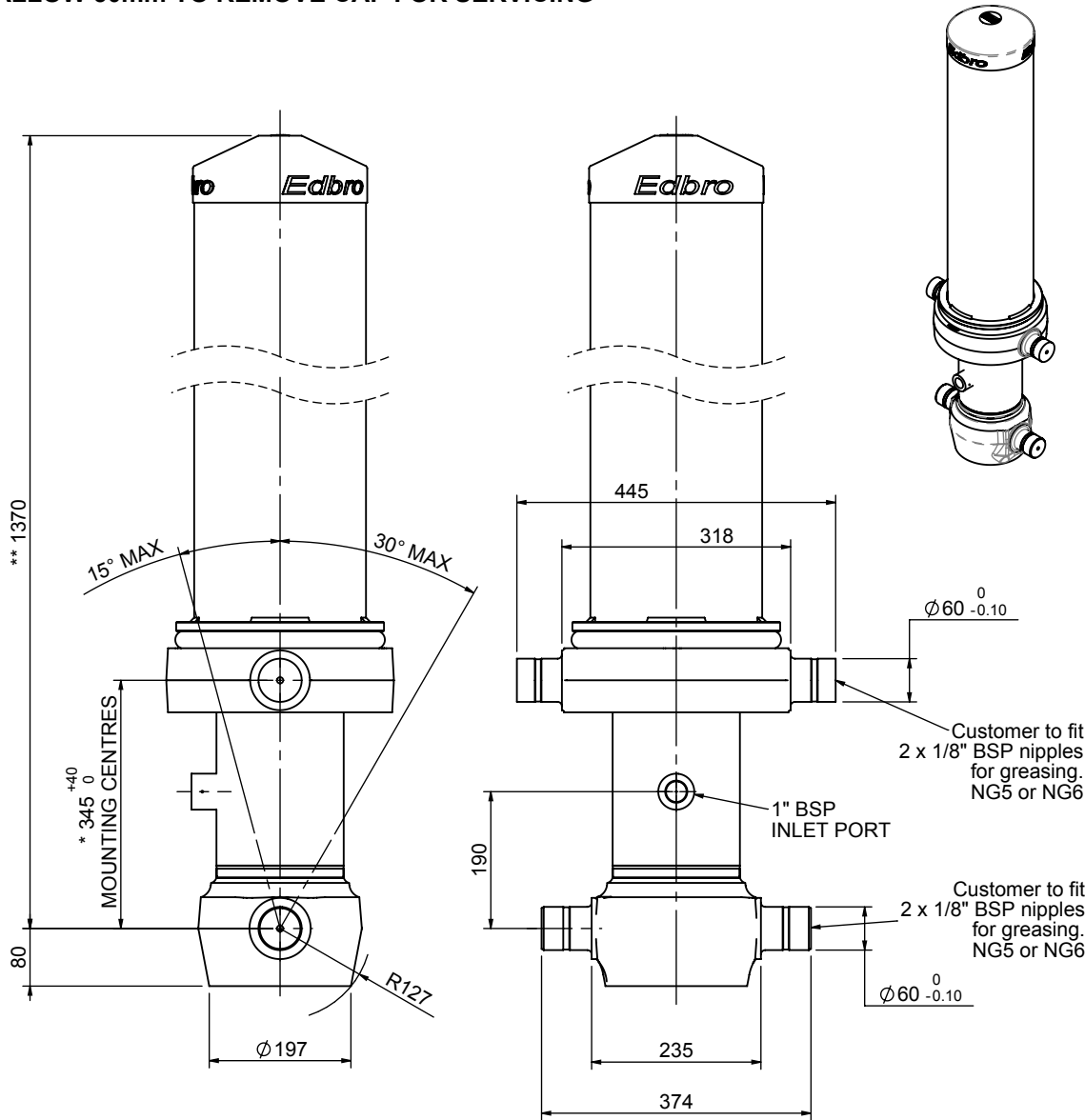


# Cylinder 4 stage front end with outer cover

**\*\*ALLOW 50mm TO REMOVE CAP FOR SERVICING**

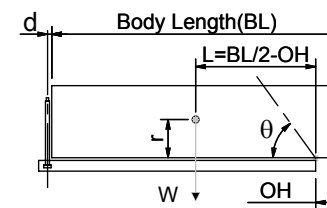


\*Includes 11mm Pull Out.

# CS150044406B19A11

SPECIFICATION		TIPPING CAPACITY : 37-56 TONNES***		
Stage	Diameter	Length	Stroke	Swept Volume
-	-	-	-	-
OUTER COVER	239	990	-	-
0	177	1325	-	-
1	155	1290	1075	20
2	136	1290	1097	16
3	117	1290	1112	12
4	98	1290	1117	8
Total (+5/-10)			5568	56
Final stroke reduced by	0	Priming Volume		14
Cylinder Mass (Kg)	212	Total Volume (Litres)		70
Maximum Pressure (Bar)	190	Max. first stage thrust		225 KN

### \*\*\*TIPPING CAPACITY AT WORKING PRESSURE



BODY LENGTH (BL)						OH
5550	5800	6050				
40	46°	38	44°	37	42°	150
46	49°	44	47°	41	45°	450
56	52°	51	50°	48	47°	750

d = 229; r = 750; Working Pressure 165 bar

Tipping angle (θ)  
Body + payload mass, W (tonne)

### For guidance only;

Higher working pressures and tipping capacities may be possible.  
To check your application email - [applications@edbro.co.uk](mailto:applications@edbro.co.uk)

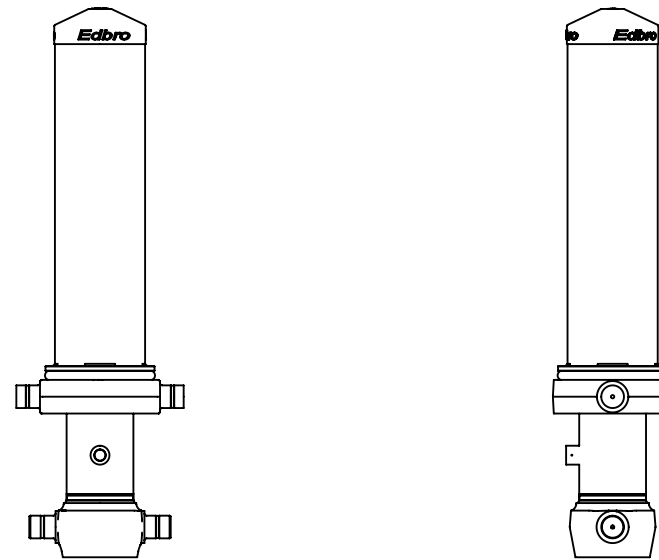
### NOTES

1. This cylinder is for lifting purposes only and side load conditions should be avoided
2. Cylinder is painted in primer paint to RAL5013
3. Refer to [www.edbro.com](http://www.edbro.com) for:-
  - Bracket details
  - Installation instructions that must be observed
  - Correct oil selection
  - An explanation of tipping capacity



**Edbro plc**  
Nelson Street, Bolton, England, BL3 2JJ  
Tel +44 (0) 1204 528888 Fax +44 (0) 1204 531957  
Email: [postmaster@edbro.com](mailto:postmaster@edbro.com) Web: [www.edbro.com](http://www.edbro.com)

Technical Specifications are subject to change without notice  
Date Created/Updated: 31 August 2012  
Refer [www.edbro.com](http://www.edbro.com) to confirm latest specification  
All dimensions are in 'mm', unless otherwise stated



CS150044406B19A11