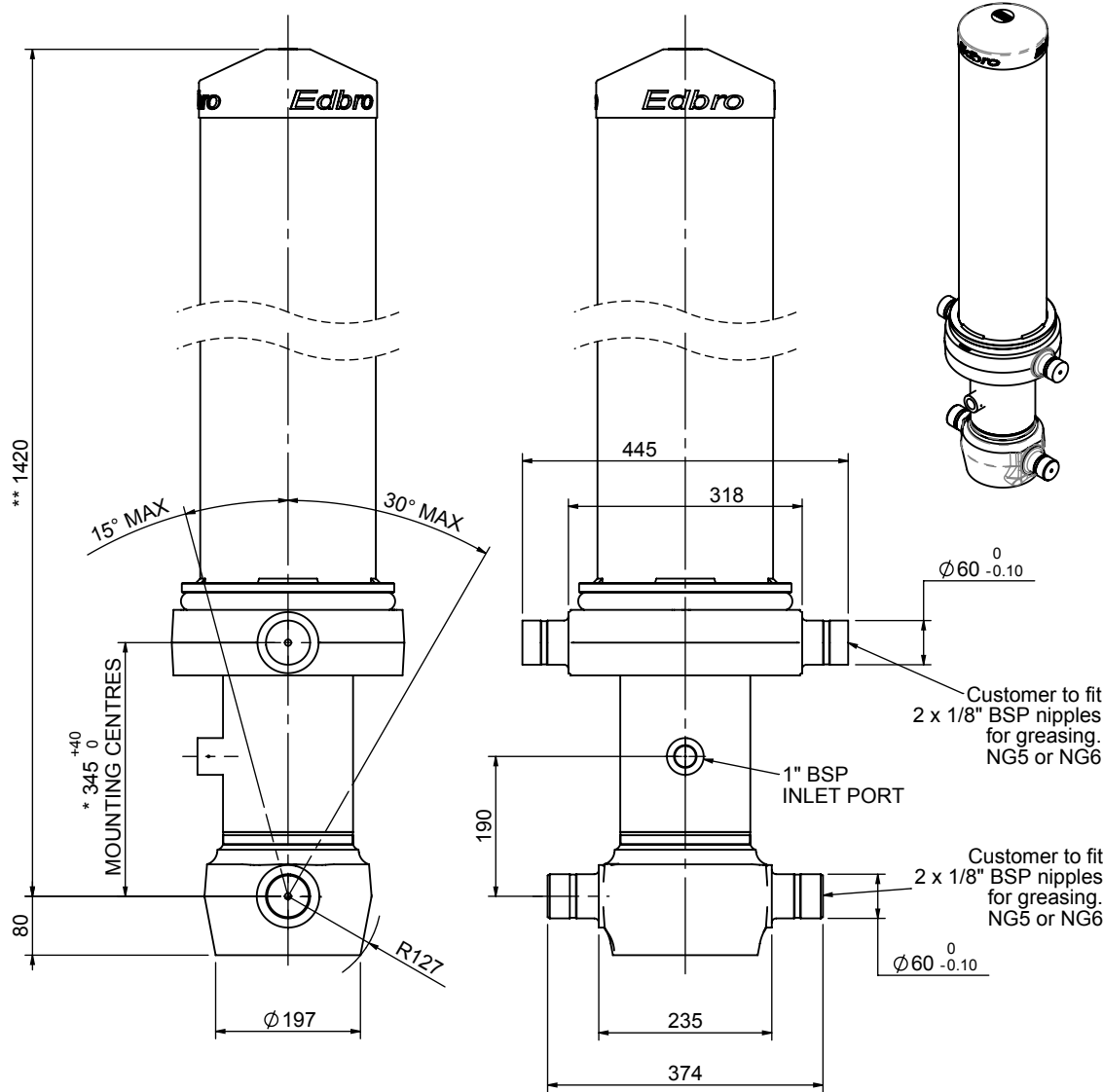


# Cylinder 4 stage front end with outer cover

**\*\*ALLOW 50mm TO REMOVE CAP FOR SERVICING**

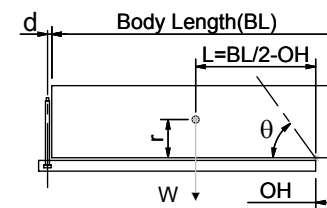


\*Includes 11mm Pull Out.

# CS150044606B19A11

SPECIFICATION		TIPPING CAPACITY : 37-56 TONNES***		
Stage	Diameter	Length	Stroke	Swept Volume
-	-	-	-	-
OUTER COVER	239	1040	-	-
0	177	1375	-	-
1	155	1340	1125	21
2	136	1340	1147	17
3	117	1340	1162	12
4	98	1340	1167	9
Total (+5/-10)			5818	59
Final stroke reduced by	0	Priming Volume		15
Cylinder Mass (Kg)	217	Total Volume (Litres)		74
Maximum Pressure (Bar)	190	Max. first stage thrust		225 KN

## \*\*\*TIPPING CAPACITY AT WORKING PRESSURE



BODY LENGTH (BL)						OH
5700	5950	6200				
40	47°	38	45°	37	43°	150
46	50°	44	48°	41	46°	450
56	53°	51	51°	48	48°	750

$d = 229$ ;  $r = 750$ ; Working Pressure 165 bar

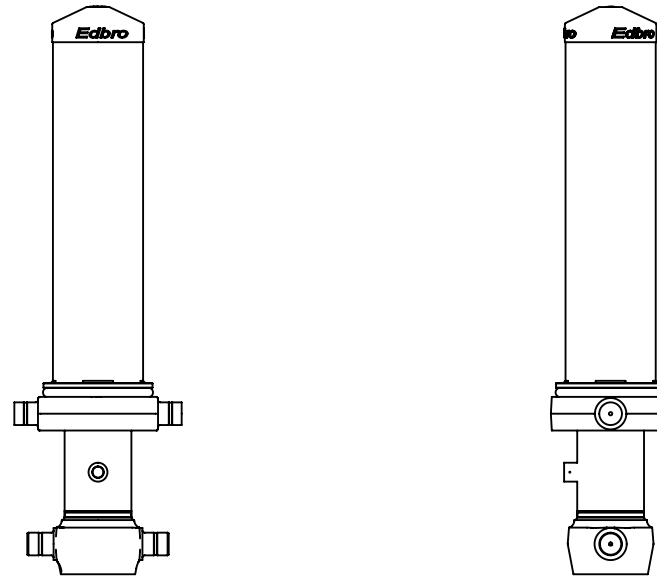
### For guidance only;

Higher working pressures and tipping capacities may be possible.

To check your application email - [applications@edbro.co.uk](mailto:applications@edbro.co.uk)

## NOTES

1. This cylinder is for lifting purposes only and side load conditions should be avoided
2. Cylinder is painted in primer paint to RAL5013
3. Refer to [www.edbro.com](http://www.edbro.com) for:-
  - Bracket details
  - Installation instructions that must be observed
  - Correct oil selection
  - An explanation of tipping capacity



CS150044606B19A11