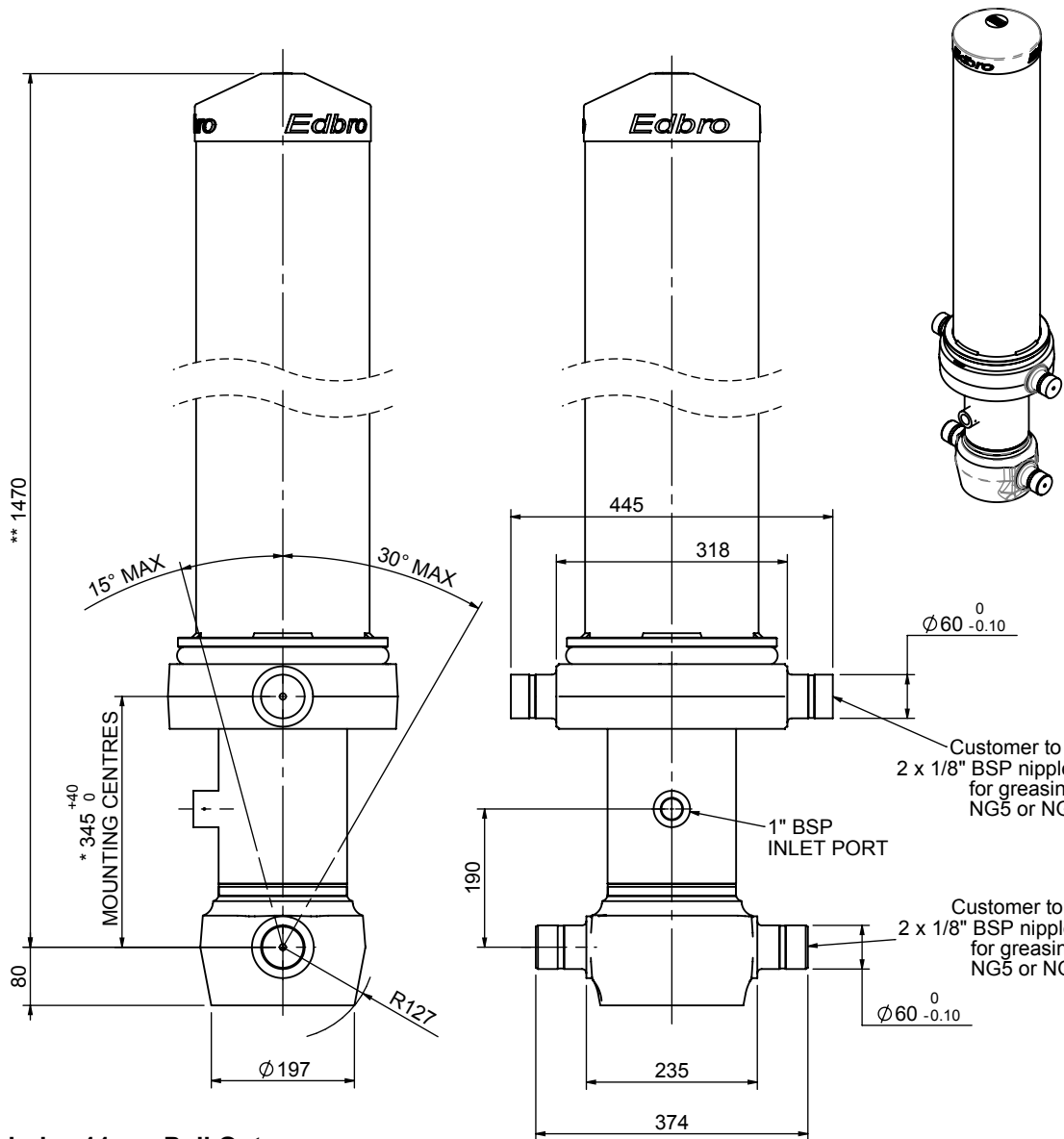


Cylinder 4 stage front end with outer cover

****ALLOW 50mm TO REMOVE CAP FOR SERVICING**

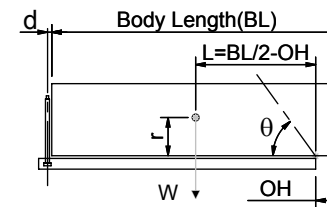


*Includes 11mm Pull Out.

CS150044806B19A11

SPECIFICATION		TIPPING CAPACITY : 37-55 TONNES***		
Stage	Diameter	Length	Stroke	Swept Volume
-	-	-	-	-
OUTER COVER	239	1090	-	-
0	177	1425	-	-
1	155	1390	1175	22
2	136	1390	1197	17
3	117	1390	1212	13
4	98	1390	1217	9
Total (+5/-10)			6068	61
Final stroke reduced by	0	Priming Volume		16
Cylinder Mass (Kg)	223	Total Volume (Litres)		77
Maximum Pressure (Bar)	190	Max. first stage thrust		225 KN

***TIPPING CAPACITY AT WORKING PRESSURE



BODY LENGTH (BL)						OH
5850	6100	6350				
40	48°	38	46°	37	44°	150
46	51°	44	49°	41	46°	450
55	54°	51	51°	48	49°	750

$d = 229$; $r = 750$; Working Pressure 165 bar

Tipping angle (θ)

Body + payload mass, W (tonne)

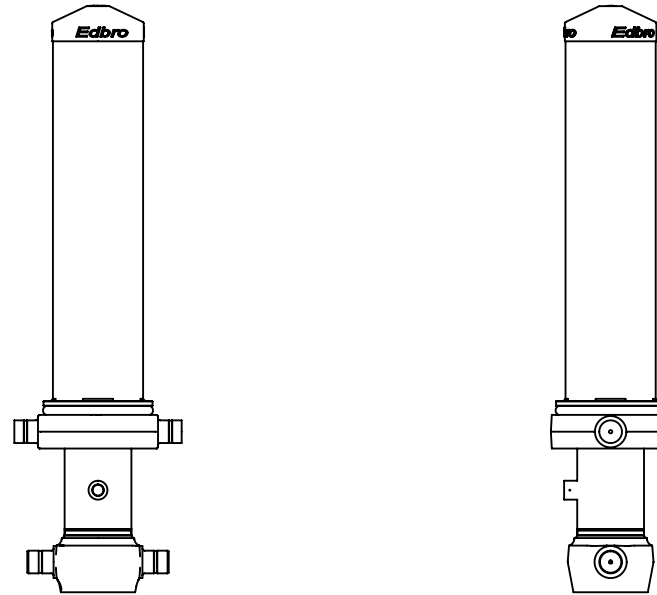
For guidance only;

Higher working pressures and tipping capacities may be possible.

To check your application email - applications@edbro.co.uk

NOTES

1. This cylinder is for lifting purposes only and side load conditions should be avoided
2. Cylinder is painted in primer paint to RAL5013
3. Refer to www.edbro.com for;-
 - Bracket details
 - Installation instructions that must be observed
 - Correct oil selection
 - An explanation of tipping capacity



CS150044806B19A11