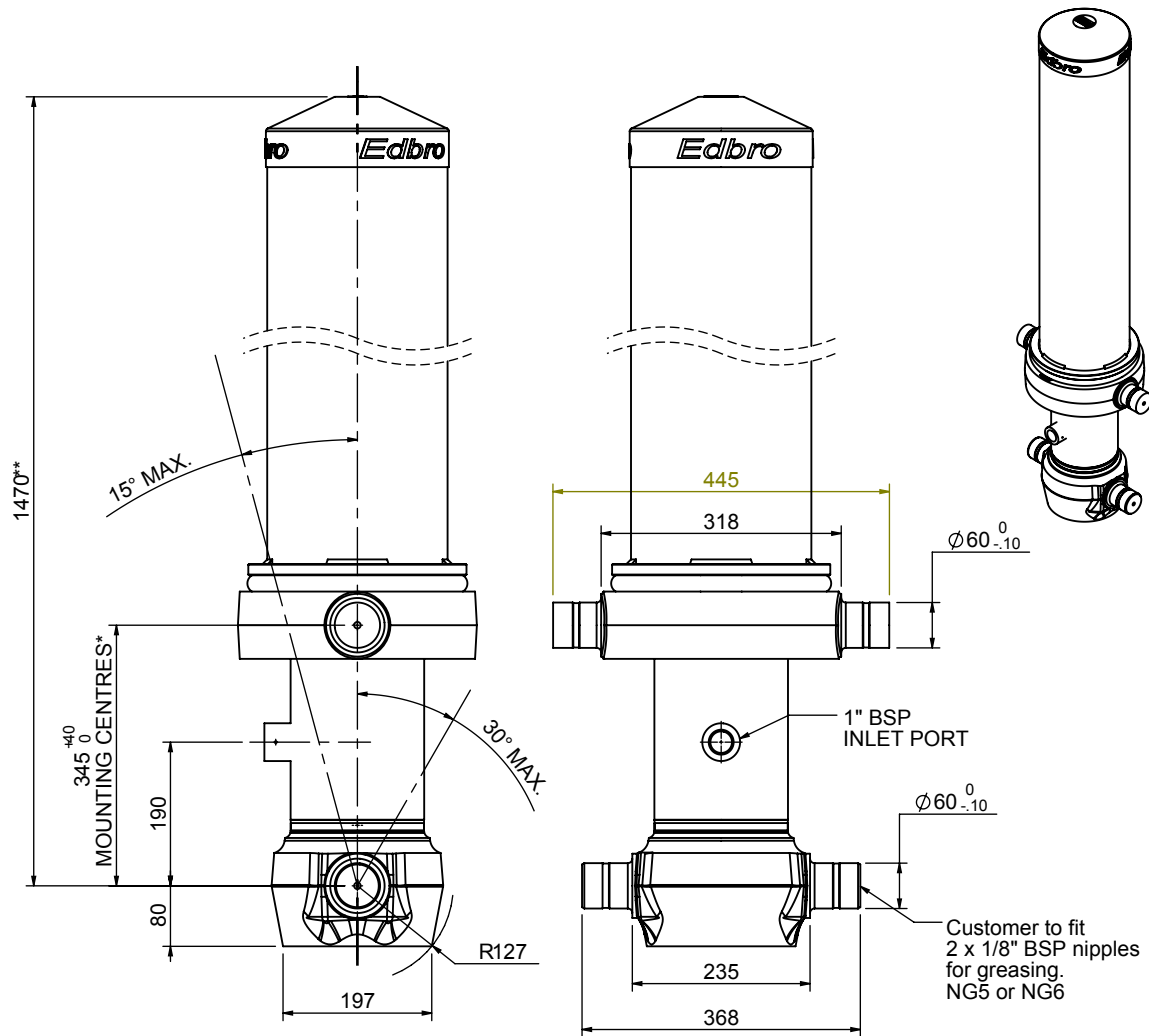


Cylinder 4 stage front end with Outer Cover

****ALLOW 50mm TO REMOVE CAP FOR SERVICING**



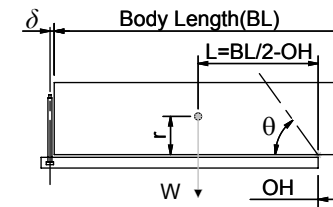
***Include 11mm Pull Out
All Stages Chrome Plated**

CS150044806B19A11C

SPECIFICATION		RATED CAPACITY : 35-55 TONNES***		
Stage	Diameter	Length	Stroke	Swept Volume
-	-	-	-	-
OUTER COVER	239	1090	-	-
0	177	1425	-	-
1	155	1390	1175	22
2	136	1390	1197	17
3	117	1390	1212	13
4	98	1390	1217	9
Final stroke reduced by	0	Total (+5/-10)	4801	61
Cylinder Mass (Kg)	225.67	Priming Volume	15.7	
Rated Pressure (Bar)	165	Total Volume (Litres)	76.7	
Maximum Pressure (Bar)	175	Max. first stage thrust	230 KN	

***TIPPING CAPACITY AT RATED PRESSURE

d = 229 ; r = 750



		BODY LENGTH (BL)			OH	
		5850	6350	6850		
40	48°	37	44°	35	41°	150
46	51°	41	46°	38	43°	450
55	54°	47	49°	43	45°	750

Tipping angle (θ)
Body + payload mass, W (tonne)

For guidance only;

Higher Rated Pressures may be possible. To check your application, email Edbro plc at <applications@edbro.co.uk>

NOTES

- If hydraulic pressure is used to limit overloading, the system relief valve must be set to the Rated Pressure unless agreed otherwise by Edbro
- The system relief valve can be set to Maximum Pressure if the load is limited by other means. See RATINGS page for advice
- This cylinder is for lifting purposes only and sload conditions must be avoided
- Cylinder is painted in primer paint to RAL5013
- See bracket options page BRKT01, BRKT02
- See installation instructions INSTALL01
- Use oil according to specification OIL01