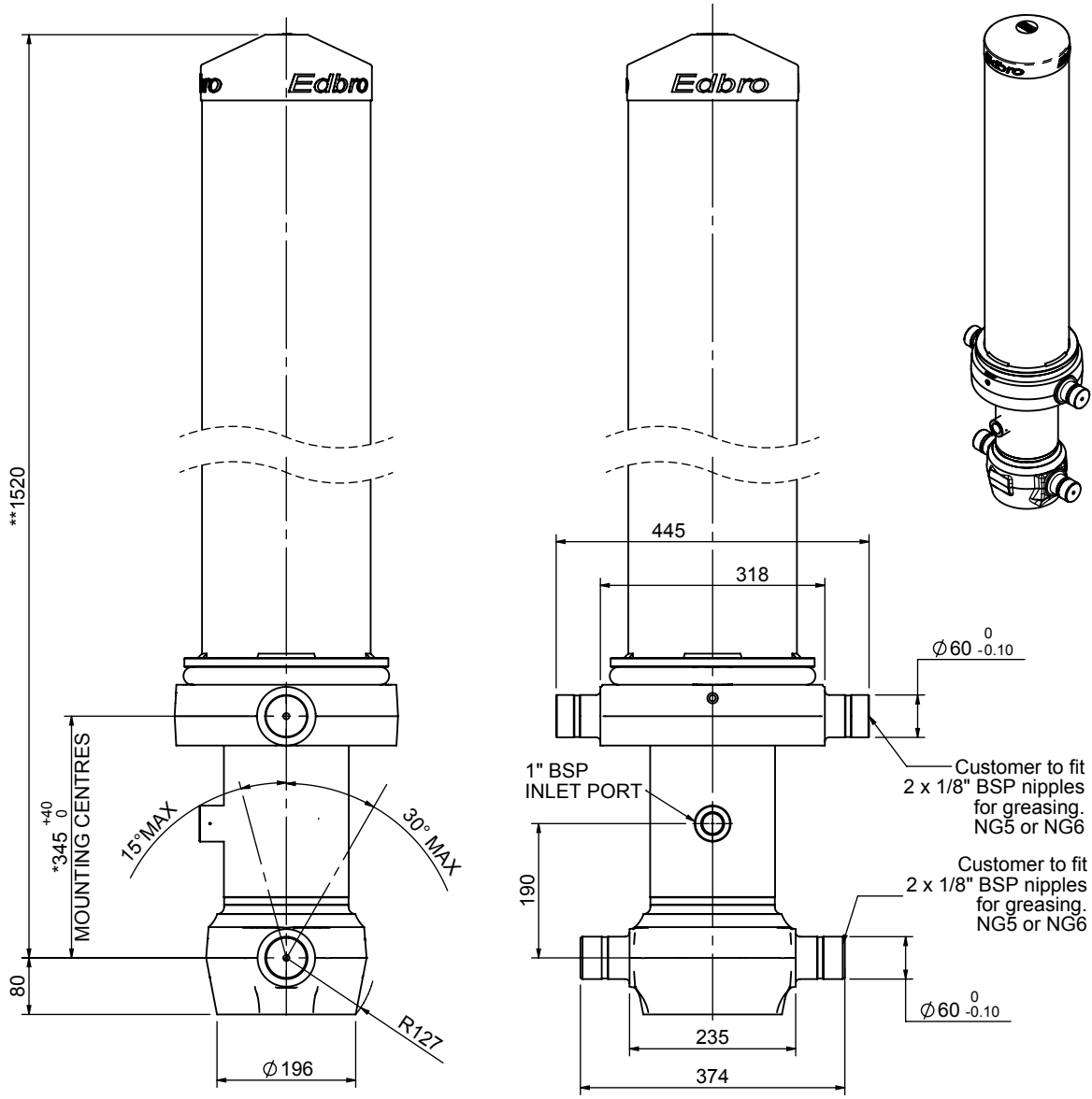


# Cylinder 4 stage front end with outer cover

**\*\*ALLOW 50mm TO REMOVE CAP FOR SERVICING**

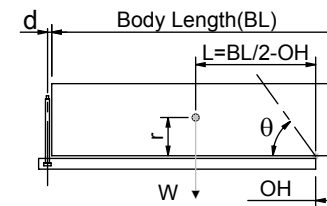


**\*Includes 11mm Pull Out. All Stages Chrome Plated**

# CS150045006B19A11C

| SPECIFICATION           |          | TIPPING CAPACITY : 32-50 TONNES*** |        |              |
|-------------------------|----------|------------------------------------|--------|--------------|
| Stage                   | Diameter | Length                             | Stroke | Swept Volume |
| -                       | -        | -                                  | -      | -            |
| OUTER COVER             | 239      | 1140                               | -      | -            |
| 0                       | 177      | 1475                               | -      |              |
| 1                       | 155      | 1440                               | 1225   | 23           |
| 2                       | 136      | 1440                               | 1247   | 18           |
| 3                       | 117      | 1440                               | 1262   | 14           |
| 4                       | 98       | 1440                               | 1267   | 10           |
| Total (+5/-10)          |          |                                    |        | 65           |
| Final stroke reduced by | 0        | Priming Volume                     |        | 16           |
| Cylinder Mass (Kg)      | 229      | Total Volume (Litres)              |        | 81           |
| Maximum Pressure (Bar)  | 190      | Max. first stage thrust            |        | 225 KN       |

## \*\*\*TIPPING CAPACITY AT WORKING PRESSURE



| BODY LENGTH (BL) |     |      |     |      |     | OH  |
|------------------|-----|------|-----|------|-----|-----|
| 6000             |     | 6500 |     | 7000 |     |     |
| 37               | 49° | 34   | 45° | 32   | 42° | 150 |
| 42               | 52° | 38   | 47° | 35   | 44° | 450 |
| 50               | 55° | 43   | 50° | 39   | 46° | 750 |

d = 229; r = 750; Working Pressure 150 bar

Tipping angle ( $\theta$ )

Body + payload mass, W (tonne)

### For guidance only;

Higher working pressures and tipping capacities may be possible.

To check your application email - [applications@edbro.co.uk](mailto:applications@edbro.co.uk)

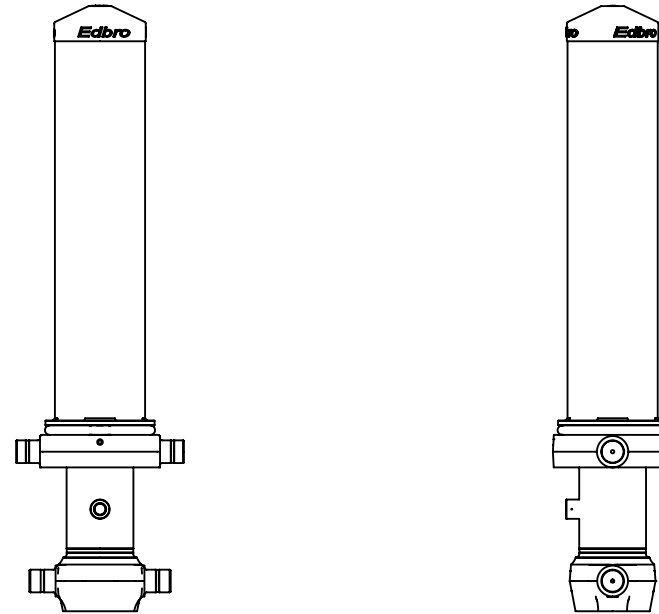
### NOTES

1. This cylinder is for lifting purposes only and side load conditions should be avoided
2. Cylinder is painted in primer paint to RAL5013
3. Refer to [www.edbro.com](http://www.edbro.com) for;-
  - Bracket details
  - Installation instructions that must be observed
  - Correct oil selection
  - An explanation of tipping capacity



**JOST UK Ltd**  
 Edbro House, Nelson Street, Bolton, England, BL3 2JJ  
 Tel +44 (0) 1204 528888 Fax +44 (0) 1204 531957  
 Email: [sales@edbro.com](mailto:sales@edbro.com) Web: [www.edbro.com](http://www.edbro.com)

Technical Specifications are subject to change without notice  
 Date Created/Updated: 12 February 2016  
 Refer [www.edbro.com](http://www.edbro.com) to confirm latest specification  
 All dimensions are in 'mm', unless otherwise stated



CS150045006B19A11C