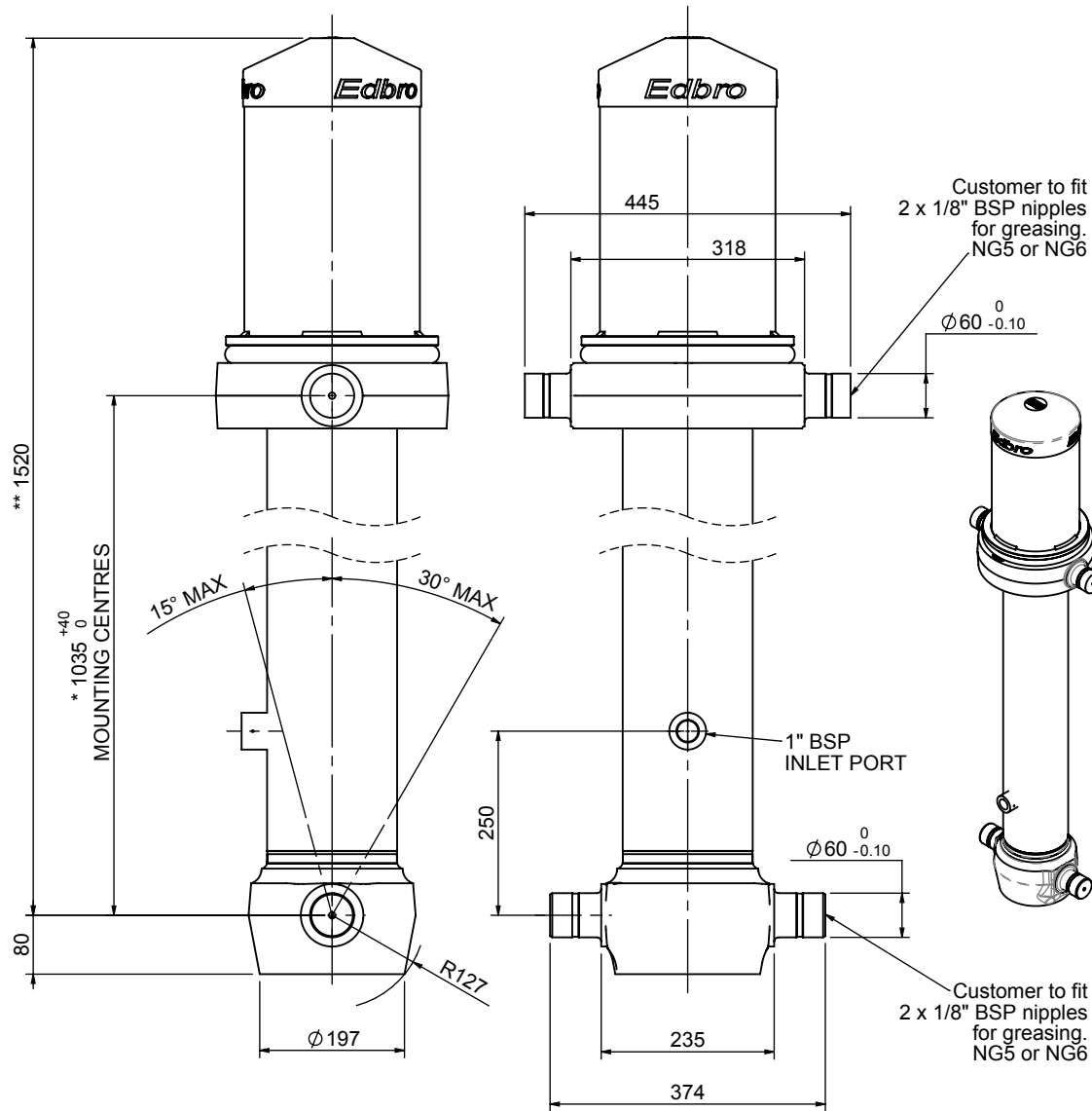


Cylinder 4 stage front end with outer cover

****ALLOW 50mm TO REMOVE CAP FOR SERVICING**

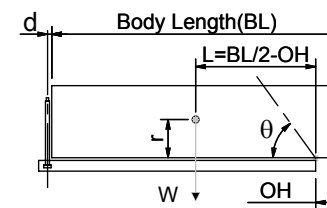


*Includes 11mm Pull Out.

CS150045006B25A15

SPECIFICATION		TIPPING CAPACITY : 35-55 TONNES***		
Stage	Diameter	Length	Stroke	Swept Volume
-	-	-	-	-
OUTER COVER	239	450	-	-
0	177	1475	-	-
1	155	1440	1225	23
2	136	1440	1247	18
3	117	1440	1262	14
4	98	1440	1267	10
Total (+5/-10)			6318	65
Final stroke reduced by	0	Priming Volume		16
Cylinder Mass (Kg)	213	Total Volume (Litres)		81
Maximum Pressure (Bar)	190	Max. first stage thrust		225 KN

***TIPPING CAPACITY AT WORKING PRESSURE



BODY LENGTH (BL)						OH
6000	6500	7000				
40	49°	37	45°	35	42°	150
46	52°	41	48°	38	44°	450
55	56°	47	50°	43	46°	750

d = 229; r = 750; Working Pressure 165 bar

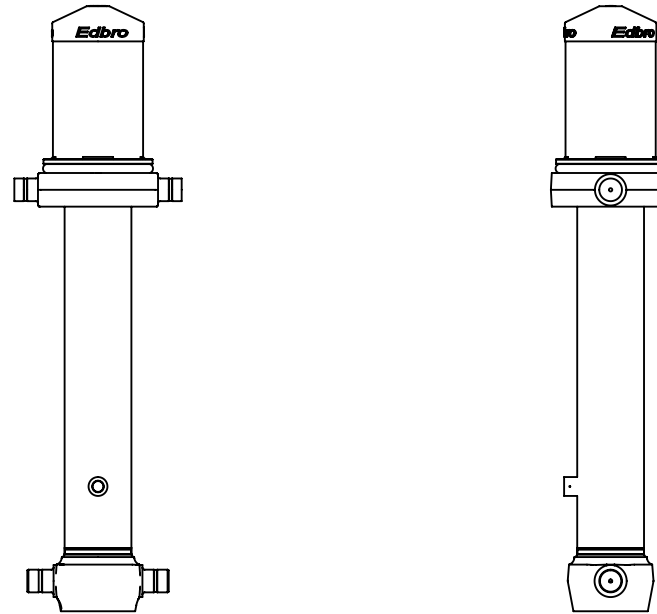
Tipping angle (θ)
Body + payload mass, W (tonne)

For guidance only;

Higher working pressures and tipping capacities may be possible.
To check your application email - applications@edbro.co.uk

NOTES

1. This cylinder is for lifting purposes only and side load conditions should be avoided
2. Cylinder is painted in primer paint to RAL5013
3. Refer to www.edbro.com for:-
 - Bracket details
 - Installation instructions that must be observed
 - Correct oil selection
 - An explanation of tipping capacity



CS150045006B25A15