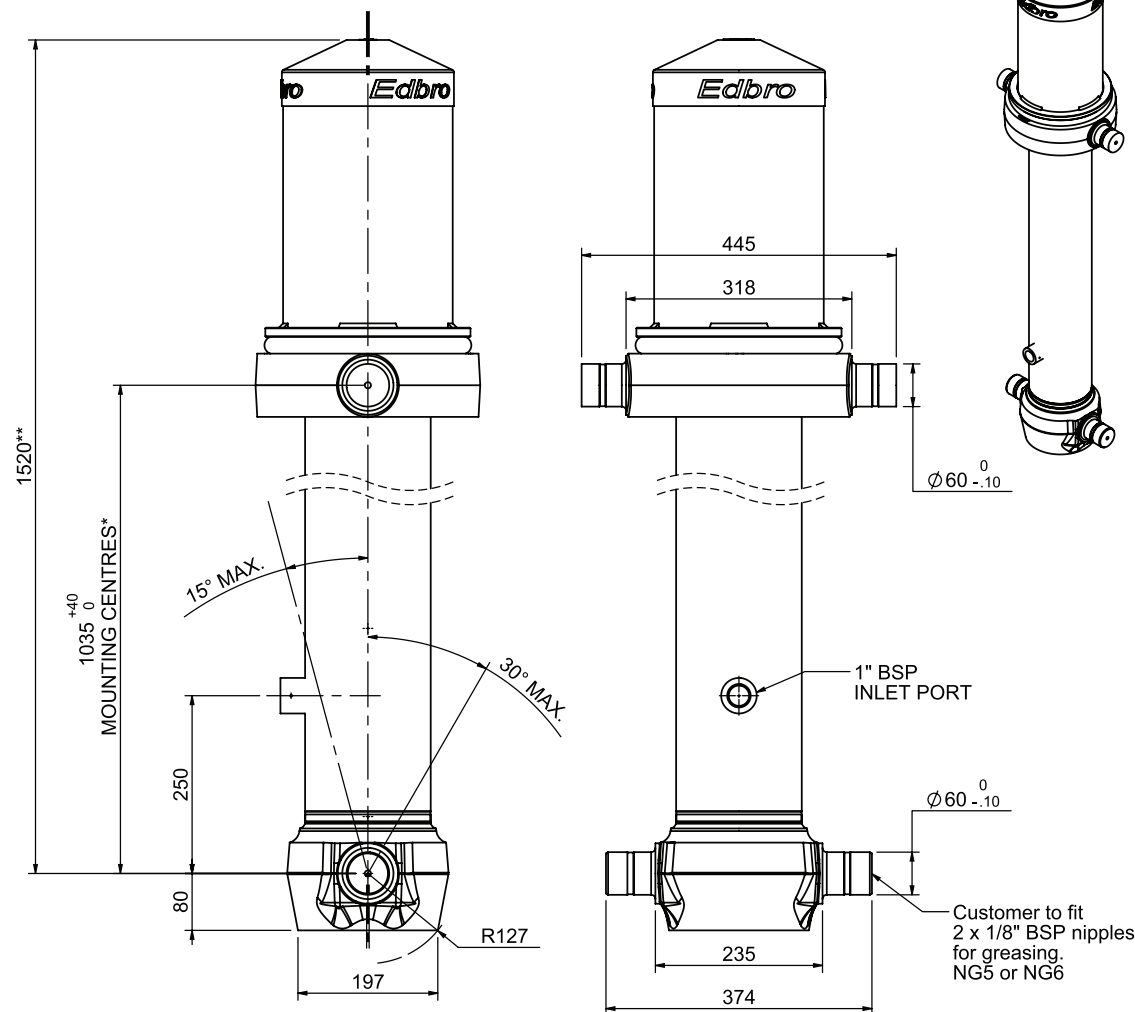


Cylinder 4 stage front end with Outer Cover

****ALLOW 50mm TO REMOVE CAP FOR SERVICING**



***Include 11mm Pull Out
All Stages Chrome Plated**



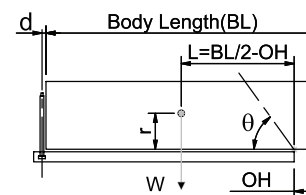
Edbro plc
Nelson Street, Bolton, Lancashire BL3 2JJ UK
Tel +44 (0) 1204 528888 Fax +44 (0) 1204 531957
Email: postmaster@edbro.com Web: www.edbro.com

CS150045006B25A15C

SPECIFICATION		RATED CAPACITY : 35-55 TONNES***		
Stage	Diameter	Length	Stroke	Swept Volume
-	-	-	-	-
OUTER COVER	239	450	-	-
0	177	1475	-	-
1	155	1440	1225	23
2	136	1440	1247	18
3	117	1440	1262	14
4	98	1440	1267	10
Final stroke reduced by	0	Total (+5/-10)	5001	65
Cylinder Mass (Kg)	215.49	Priming Volume	16.3	
Rated Pressure (Bar)	165	Total Volume (Litres)	81.3	
Maximum Pressure (Bar)	175	Max. first stage thrust	260 KN	

***TIPPING CAPACITY AT RATED PRESSURE

$d = 229$; $r = 750$



BODY LENGTH (BL)							OH
6000	6500	7000					
40	49°	37	45°	35	42°	150	
46	52°	41	47°	38	44°	450	
55	55°	47	50°	43	46°	750	

Tipping angle (θ)
Body + payload mass, W (tonne)

For guidance only;

Higher Rated Pressures may be possible. To check your application, email Edbro plc at <applications@edbro.co.uk>

NOTES

- If hydraulic pressure is used to limit overloading, the system relief valve must be set to the Rated Pressure unless agreed otherwise by Edbro
- The system relief valve can be set to Maximum Pressure if the load is limited by other means. See RATINGS page for advice
- This cylinder is for lifting purposes only and sideload conditions must be avoided
- Cylinder is painted in primer paint to RAL5013
- See bracket options page BRKT01, BRKT02
- See installation instructions INSTALL01
- Use oil according to specification OIL01

Technical Specifications are subject to change without notice
Date Created/Updated: 21 March 2011 17:22:30
Refer www.edbro.com to confirm latest specification
All dimensions are in 'mm', unless otherwise stated