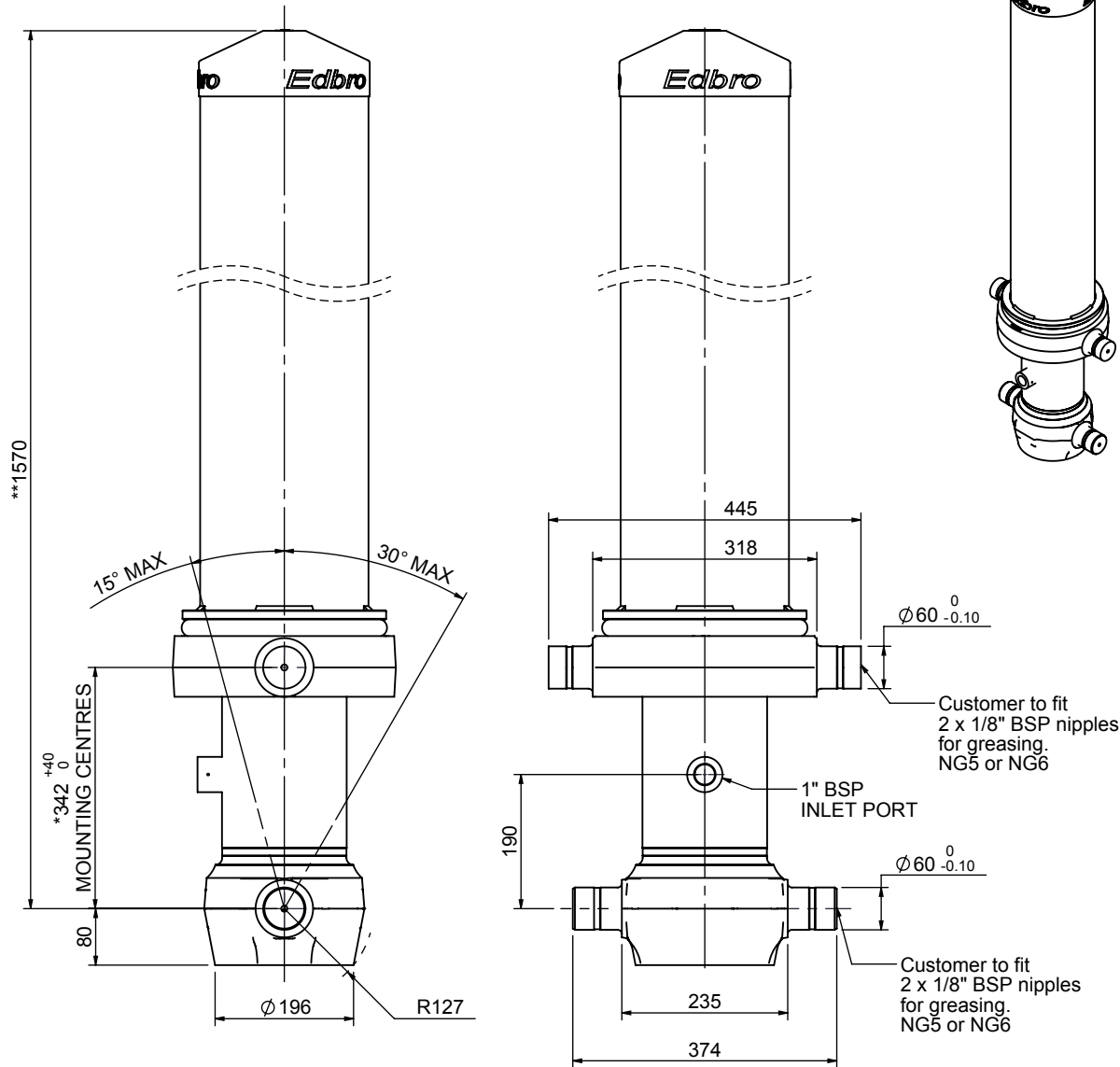


Cylinder 4 stage front end with outer cover

****ALLOW 50mm TO REMOVE CAP FOR SERVICING**

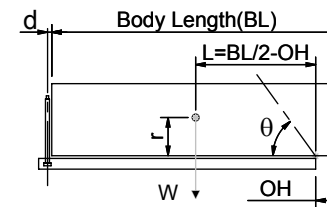


*Includes 11mm Pull Out.

CS150045206B19A11

SPECIFICATION		TIPPING CAPACITY : 35-53 TONNES***		
Stage	Diameter	Length	Stroke	Swept Volume
-	-	-	-	-
OUTER COVER	239	1190	-	-
0	177	1525	-	-
1	155	1490	1275	24
2	136	1490	1297	19
3	117	1490	1312	14
4	98	1490	1317	10
Total (+5/-10)			5201	67
Final stroke reduced by	0	Priming Volume		17
Cylinder Mass (Kg)	232	Total Volume (Litres)		84
Maximum Pressure (Bar)	190	Max. first stage thrust		230 KN

***TIPPING CAPACITY AT WORKING PRESSURE



BODY LENGTH (BL)						OH
6250		6750		7250		
40	49°	37	45°	35	42°	150
45	51°	41	47°	38	44°	450
53	54°	46	50°	42	46°	750

d = 178; r = 750; Working Pressure 165 bar

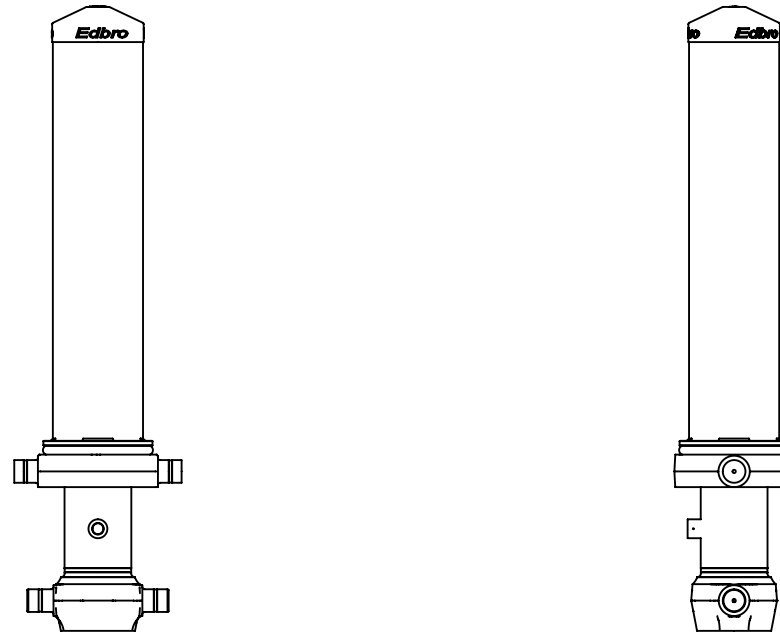
For guidance only;

Higher working pressures and tipping capacities may be possible.

To check your application email - applications@edbro.co.uk

NOTES

1. This cylinder is for lifting purposes only and side load conditions should be avoided
2. Cylinder is painted in primer paint to RAL5013
3. Refer to www.edbro.com for:-
 - Bracket details
 - Installation instructions that must be observed
 - Correct oil selection
 - An explanation of tipping capacity



CS150045206B19A11