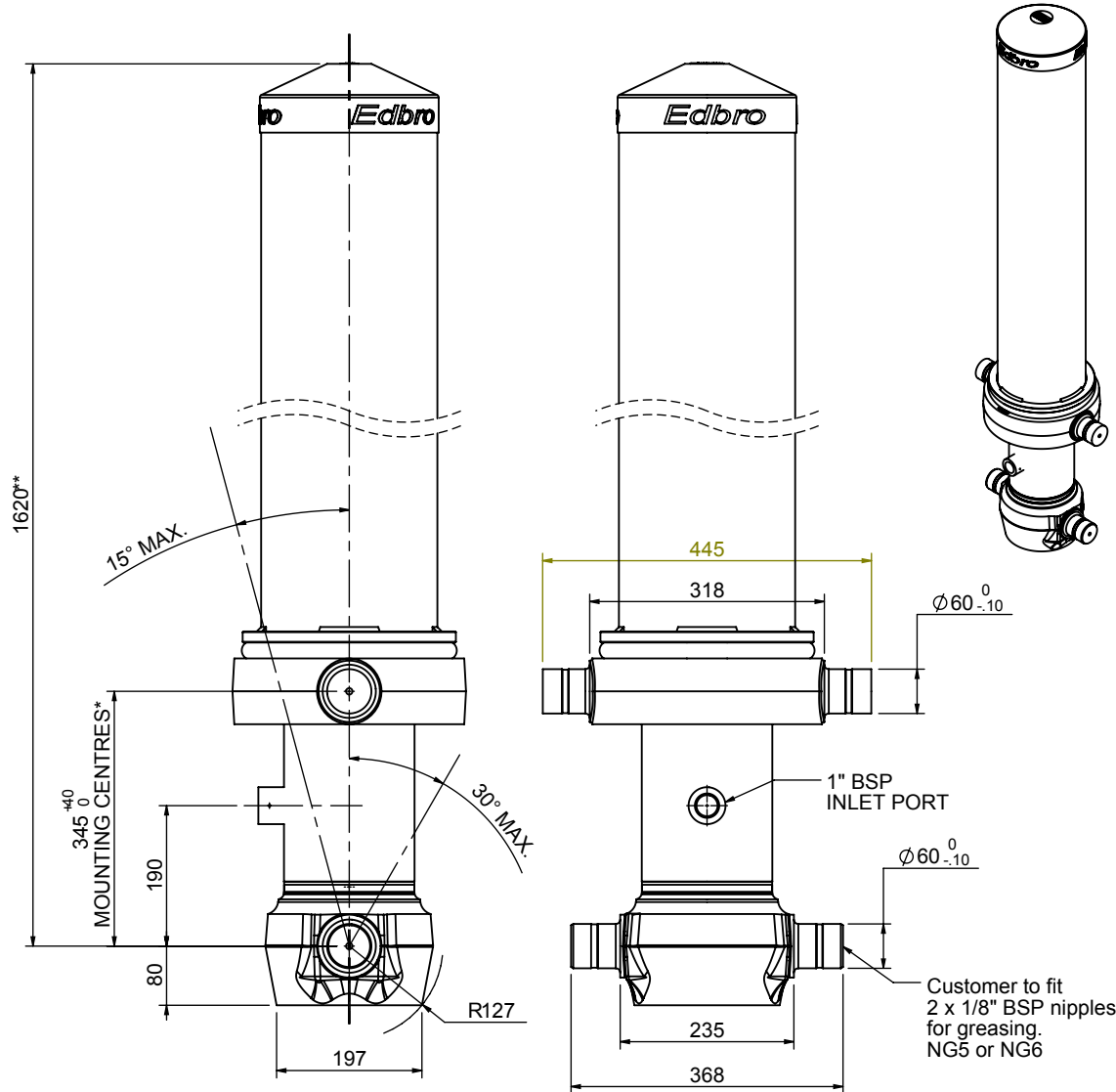


Cylinder 4 stage front end with Outer Cover

****ALLOW 50mm TO REMOVE CAP FOR SERVICING**



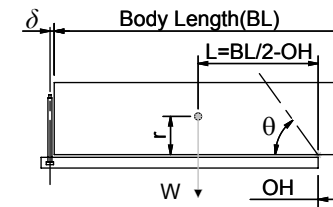
***Include 11mm Pull Out
All Stages Chrome Plated**

CS150045406B19A11C

SPECIFICATION		RATED CAPACITY : 37-54 TONNES***		
Stage	Diameter	Length	Stroke	Swept Volume
-	-	-	-	-
OUTER COVER	239	1240	-	-
0	177	1575	-	-
1	155	1540	1325	25
2	136	1540	1347	20
3	117	1540	1362	15
4	98	1540	1367	10
Final stroke reduced by	0	Total (+5/-10)	5401	70
Cylinder Mass (Kg)	243.08	Priming Volume	17.6	
Rated Pressure (Bar)	175	Total Volume (Litres)	87.6	
Maximum Pressure (Bar)	175	Max. first stage thrust	230 KN	

***TIPPING CAPACITY AT RATED PRESSURE

d = 229 ; r = 750



BODY LENGTH (BL)					OH	
6500	7000	7500				
41	49°	39	45°	37	42°	150
47	51°	43	47°	40	44°	450
54	54°	48	50°	44	46°	750

For guidance only;

Higher Rated Pressures may be possible. To check your application, email Edbro plc at <applications@edbro.co.uk>

NOTES

- If hydraulic pressure is used to limit overloading, the system relief valve must be set to the Rated Pressure unless agreed otherwise by Edbro
- The system relief valve can be set to Maximum Pressure if the load is limited by other means. See RATINGS page for advice
- This cylinder is for lifting purposes only and sload conditions must be avoided
- Cylinder is painted in primer paint to RAL5013
- See bracket options page BRKT01, BRKT02
- See installation instructions INSTALL01
- Use oil according to specification OIL01