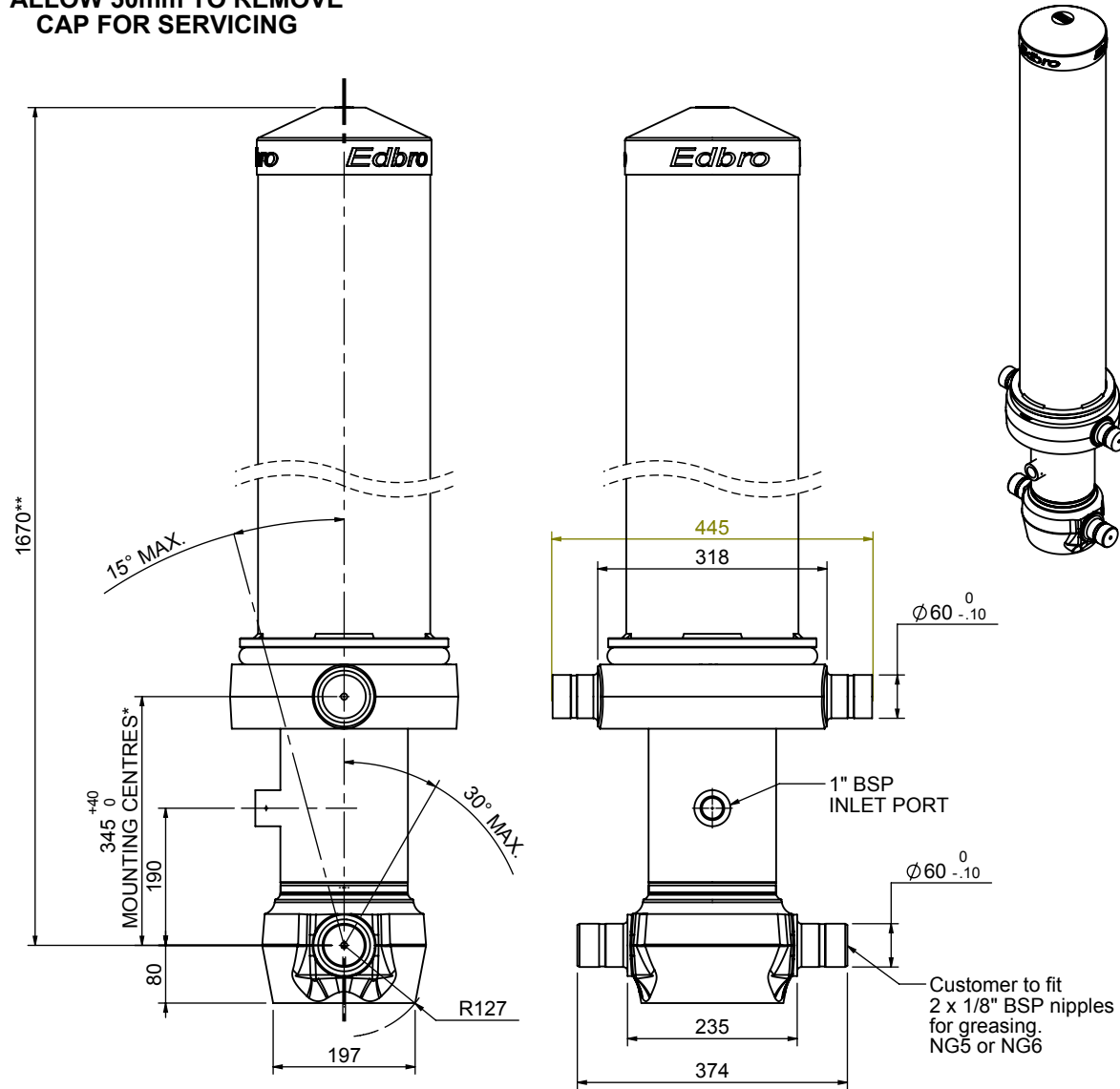


Cylinder 4 stage front end with Outer Cover

****ALLOW 50mm TO REMOVE CAP FOR SERVICING**

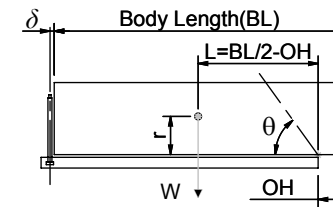


CS150045606B19A11

SPECIFICATION		RATED CAPACITY : 34-49 TONNES***		
Stage	Diameter	Length	Stroke	Swept Volume
-	-	-	-	-
OUTER COVER	239	1290	-	-
0	177	1625	-	-
1	155	1590	1375	26
2	136	1590	1397	20
3	117	1590	1412	15
4	98	1590	1417	11
Final stroke reduced by	0	Total (+5/-10)	5601	72
Cylinder Mass (Kg)	252.08	Priming Volume	16.9	
Rated Pressure (Bar)	165	Total Volume (Litres)	88.9	
Maximum Pressure (Bar)	175	Max. first stage thrust	230 KN	

***TIPPING CAPACITY AT RATED PRESSURE

d = 229 ; r = 750



BODY LENGTH (BL)					OH	
6750		7250		7750		
38	49°	36	45°	34	42°	150
43	51°	40	47°	37	44°	450
49	54°	44	49°	41	46°	750

Tipping angle (θ)
 Body + payload mass, W (tonne)

For guidance only;

Higher Rated Pressures may be possible. To check your application, email Edbro plc at <applications@edbro.co.uk>

NOTES

- If hydraulic pressure is used to limit overloading, the system relief valve must be set to the Rated Pressure unless agreed otherwise by Edbro
- The system relief valve can be set to Maximum Pressure if the load is limited by other means. See RATINGS page for advice
- This cylinder is for lifting purposes only and sload conditions must be avoided
- Cylinder is painted in primer paint to RAL5013
- See bracket options page BRKT01, BRKT02
- See installation instructions INSTALL01
- Use oil according to specification OIL01

***Include 11mm Pull Out**

Edbro
SETTING THE INDUSTRY STANDARD

Edbro plc
Nelson Street, Bolton, Lancashire BL3 2JJ UK
Tel +44 (0) 1204 528888 Fax +44 (0) 1204 531957
Email: postmaster@edbro.com Web: www.edbro.com

Technical Specifications are subject to change without notice
Date Created/Updated: 18 March 2011 09:07:37
Refer www.edbro.com to confirm latest specification
All dimensions are in 'mm', unless otherwise stated