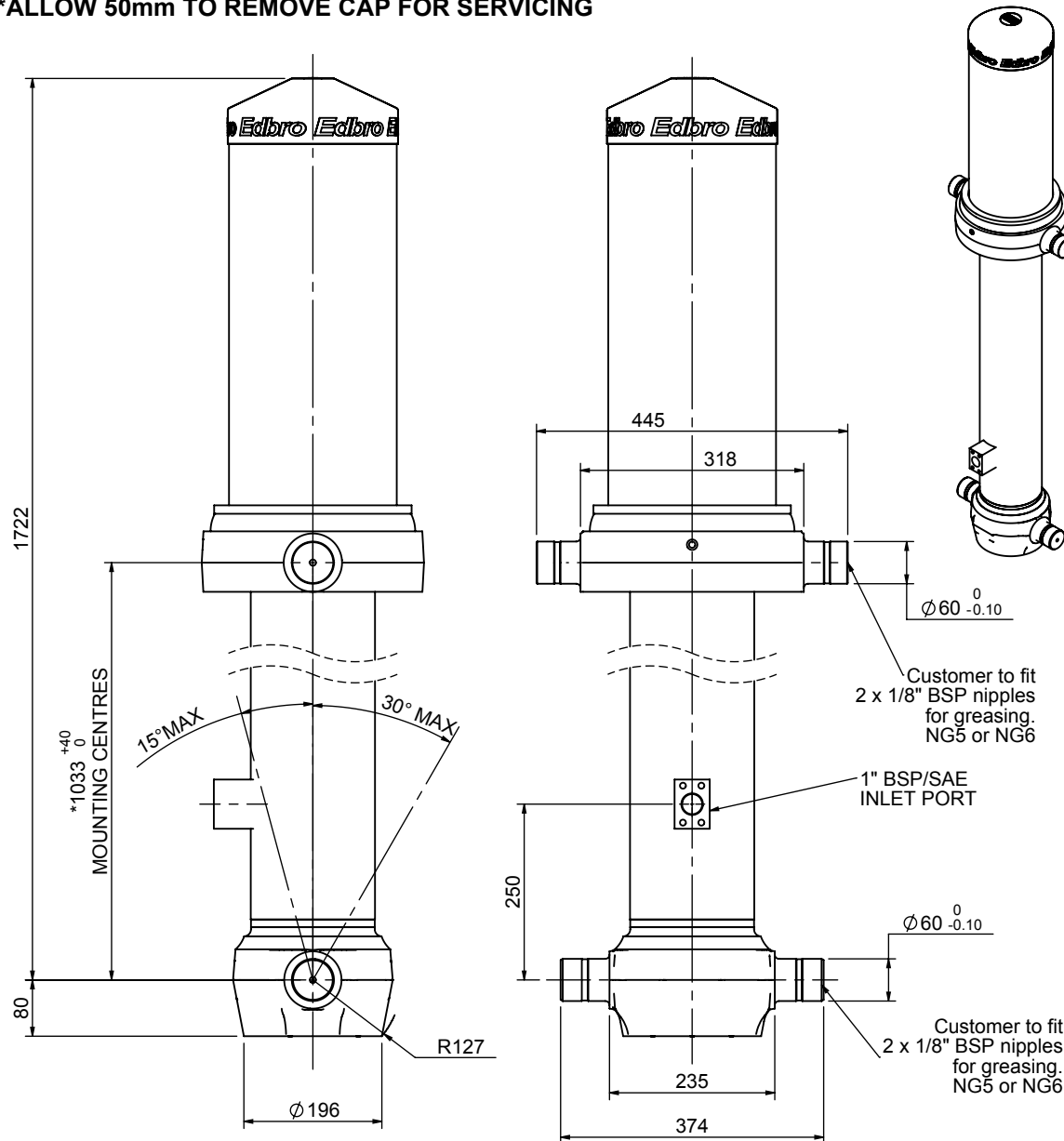


Cylinder 4 stage front end with outer cover

****ALLOW 50mm TO REMOVE CAP FOR SERVICING**

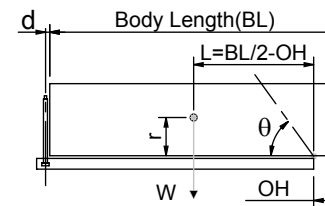


*Includes 11mm Pull Out.

CS150045806S25A15

SPECIFICATION		TIPPING CAPACITY : 35-49 TONNES***		
Stage	Diameter	Length	Stroke	Swept Volume
-	-	-	-	-
OUTER COVER	239	650	-	-
0	177	1675	-	-
1	155	1640	1430	27
2	136	1640	1447	21
3	117	1640	1462	16
4	98	1640	1467	11
Total (+5/-10)			5806	75
Final stroke reduced by	0	Priming Volume		19
Cylinder Mass (Kg)	235	Total Volume (Litres)		94
Maximum Pressure (Bar)	190	Max. first stage thrust		225 KN

***TIPPING CAPACITY AT WORKING PRESSURE



BODY LENGTH (BL)						OH
7000	7500	8000				
39	49°	37	46°	35	43°	150
43	52°	40	48°	38	44°	450
49	54°	45	50°	41	46°	750

$d = 229$; $r = 750$; Working Pressure 170 bar

Tipping angle (θ)

Body + payload mass, W (tonne)

For guidance only;

Higher working pressures and tipping capacities may be possible.

To check your application email - applications@edbro.co.uk

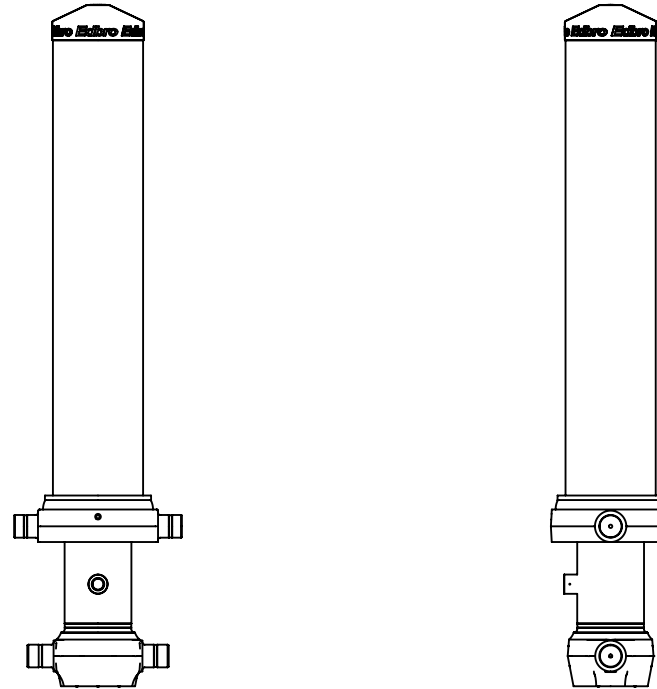
NOTES

1. This cylinder is for lifting purposes only and side load conditions should be avoided
2. Cylinder is painted in primer paint to RAL5013
3. Refer to www.edbro.com for:-
 - Bracket details
 - Installation instructions that must be observed
 - Correct oil selection
 - An explanation of tipping capacity



JUST UK LTD
 Nelson Street, Bolton, England, BL3 2JJ
 Tel +44 (0) 1204 528888 Fax +44 (0) 1204 531957
 Email: sales@jost-world.com Web: www.edbro.com

Technical Specifications are subject to change without notice
 Date Created/Updated: 19 December 2018
 Refer www.edbro.com to confirm latest specification
 All dimensions are in 'mm', unless otherwise stated



CS150045806B19A11