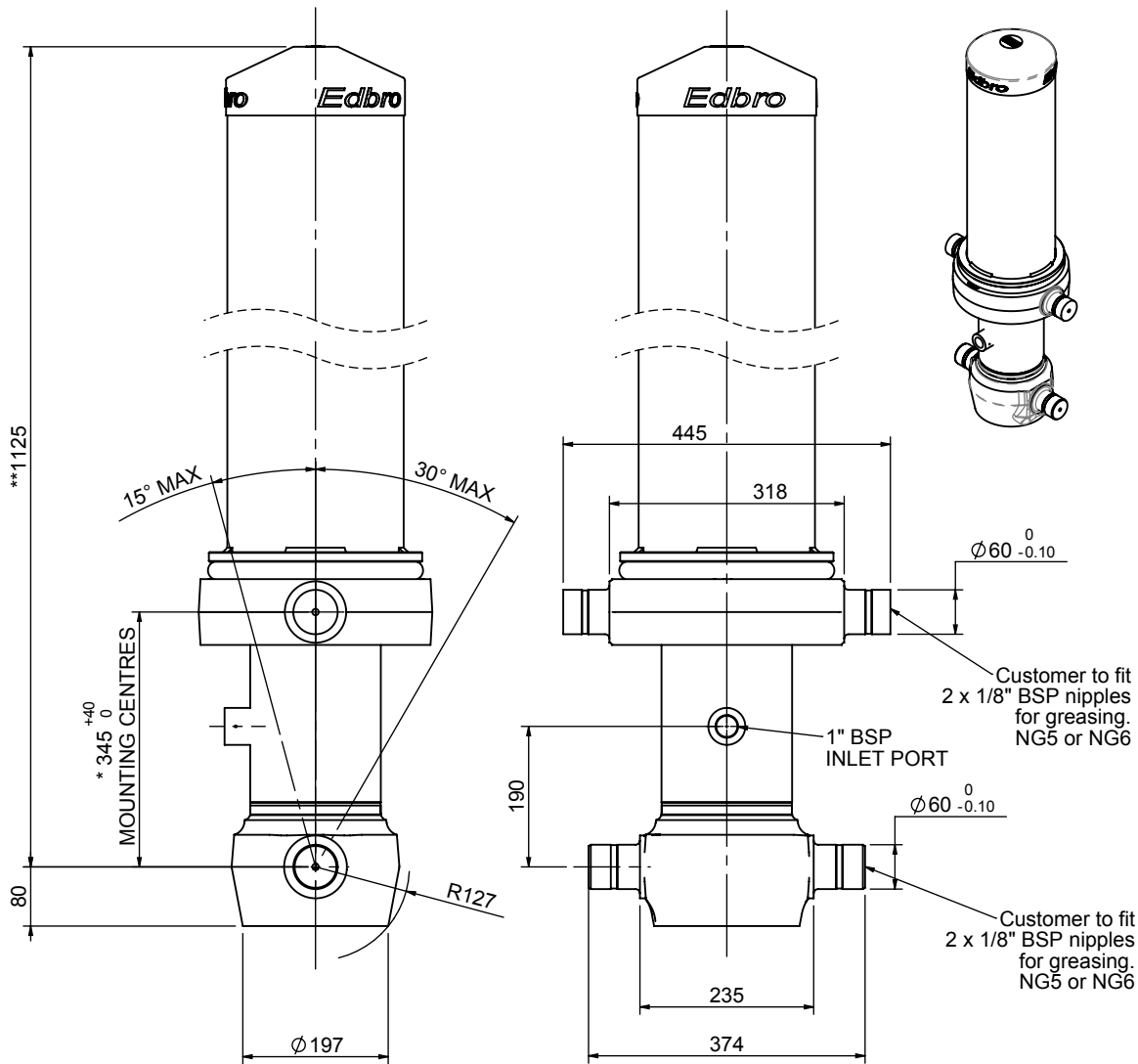


# Cylinder 5 stage front end with outer cover

**\*\*ALLOW 50mm TO REMOVE CAP FOR SERVICING**

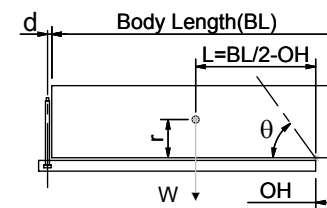


\*Includes 11mm Pull Out.

# CS150054277B19A11

SPECIFICATION		TIPPING CAPACITY : 26-41 TONNES***		
Stage	Diameter	Length	Stroke	Swept Volume
OUTER COVER	239	745	-	-
0	177	1075	-	-
1	155	1040	825	16
2	136	1040	847	12
3	117	1040	862	9
4	98	1040	867	7
5	79	1040	872	4
Total (+5/-10)			4273	48
Final stroke reduced by	0	Priming Volume		10
Cylinder Mass (Kg)	191	Total Volume (Litres)		58
Maximum Pressure (Bar)	190	Max. first stage thrust		225 KN

### \*\*\*TIPPING CAPACITY AT WORKING PRESSURE



BODY LENGTH (BL)						OH
5500	5750	6000				
28	45°	27	43°	26	41°	150
33	48°	31	46°	29	44°	450
41	51°	37	49°	34	46°	750

d = 229; r = 750; Working Pressure 175 bar

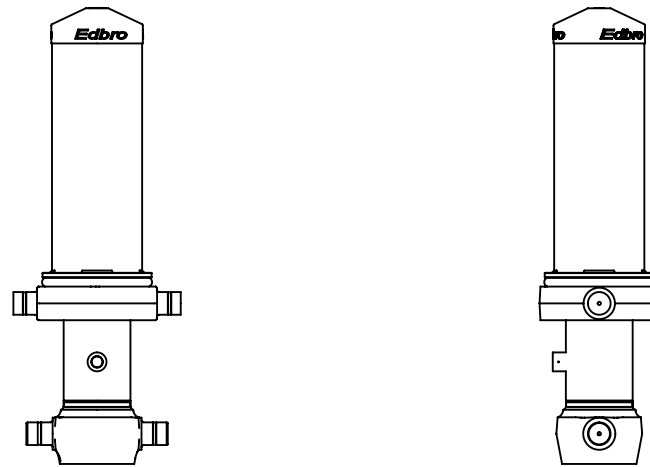
### For guidance only;

Higher working pressures and tipping capacities may be possible.

To check your application email - [applications@edbro.co.uk](mailto:applications@edbro.co.uk)

### NOTES

1. This cylinder is for lifting purposes only and side load conditions should be avoided
2. Cylinder is painted in primer paint to RAL5013
3. Refer to [www.edbro.com](http://www.edbro.com) for:-
  - Bracket details
  - Installation instructions that must be observed
  - Correct oil selection
  - An explanation of tipping capacity



CS150054277B19A11