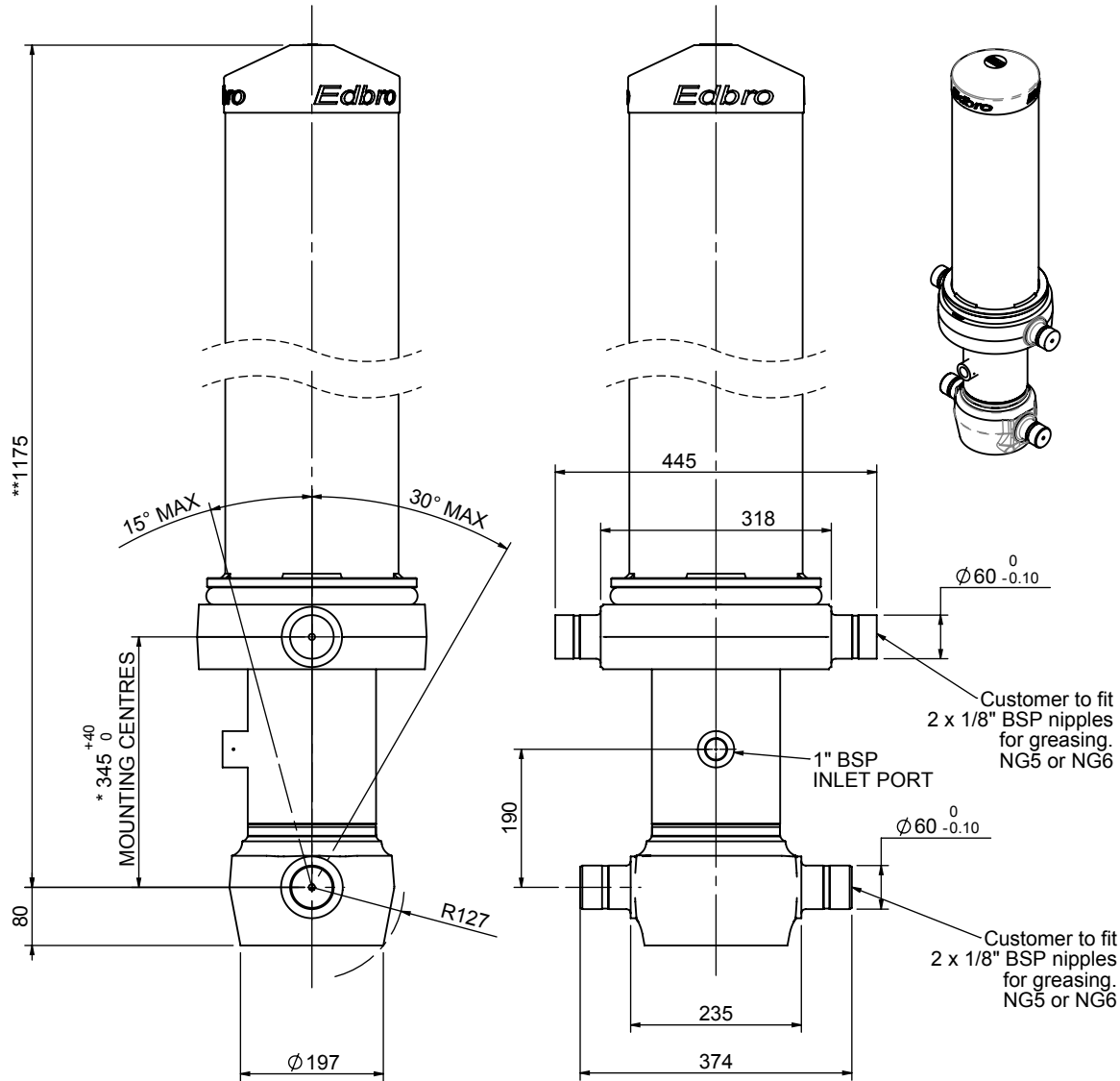


Cylinder 5 stage front end with outer cover

****ALLOW 50mm TO REMOVE CAP FOR SERVICING**

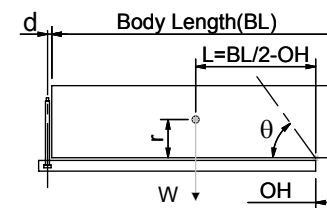


*Includes 11mm Pull Out.

CS150054527B19A11

SPECIFICATION		TIPPING CAPACITY : 26-40 TONNES***		
Stage	Diameter	Length	Stroke	Swept Volume
OUTER COVER	239	795	-	-
0	177	1125	-	-
1	155	1090	875	17
2	136	1090	897	13
3	117	1090	912	10
4	98	1090	917	7
5	79	1090	922	5
Total (+5/-10)			4523	52
Final stroke reduced by	0	Priming Volume		11
Cylinder Mass (Kg)	197	Total Volume (Litres)		63
Maximum Pressure (Bar)	190	Max. first stage thrust		225 KN

***TIPPING CAPACITY AT WORKING PRESSURE



BODY LENGTH (BL)					OH	
5750	6000	6250				
28	46°	27	44°	26	42°	150
33	49°	31	46°	29	44°	450
40	52°	36	49°	34	47°	750

d = 229; r = 750; Working Pressure 175 bar

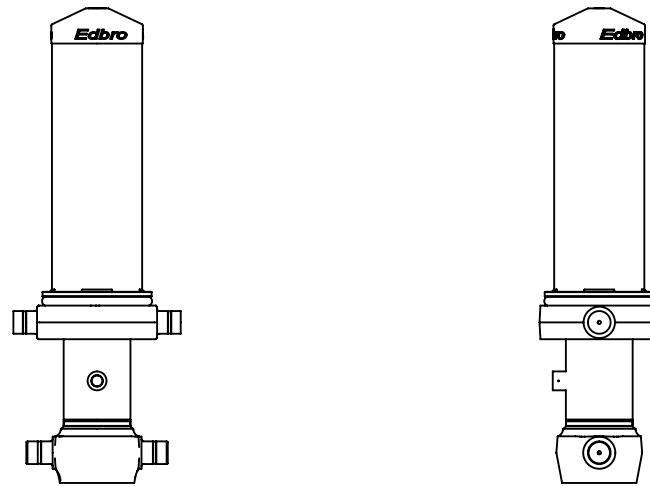
For guidance only;

Higher working pressures and tipping capacities may be possible.

To check your application email - applications@edbro.co.uk

NOTES

1. This cylinder is for lifting purposes only and side load conditions should be avoided
2. Cylinder is painted in primer paint to RAL5013
3. Refer to www.edbro.com for;-
 - Bracket details
 - Installation instructions that must be observed
 - Correct oil selection
 - An explanation of tipping capacity



CS150054527B19A11