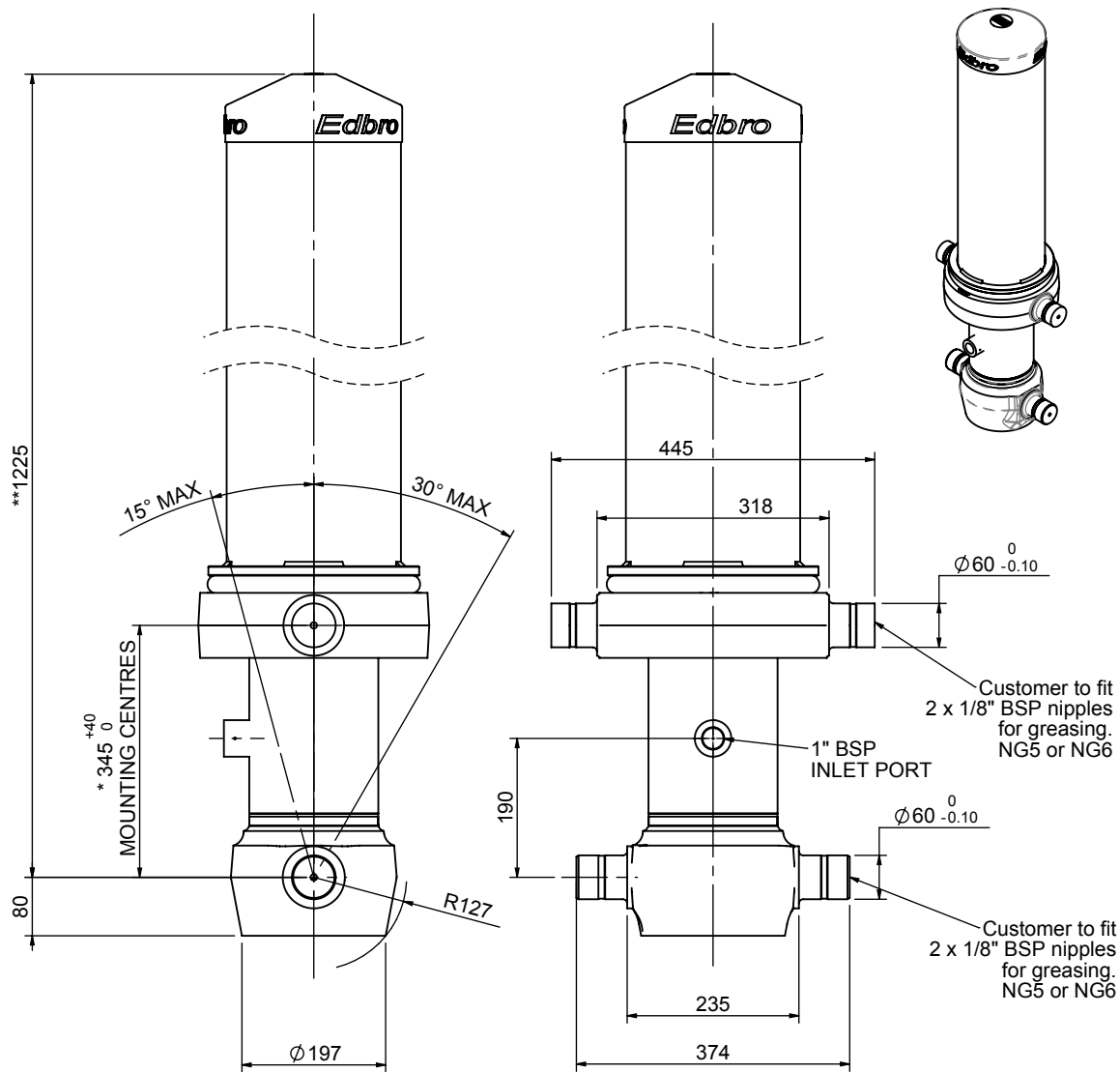


Cylinder 5 stage front end with outer cover

****ALLOW 50mm TO REMOVE CAP FOR SERVICING**

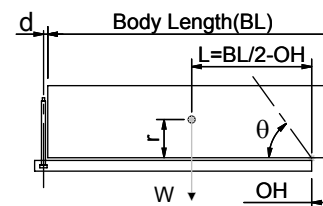


*Includes 11mm Pull Out.

CS150054777B19A11

SPECIFICATION		TIPPING CAPACITY : 26-39 TONNES***		
Stage	Diameter	Length	Stroke	Swept Volume
OUTER COVER	239	845	-	-
0	177	1175	-	-
1	155	1140	925	17
2	136	1140	947	14
3	117	1140	962	10
4	98	1140	967	7
5	79	1140	972	5
Total (+5/-10)			4773	53
Final stroke reduced by	0	Priming Volume		12
Cylinder Mass (Kg)	203	Total Volume (Litres)		65
Maximum Pressure (Bar)	190	Max. first stage thrust		225 KN

***TIPPING CAPACITY AT WORKING PRESSURE



BODY LENGTH (BL)						OH
6000	6250	6500	6750	7000	7250	
28	47°	27	45°	26	43°	150
32	49°	30	47°	29	45°	450
39	52°	36	50°	33	47°	750

d = 229; r = 750; Working Pressure 175 bar

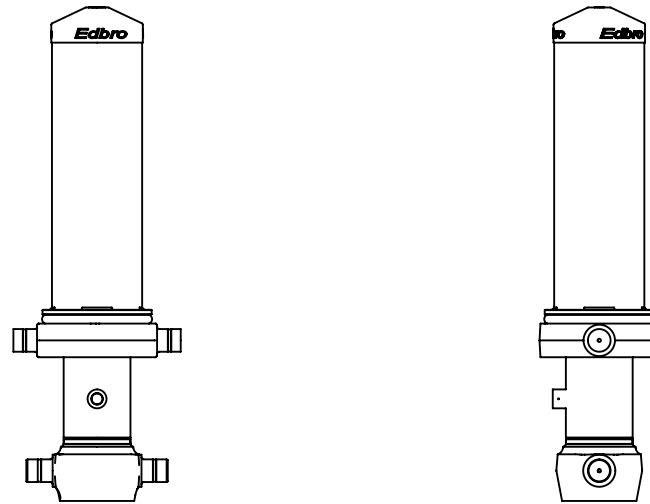
Tipping angle (θ)
Body + payload mass, W (tonne)

For guidance only;

Higher working pressures and tipping capacities may be possible.
To check your application email - applications@edbro.co.uk

NOTES

1. This cylinder is for lifting purposes only and side load conditions should be avoided
2. Cylinder is painted in primer paint to RAL5013
3. Refer to www.edbro.com for:-
 - Bracket details
 - Installation instructions that must be observed
 - Correct oil selection
 - An explanation of tipping capacity



CS150054777B19A11