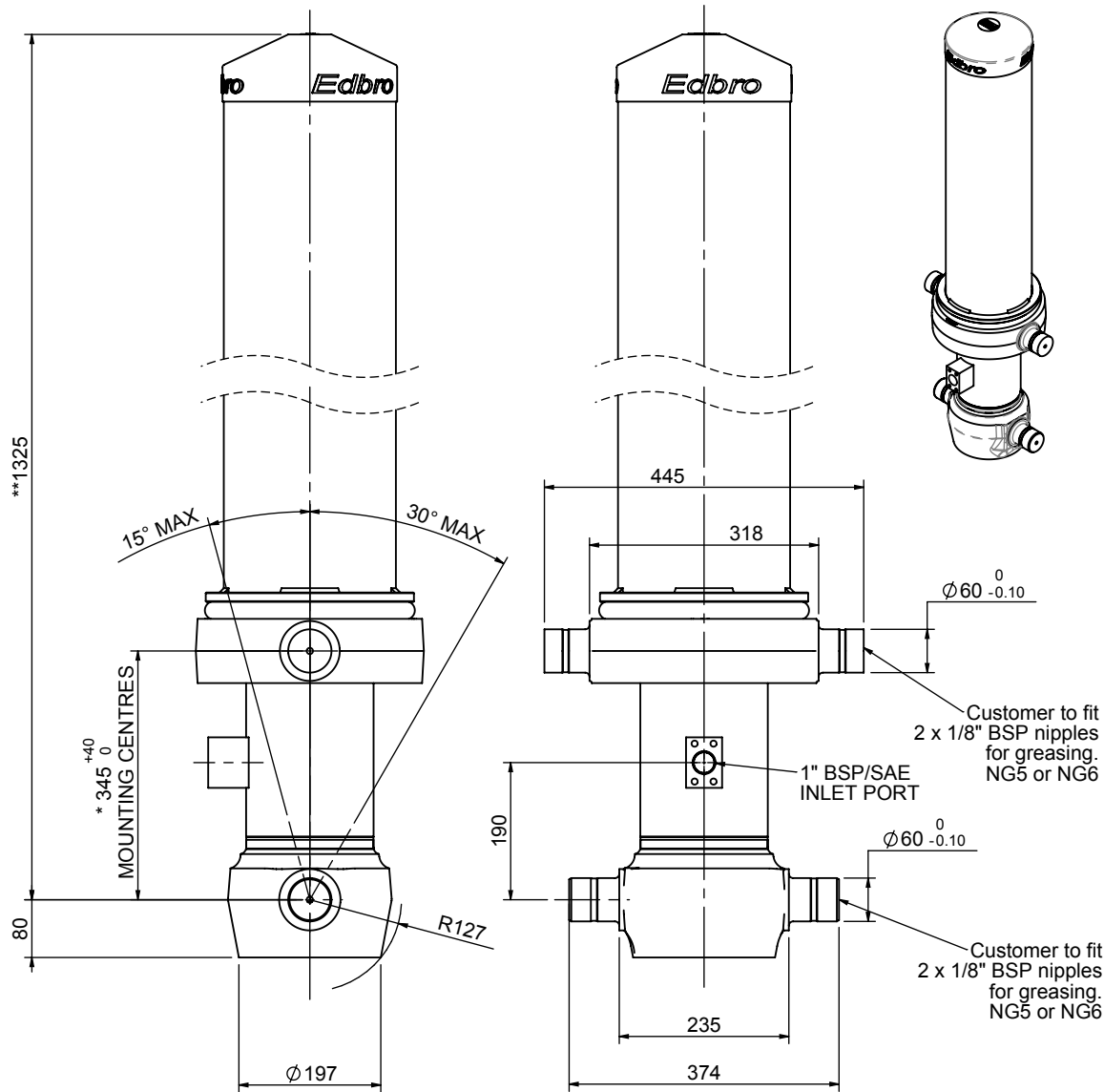


Cylinder 5 stage front end with outer cover

****ALLOW 50mm TO REMOVE CAP FOR SERVICING**

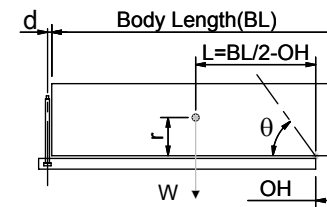


*Includes 11mm Pull Out.

CS150055277S19A11

SPECIFICATION		TIPPING CAPACITY : 24-37 TONNES***		
Stage	Diameter	Length	Stroke	Swept Volume
OUTER COVER	239	945	-	-
0	177	1275	-	-
1	155	1240	1025	19
2	136	1240	1047	15
3	117	1240	1062	11
4	98	1240	1067	8
5	79	1240	1072	5
Total (+5/-10)			5273	58
Final stroke reduced by	0	Priming Volume		13
Cylinder Mass (Kg)	216	Total Volume (Litres)		71
Maximum Pressure (Bar)	190	Max. first stage thrust		225 KN

***TIPPING CAPACITY AT WORKING PRESSURE



BODY LENGTH (BL)						OH
6500	7000	7500				
28	48°	26	44°	24	41°	150
31	50°	29	46°	27	43°	450
37	53°	32	48°	29	45°	750

$d = 229$; $r = 750$; Working Pressure 175 bar

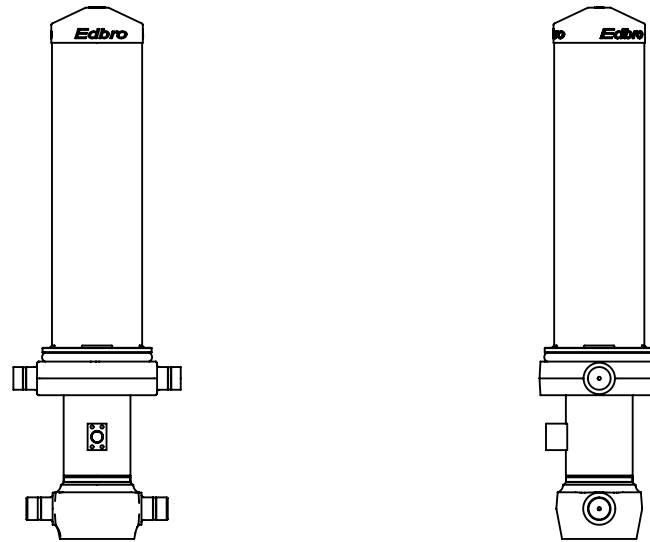
For guidance only;

Higher working pressures and tipping capacities may be possible.

To check your application email - applications@edbro.co.uk

NOTES

1. This cylinder is for lifting purposes only and side load conditions should be avoided
2. Cylinder is painted in primer paint to RAL5013
3. Refer to www.edbro.com for:-
 - Bracket details
 - Installation instructions that must be observed
 - Correct oil selection
 - An explanation of tipping capacity



CS150055277S19A11