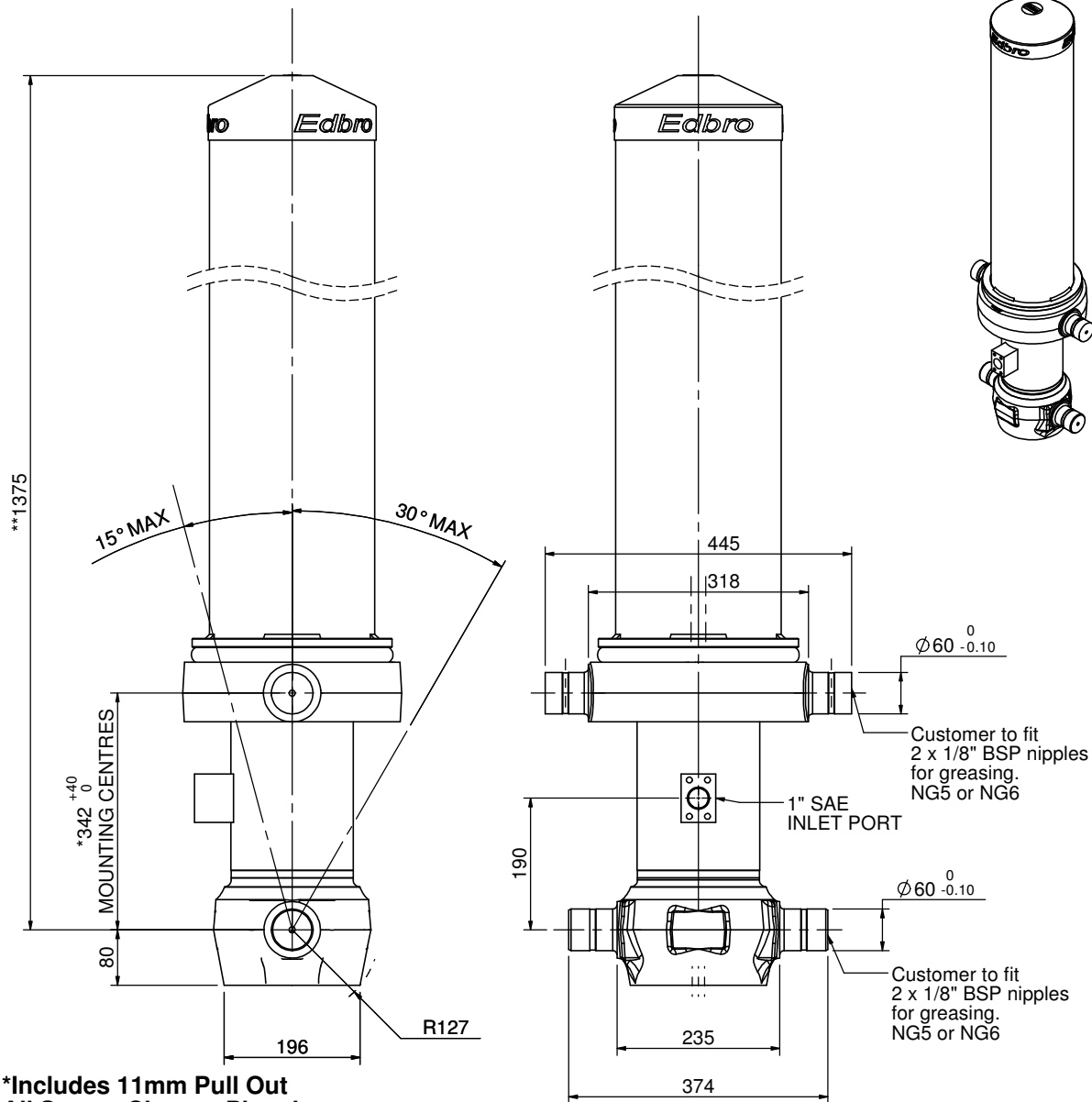


Cylinder 5 stage front end with outer cover

****ALLOW 50mm TO REMOVE CAP FOR SERVICING**



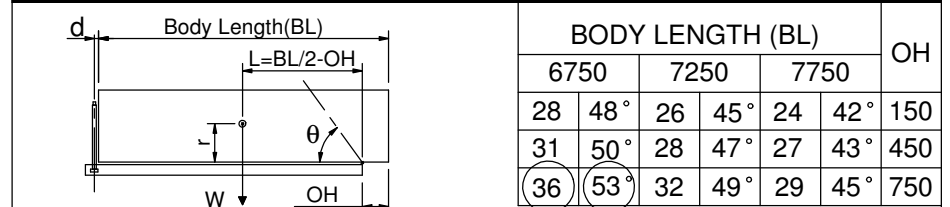
***Includes 11mm Pull Out
All Stages Chrome Plated**

CS150055528S19A11C

SPECIFICATION **TIPPING CAPACITY : 24 -36 TONNES*****

Stage	Diameter	Length	Stroke	Swept Volume
OUTER COVER	239	995	-	-
0	177	1325	-	-
1	155	1290	1075	20
2	136	1290	1097	16
3	117	1290	1112	12
4	98	1290	1117	8
5	79	1290	1122	6
Total (+5/-10)			5523	62
Final stroke reduced by	0	Priming Volume		15
Cylinder Mass (Kg)	220	Total Volume (Litres)		77
Maximum Pressure (Bar)	190	Max. first stage thrust		230 KN

*****TIPPING CAPACITY AT WORKING PRESSURE**



$d = 229; r = 750; \text{Working Pressure } 175 \text{ bar}$
For guidance only;
 Higher working pressures and tipping capacities may be possible.
 To check your application email - applications@edbro.co.uk

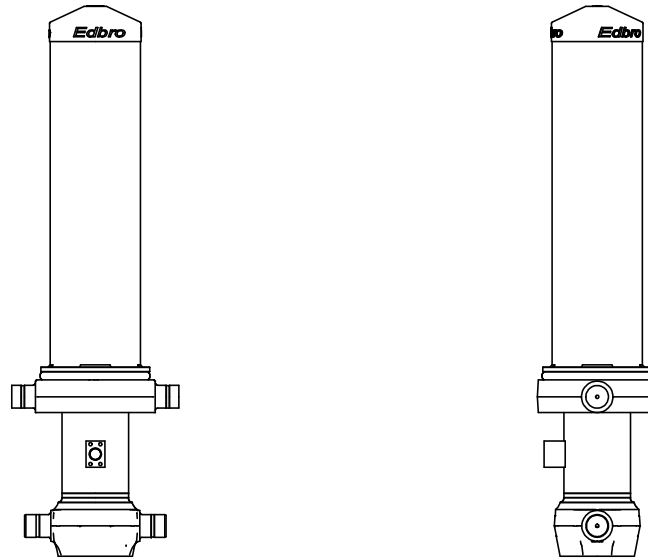
NOTES

1. This cylinder is for lifting purposes only and side load conditions should be avoided
2. Cylinder is painted in primer paint to RAL5013
3. Refer to www.edbro.com for:-
 - Bracket details
 - Installation instructions that must be observed
 - Correct oil selection
 - An explanation of tipping capacity



Edbro plc
 Nelson Street, Bolton, England, BL3 2JJ
 Tel +44 (0) 1204 528888 Fax +44 (0) 1204 531957
 Email: postmaster@edbro.com Web: www.edbro.com

Technical Specifications are subject to change without notice
 Date Created/Updated: 15 April 2015
 Refer www.edbro.com to confirm latest specification
 All dimensions are in 'mm', unless otherwise stated



CS150055528S19A11C