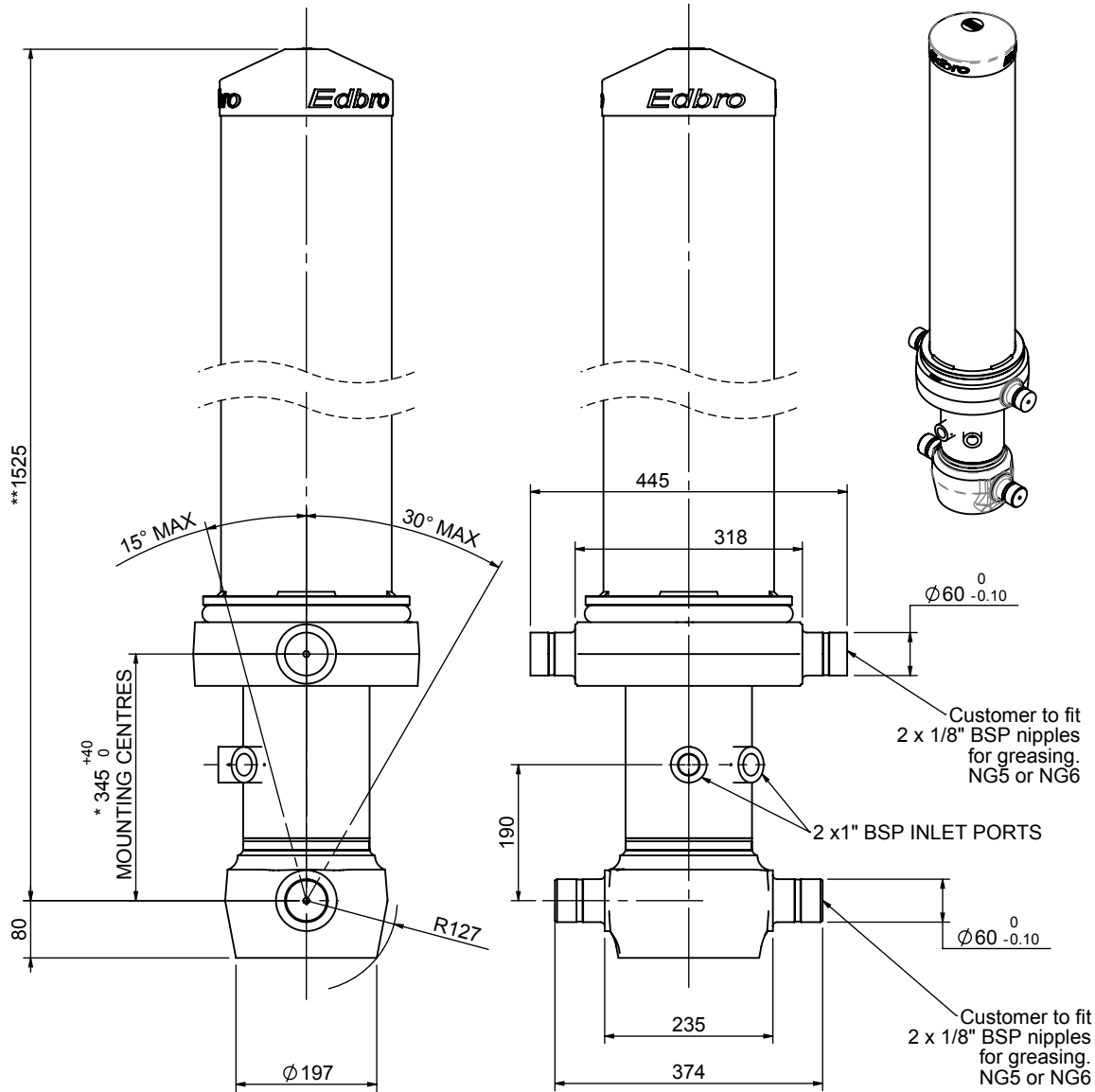


Cylinder 5 stage front end with outer cover

****ALLOW 50mm TO REMOVE CAP FOR SERVICING**

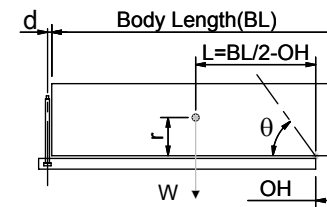


*Includes 11mm Pull Out.

CS150056277T19A11

SPECIFICATION		TIPPING CAPACITY : 24-34 TONNES***		
Stage	Diameter	Length	Stroke	Swept Volume
OUTER COVER	239	1145	-	-
0	177	1475	-	-
1	155	1440	1225	23
2	136	1440	1247	18
3	117	1440	1262	14
4	98	1440	1267	10
5	79	1440	1272	6
Total (+5/-10)			6273	71
Final stroke reduced by	0	Priming Volume		15
Cylinder Mass (Kg)	240	Total Volume (Litres)		86
Maximum Pressure (Bar)	190	Max. first stage thrust	225 KN	

***TIPPING CAPACITY AT WORKING PRESSURE



BODY LENGTH (BL)						OH
7500	8000	8500	9000	9500	10000	
27	49°	26	46°	24	43°	150
30	51°	28	48°	26	45°	450
34	54°	31	50°	29	47°	750

$d = 229$; $r = 750$; Working Pressure 175 bar

Tipping angle (θ)

Body + payload mass, W (tonne)

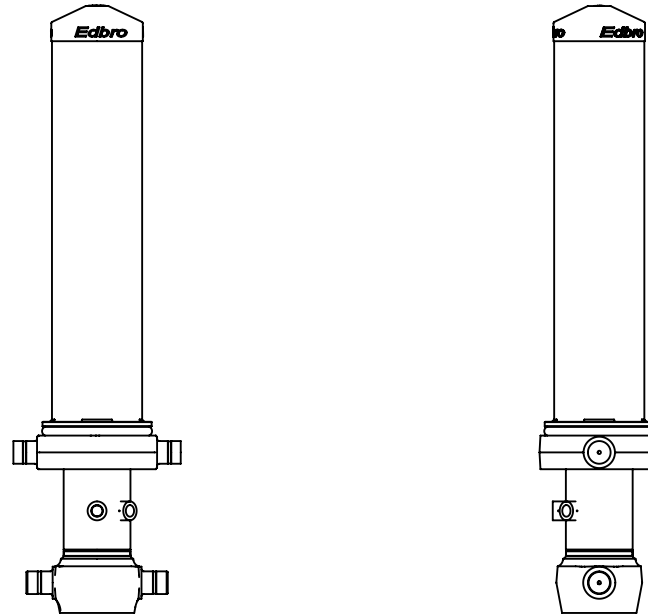
For guidance only;

Higher working pressures and tipping capacities may be possible.

To check your application email - applications@edbro.co.uk

NOTES

1. This cylinder is for lifting purposes only and side load conditions should be avoided
2. Cylinder is painted in primer paint to RAL5013
3. Refer to www.edbro.com for:-
 - Bracket details
 - Installation instructions that must be observed
 - Correct oil selection
 - An explanation of tipping capacity



CS150056277T19A11