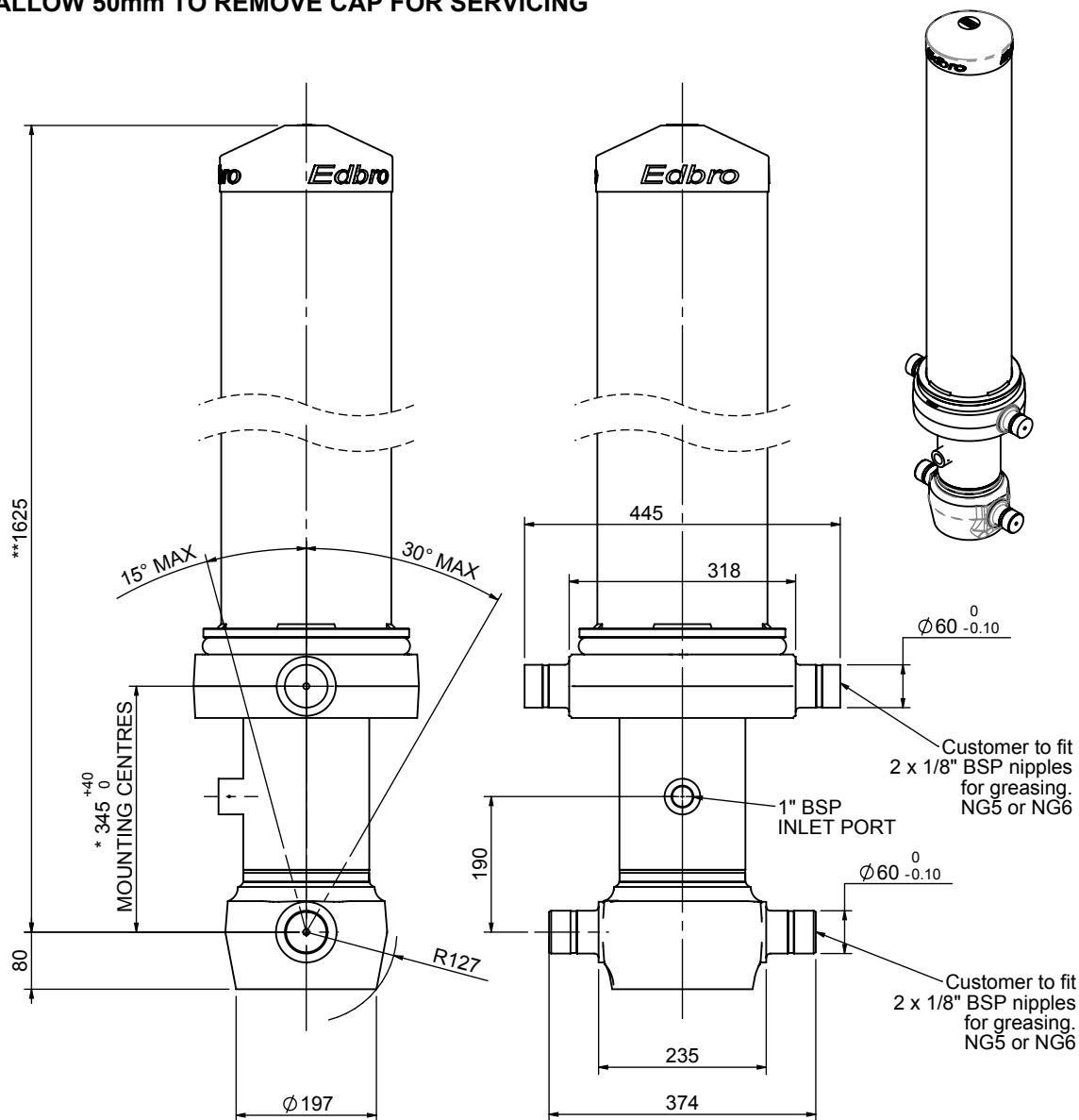


Cylinder 5 stage front end with outer cover

****ALLOW 50mm TO REMOVE CAP FOR SERVICING**

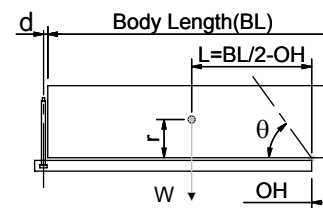


***Includes 11mm Pull Out.**

CS150056527B19F11

SPECIFICATION		TIPPING CAPACITY : 26-38 TONNES***		
Stage	Diameter	Length	Stroke	Swept Volume
OUTER COVER	239	1245	-	-
0	177	1575	-	-
1	155	1540	1325	25
2	136	1540	1347	20
3	117	1540	1362	15
4	98	1540	1367	10
5	79	1540	1122	6
Total (+5/-10)			6523	76
Final stroke reduced by	250	Priming Volume		15
Cylinder Mass (Kg)	252	Total Volume (Litres)		91
Maximum Pressure (Bar)	190	Max. first stage thrust		225 KN

***TIPPING CAPACITY AT WORKING PRESSURE



BODY LENGTH (BL)						OH
7500	8000	8500				
29	51°	27	48°	26	45°	150
33	54°	30	50°	28	47°	450
38	56°	33	52°	30	49°	750

$d = 229$; $r = 750$; Working Pressure 175 bar

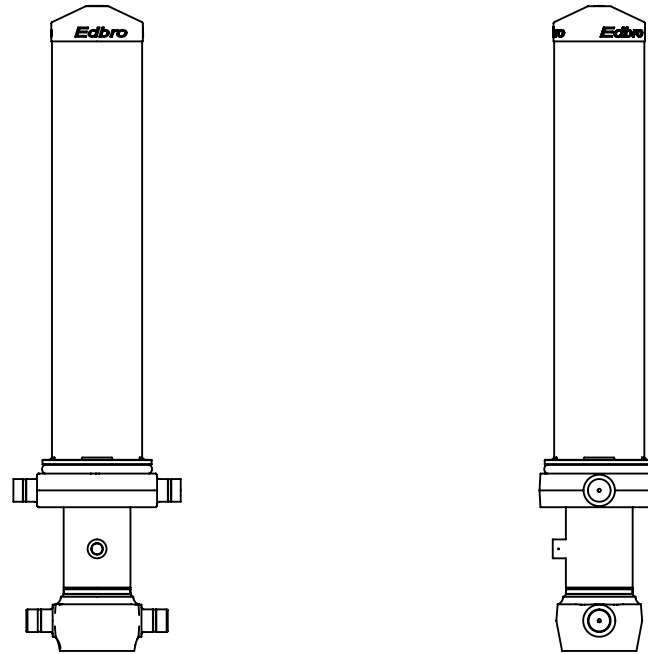
Tipping angle (θ)
Body + payload mass, W (tonne)

For guidance only;

Higher working pressures and tipping capacities may be possible.
To check your application email - applications@edbro.co.uk

NOTES

1. This cylinder is for lifting purposes only and side load conditions should be avoided
2. Cylinder is painted in primer paint to RAL5013
3. Refer to www.edbro.com for:-
 - Bracket details
 - Installation instructions that must be observed
 - Correct oil selection
 - An explanation of tipping capacity



CS150056527B19F11