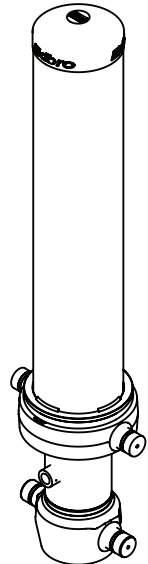
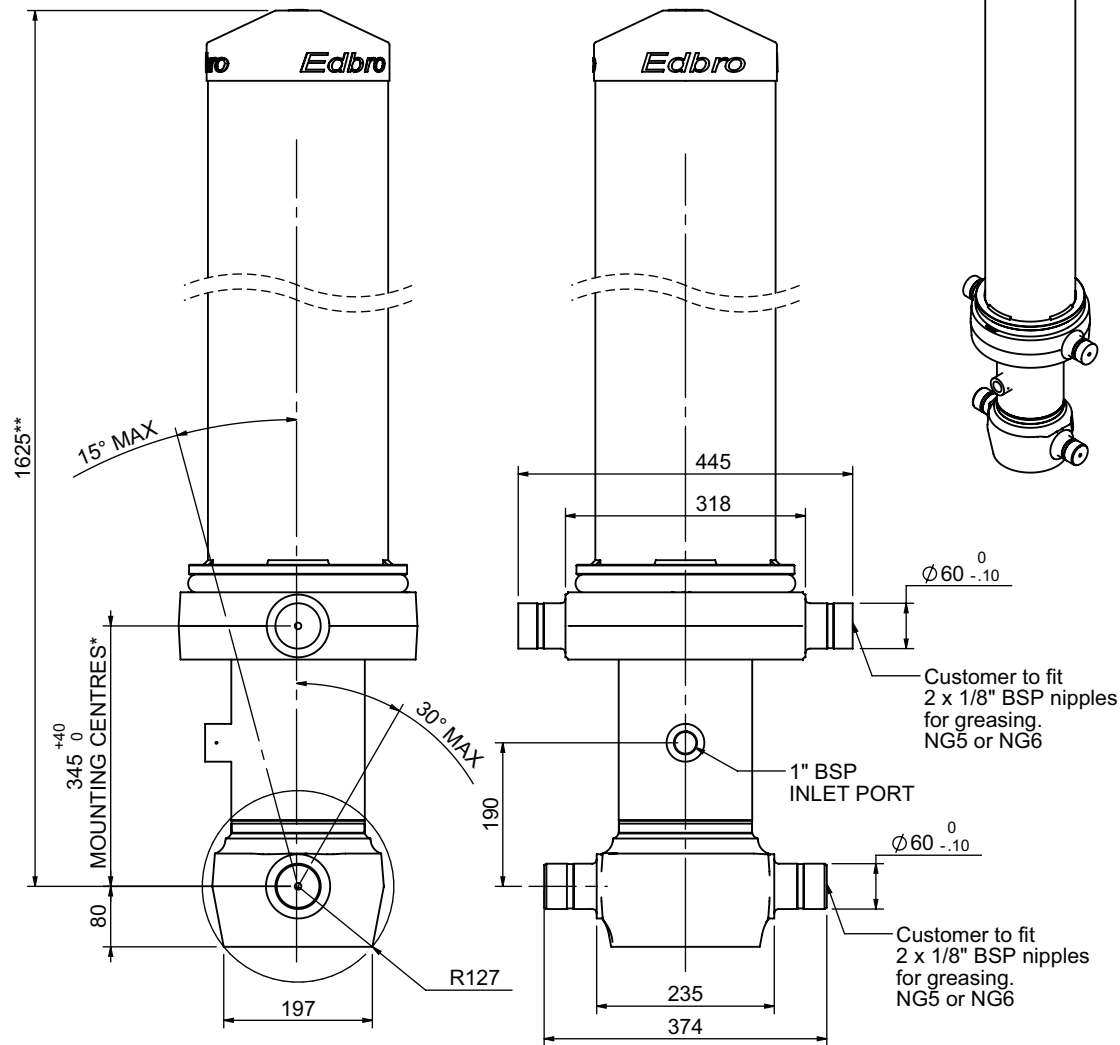


Cylinder 5 stage front end with Outer Cover

****ALLOW 50mm TO REMOVE CAP FOR SERVICING**

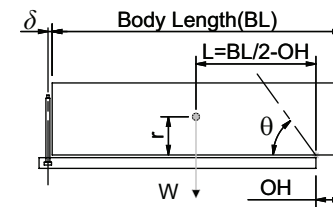


CS150056777B19A11C

SPECIFICATION		RATED CAPACITY : 24-33 TONNES***		
Stage	Diameter	Length	Stroke	Swept Volume
OUTER COVER	239	1245	-	-
0	177	1575	-	-
1	155	1540	1325	25
2	136	1540	1347	20
3	117	1540	1362	15
4	98	1540	1367	10
5	79	1540	1372	7
Final stroke reduced by	0	Total (+5/-10)	6773	77
Cylinder Mass (Kg)	251.77	Priming Volume	16	
Rated Pressure (Bar)	175	Total Volume (Litres)	93	
Maximum Pressure (Bar)	175	Max. first stage thrust	230 KN	

***TIPPING CAPACITY AT RATED PRESSURE

d = 229 ; r = 900



BODY LENGTH (BL)					OH	
8000	8500	9000				
27	50°	26	47°	24	44°	150
30	52°	28	49°	26	46°	450
33	54°	30	51°	28	47°	750

For guidance only;

Higher Rated Pressures may be possible. To check your application, email Edbro plc at <applications@edbro.co.uk>

NOTES

- If hydraulic pressure is used to limit overloading, the system relief valve must be set to the Rated Pressure unless agreed otherwise by Edbro
- The system relief valve can be set to Maximum Pressure if the load is limited by other means. See RATINGS page for advice
- This cylinder is for lifting purposes only and sload conditions must be avoided
- Cylinder is painted in primer paint to RAL5013
- See bracket options page BRKT01, BRKT02
- See installation instructions INSTALL01
- Use oil according to specification OIL01

***Include 11mm Pull Out All Stages Chrome Plated**



Edbro plc
 Nelson Street, Bolton, Lancashire BL3 2JJ UK
 Tel +44 (0) 1204 528888 Fax +44 (0) 1204 531957
 Email: postmaster@edbro.com Web: www.edbro.com

Technical Specifications are subject to change without notice
 Date Created/Updated: 03 October 2011 11:14:47
 Refer www.edbro.com to confirm latest specification
 All dimensions are in 'mm', unless otherwise stated