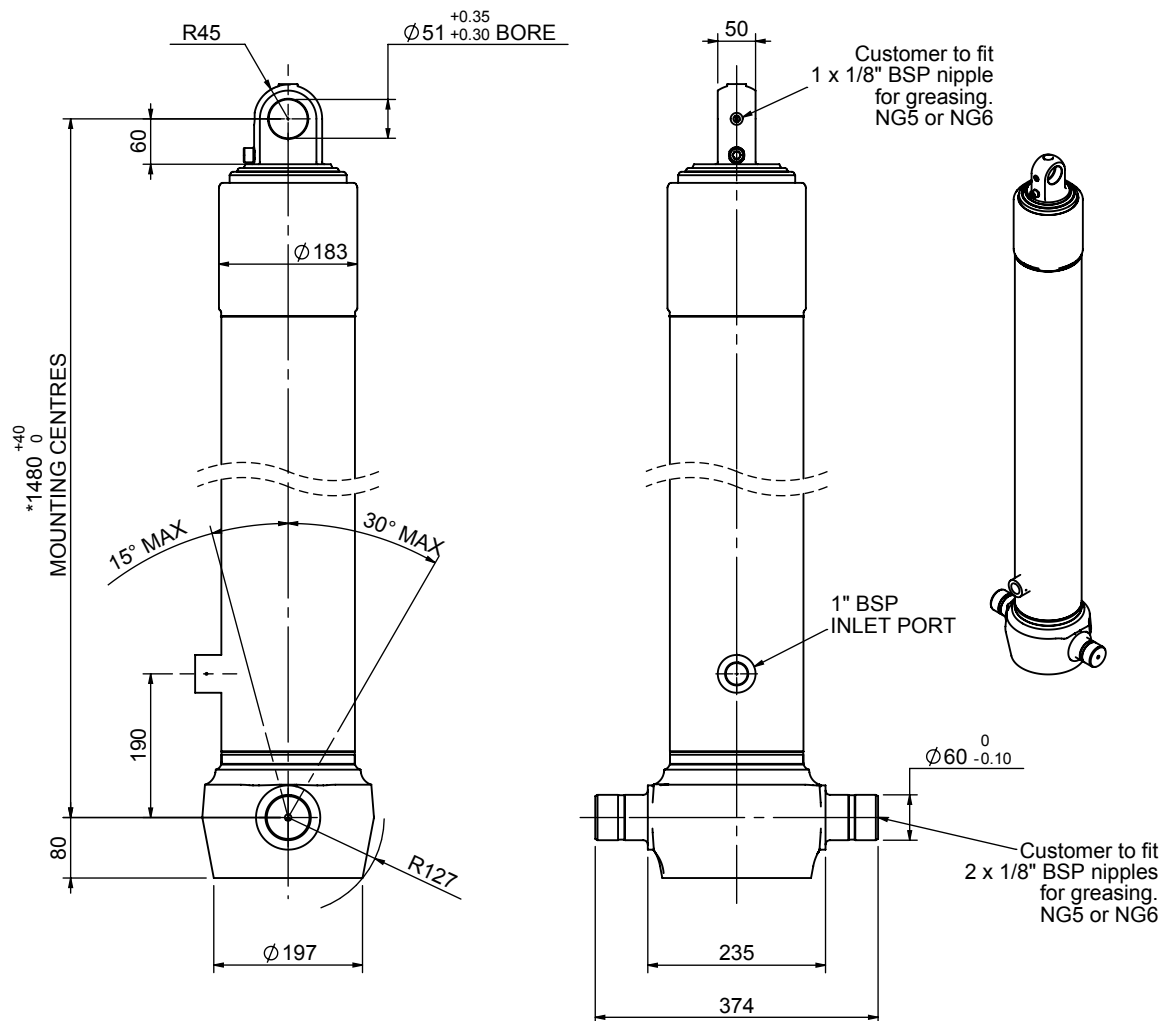


Cylinder 3 stage front end with plain eye

CS150E33739B19A01



SPECIFICATION

SPECIFICATION		TIPPING CAPACITY : 35-53 TONNES***		
Stage	Diameter	Length	Stroke	Swept Volume
-	-	-	-	-
-	-	-	-	-
-	-	-	-	-
0	177	1475	-	-
1	155	1440	1227	23
2	136	1440	1247	18
3	117	1340	1262	14
Total (+5/-10)			3736	55
Final stroke reduced by	0	Priming Volume		18
Cylinder Mass (Kg)	151	Total Volume (Litres)		73
Maximum Pressure (Bar)	190	Max. first stage thrust		225 KN

***TIPPING CAPACITY AT WORKING PRESSURE

BODY LENGTH (BL)		BODY LENGTH (BL)			OH	
5000	5250	5500				
37	46°	36	44°	35	42°	150
43	50°	41	47°	39	44°	450
53	54°	49	51°	45	48°	750

$d = 0$; $r = 750$; Working Pressure 120 bar
For guidance only;
 Higher working pressures and tipping capacities may be possible.
 To check your application email - applications@edbro.co.uk

NOTES

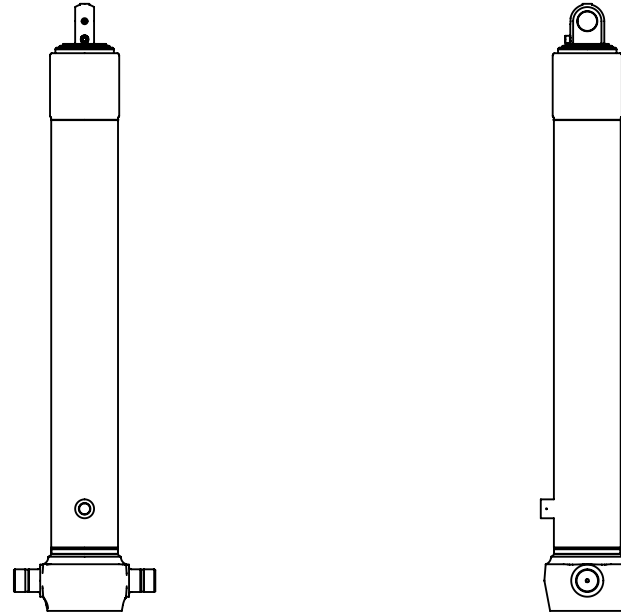
- This cylinder is for lifting purposes only and side load conditions should be avoided
- Cylinder is painted in primer paint to RAL5013
- Refer to www.edbro.com for:-
 - Bracket details
 - Installation instructions that must be observed
 - Correct oil selection
 - An explanation of tipping capacity

*Includes 9mm Pull Out.
 Last Stage Chrome Plated



Edbro plc
 Nelson Street, Bolton, England, BL3 2JJ
 Tel +44 (0) 1204 528888 Fax +44 (0) 1204 531957
 Email: postmaster@edbro.com Web: www.edbro.com

Technical Specifications are subject to change without notice
 Date Created/Updated: 04 September 2012
 Refer www.edbro.com to confirm latest specification
 All dimensions are in 'mm', unless otherwise stated



CS150E33739B19A01