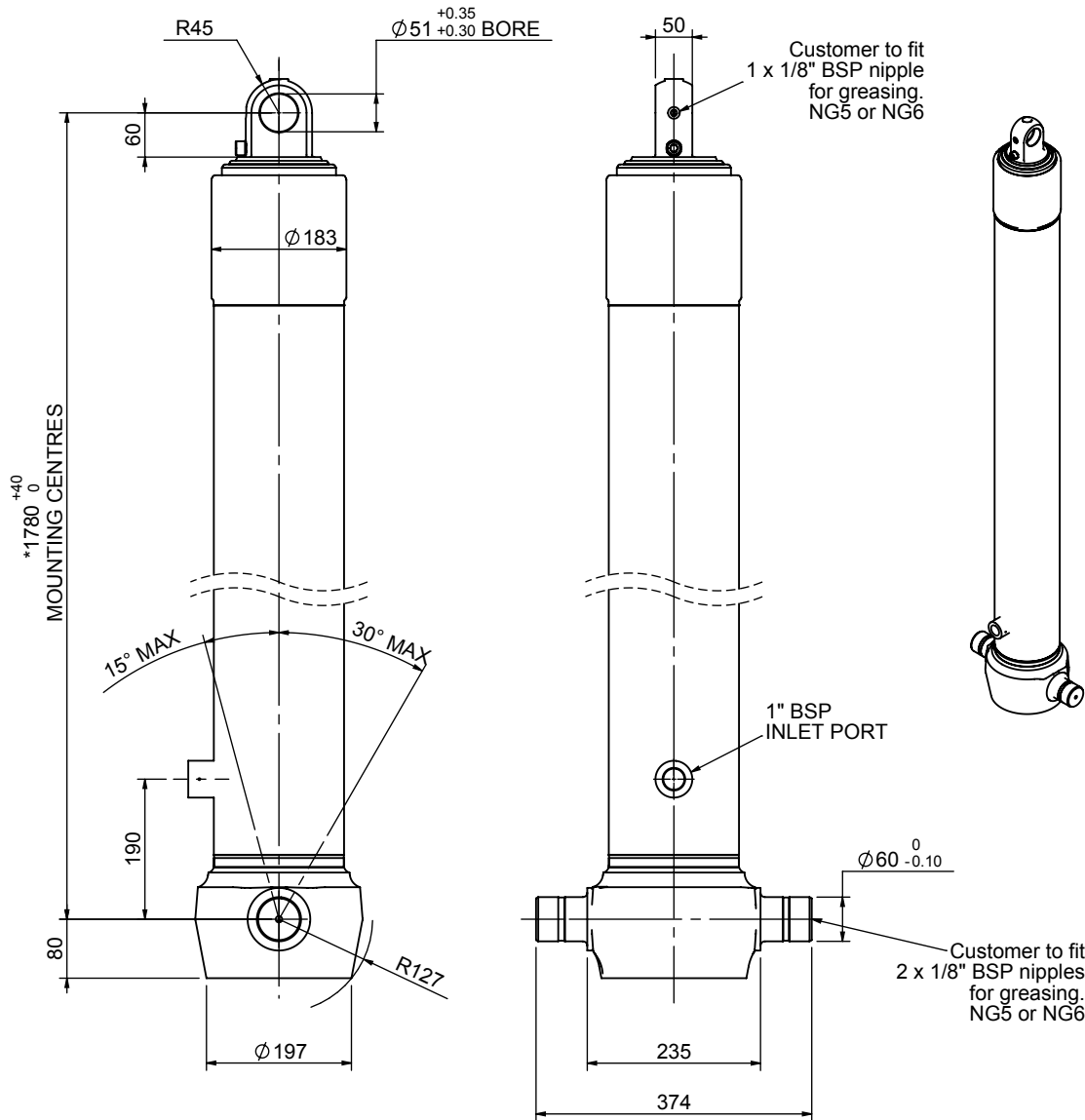


Cylinder 3 stage front end with plain eye

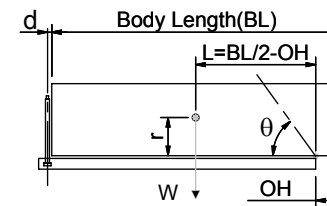
CS150E34639B19A01



SPECIFICATION TIPPING CAPACITY : 38-51 TONNES***

Stage	Diameter	Length	Stroke	Swept Volume
-	-	-	-	-
-	-	-	-	-
-	-	-	-	-
0	177	1775	-	-
1	155	1740	1527	29
2	136	1740	1547	22
3	117	1340	1562	17
Total (+5/-10)			4636	68
Final stroke reduced by	0	Priming Volume		22
Cylinder Mass (Kg)	175	Total Volume (Litres)		90
Maximum Pressure (Bar)	190	Max. first stage thrust		225 KN

***TIPPING CAPACITY AT WORKING PRESSURE



BODY LENGTH (BL)					OH	
6050	6300	6550				
40	47°	39	45°	38	43°	150
45	50°	43	48°	42	46°	450
51	54°	49	51°	47	48°	750

d = 0; r = 750; Working Pressure 135 bar

For guidance only;

Higher working pressures and tipping capacities may be possible.

To check your application email - applications@edbro.co.uk

NOTES

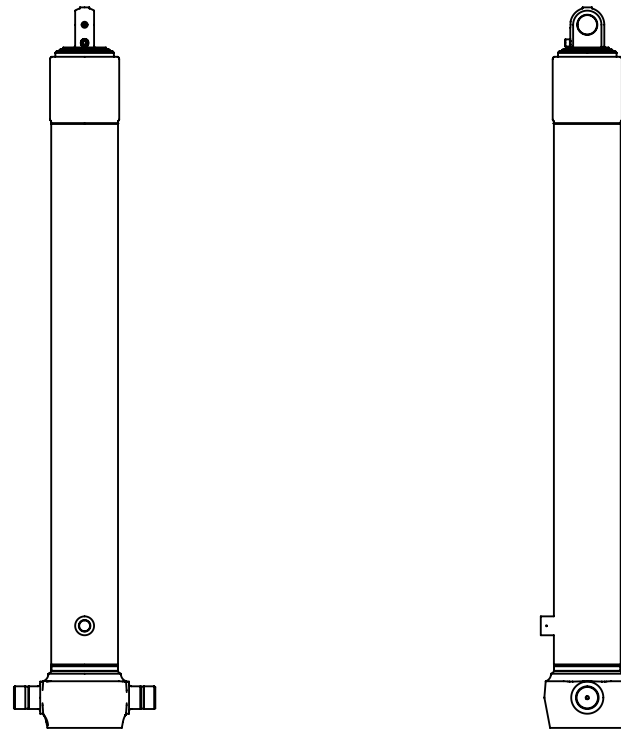
1. This cylinder is for lifting purposes only and side load conditions should be avoided
2. Cylinder is painted in primer paint to RAL5013
3. Refer to www.edbro.com for:-
 - Bracket details
 - Installation instructions that must be observed
 - Correct oil selection
 - An explanation of tipping capacity

*Includes 9mm Pull Out.
Last Stage Chrome Plated



Edbro plc
Nelson Street, Bolton, England, BL3 2JJ
Tel +44 (0) 1204 528888 Fax +44 (0) 1204 531957
Email: postmaster@edbro.com Web: www.edbro.com

Technical Specifications are subject to change without notice
Date Created/Updated: 04 September 2012
Refer www.edbro.com to confirm latest specification
All dimensions are in 'mm', unless otherwise stated



CS150E34639B19A01