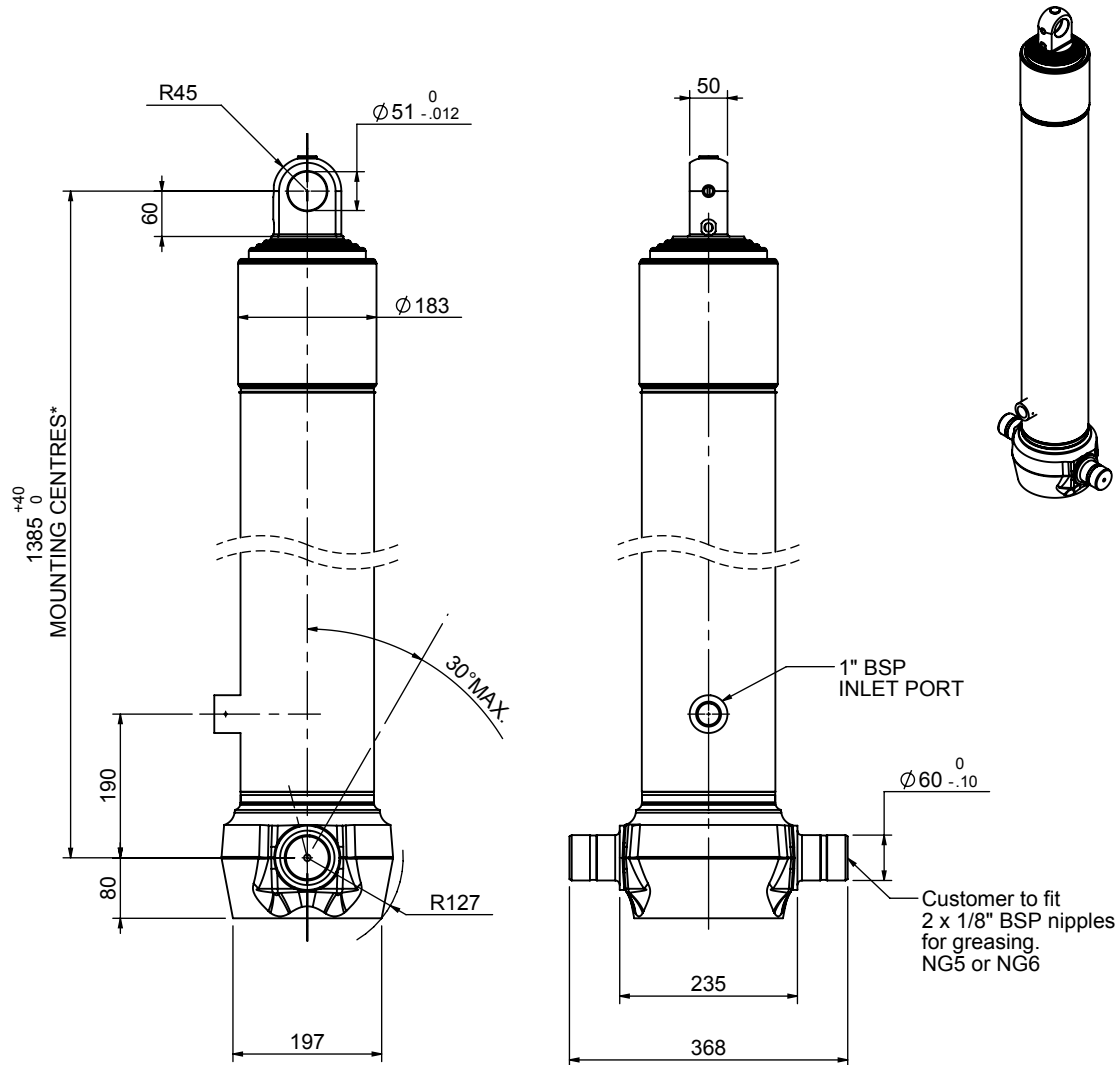


# Cylinder 4 stage front end with plain eye

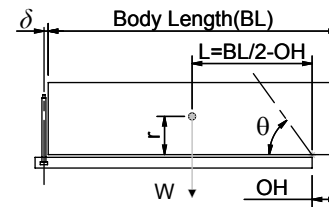


# CS150E44606B19A01

SPECIFICATION		RATED CAPACITY : 33-54 TONNES***		
Stage	Diameter	Length	Stroke	Swept Volume
-	-	-	-	-
-	-	-	-	-
0	177	1375	-	-
1	155	1340	1127	21
2	136	1340	1147	17
3	117	1340	1162	12
4	98	1340	1167	9
Final stroke reduced by	0	Total (+5/-10)	4603	59
Cylinder Mass (Kg)	160.51	Priming Volume	15	
Rated Pressure (Bar)	150	Total Volume (Litres)	74	
Maximum Pressure (Bar)	175	Max. first stage thrust	260 KN	

### \*\*\*TIPPING CAPACITY AT RATED PRESSURE

d = 0 ; r = 750



BODY LENGTH (BL)						OH
5750		6250		6750		
38	50°	35	45°	33	41°	150
44	53°	40	48°	37	44°	450
54	56°	46	51°	41	46°	750

Tipping angle (θ)  
 Body + payload mass, W (tonne)

### For guidance only;

Higher Rated Pressures may be possible. To check your application, email Edbro plc at <applications@edbro.co.uk>

### NOTES

- If hydraulic pressure is used to limit overloading, the system relief valve must be set to the Rated Pressure unless agreed otherwise by Edbro
- The system relief valve can be set to Maximum Pressure if the load is limited by other means. See RATINGS page for advice
- This cylinder is for lifting purposes only and sload conditions must be avoided
- Cylinder is painted in primer paint to RAL5013
- See bracket options page BRKT01, BRKT02
- See installation instructions INSTALL01
- Use oil according to specification OIL01

\*Include 9mm Pull Out Last Stage Chrome Plated



**Edbro plc**  
 Nelson Street, Bolton, Lancashire BL3 2JJ UK  
 Tel +44 (0) 1204 528888 Fax +44 (0) 1204 531957  
 Email: postmaster@edbro.com Web: www.edbro.com

Technical Specifications are subject to change without notice  
 Date Created/Updated: 07 December 2009 09:45:02  
 Refer www.edbro.com to confirm latest specification  
 All dimensions are in 'mm', unless otherwise stated