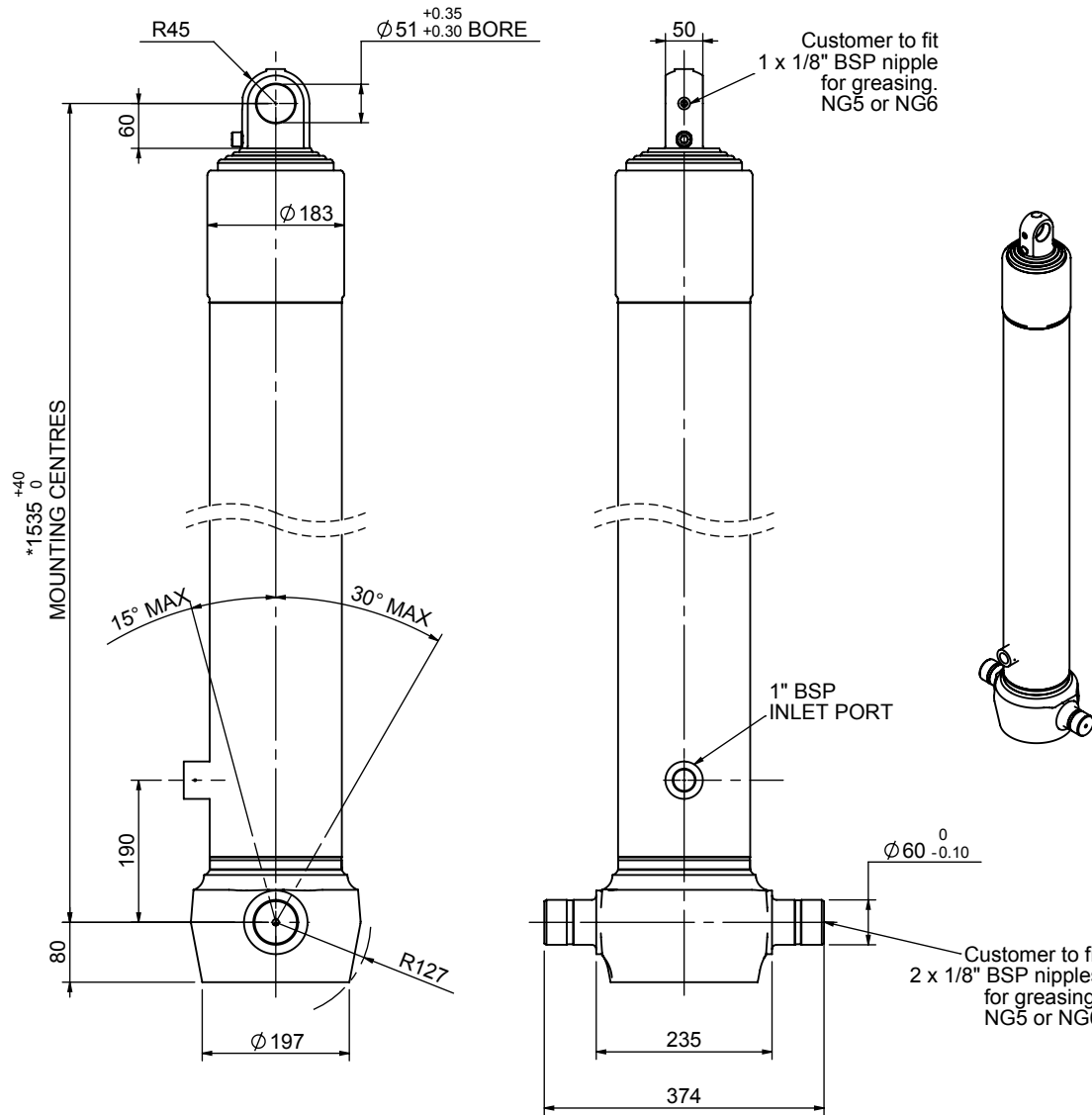


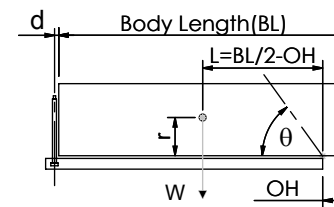
Cylinder 4 stage front end with plain eye

CS150E45206B19A01



SPECIFICATION		TIPPING CAPACITY : 30-44 TONNES***		
Stage	Diameter	Length	Stroke	Swept Volume
-	-	-	-	-
-	-	-	-	-
0	177	1525	-	-
1	155	1490	1277	24
2	136	1490	1297	19
3	117	1490	1312	14
4	98	1490	1317	10
Total (+5/-10)			5203	67
Final stroke reduced by	0	Priming Volume		17
Cylinder Mass (Kg)	172	Total Volume (Litres)		84
Maximum Pressure (Bar)	190	Max. first stage thrust		225 KN

***TIPPING CAPACITY AT WORKING PRESSURE



BODY LENGTH (BL)						OH
6500		7000		7500		
34	49°	32	46°	30	42°	150
38	52°	35	48°	33	44°	450
44	55°	39	50°	36	46°	750

d = 0; r = 750; Working Pressure 150 bar

For guidance only;

Higher working pressures and tipping capacities may be possible.
To check your application email - applications@edbro.co.uk

NOTES

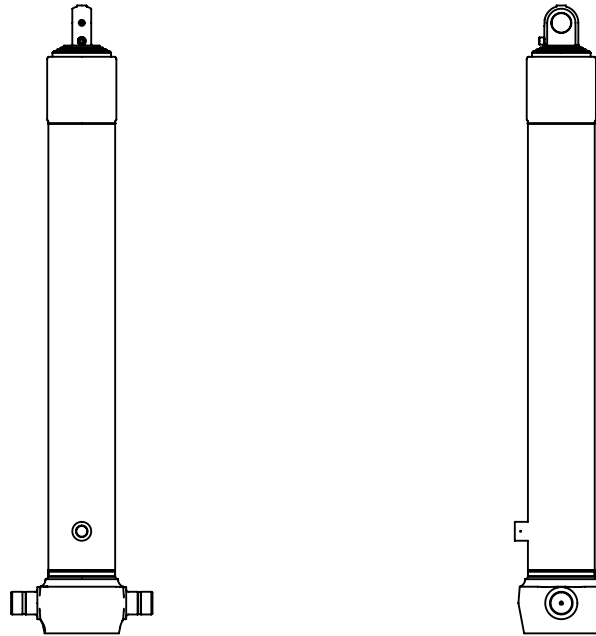
- This cylinder is for lifting purposes only and side load conditions should be avoided
- Cylinder is painted in primer paint to RAL5013
- Refer to www.edbro.com for:-
 - Bracket details
 - Installation instructions that must be observed
 - Correct oil selection
 - An explanation of tipping capacity

*Includes 9mm Pull Out.
Last Stage Chrome Plated

Edbro
SETTING THE INDUSTRY STANDARD

Edbro plc
Nelson Street, Bolton, England, BL3 2JJ
Tel +44 (0) 1204 528888 Fax +44 (0) 1204 531957
Email: postmaster@edbro.com Web: www.edbro.com

Technical Specifications are subject to change without notice
Date Created/Updated: 18 July 2012
Refer www.edbro.com to confirm latest specification
All dimensions are in 'mm', unless otherwise stated



CS150E45206B19A01