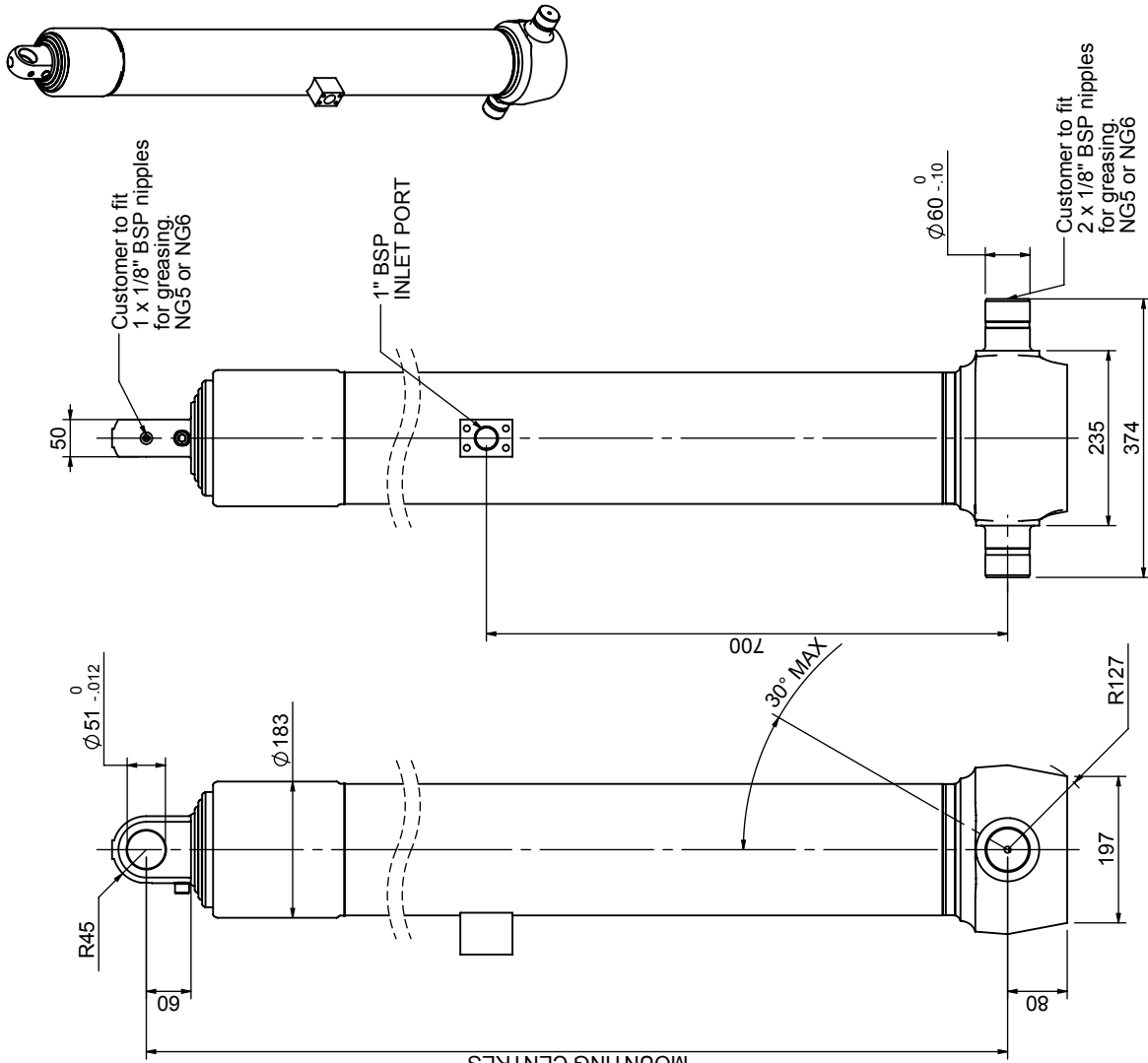


Cylinder 4 stage front end with plain eye

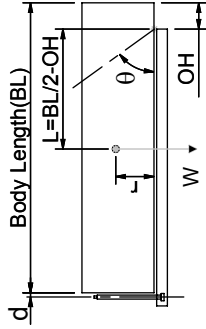
CS150E45606S70A01

SPECIFICATION		RATED CAPACITY : 27-37 TONNES***		
Stage	Diameter	Length	Stroke	Swept Volume
-	-	-	-	-
-	-	-	-	-
0	177	1625	-	-
1	155	1590	1377	26
2	136	1590	1397	20
3	117	1590	1412	15
4	98	1590	1417	11
Final stroke reduced by	0	Total (+5/-10)	5603	72
Cylinder Mass (Kg)	181.59	Priming Volume		18
Rated Pressure (Bar)	135	Total Volume (Litres)		90
Maximum Pressure (Bar)	175	Max. first stage thrust		230 KN

1635
0
40
MOUNTING CENTRES*



$d = 0 ; r = 750$



BODY LENGTH (BL)	OH					
	7000	7500	8000			
30	49°	28	46°	27	43°	150
33	52°	31	48°	29	44°	450
37	55°	34	50°	32	46°	750

— Tipping angle (θ)
— Body + payload mass, W (tonne)

For guidance only;
Higher Rated Pressures may be possible. To check your application, email Edbro plc at <applications@edbro.co.uk>

NOTES

- If hydraulic pressure is used to limit overloading, the system relief valve must be set to the Rated Pressure unless agreed otherwise by Edbro
- The system relief valve can be set to Maximum Pressure if the load is limited by other means. See RATINGS page for advice
- This cylinder is for lifting purposes only and sideload conditions must be avoided
- Cylinder is painted in primer paint to RAL5013
- See bracket options page BRKT01, BRKT02
- See installation instructions INSTALL01
- Use oil according to specification OIL01

***Include 9mm Pull Out Last Stage Chrome Plated**

Edbro
SETTING THE INDUSTRY STANDARD

Edbro plc
Nelson Street, Bolton, Lancashire BL3 2JJ UK
Tel +44 (0) 1204 528888 Fax +44 (0) 1204 531957
Email: postmaster@edbro.com Web: www.edbro.com

Technical Specifications are subject to change without notice
Date Created/Updated: 18 July 2012 16:31:30
Refer www.edbro.com to confirm latest specification
All dimensions are in 'mm', unless otherwise stated