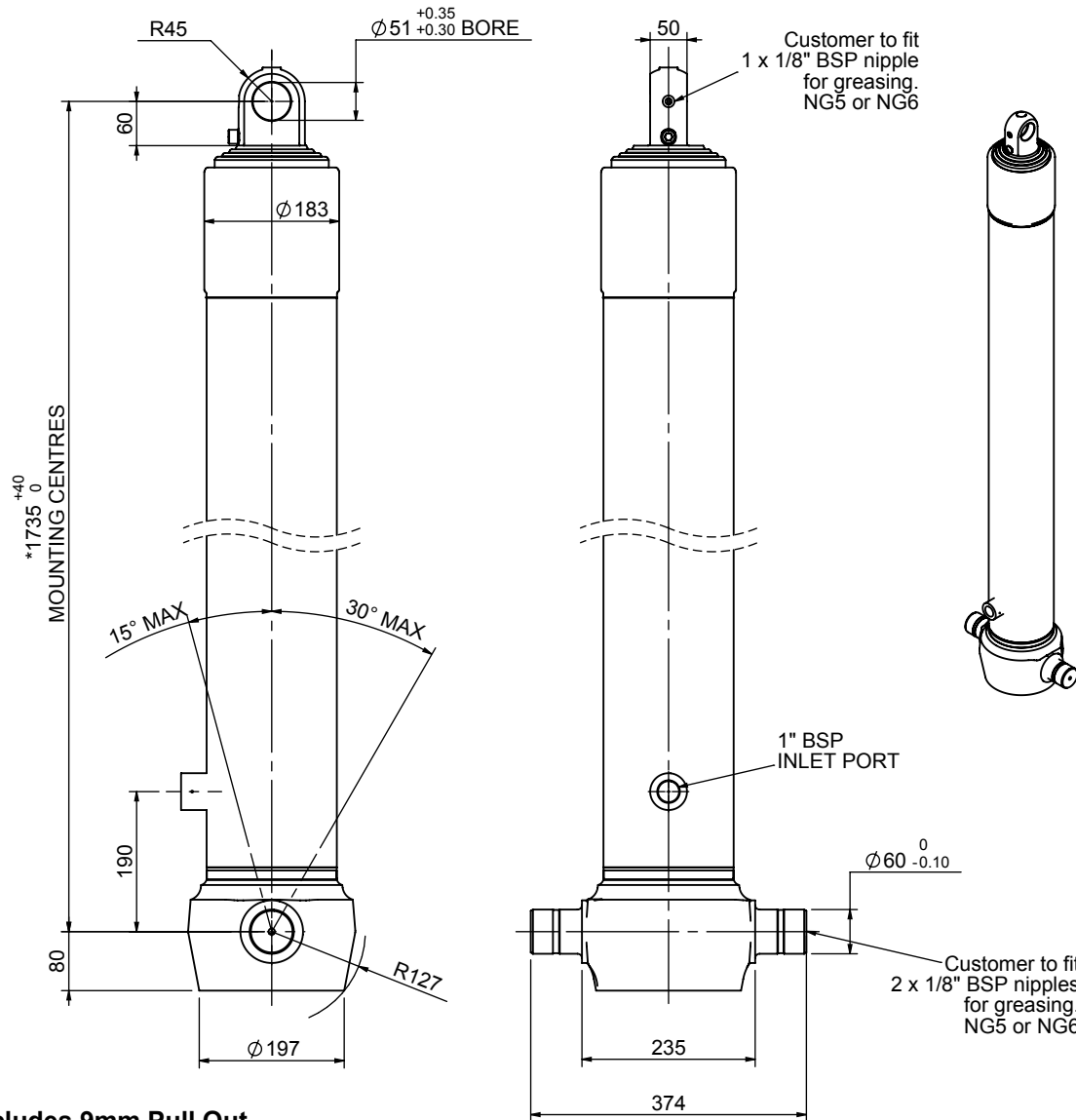


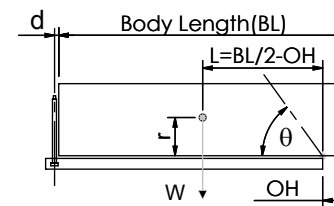
Cylinder 4 stage front end with plain eye

CS150E46006B19A01



SPECIFICATION		TIPPING CAPACITY : 24-32 TONNES***		
Stage	Diameter	Length	Stroke	Swept Volume
-	-	-	-	-
-	-	-	-	-
0	177	1725	-	-
1	155	1690	1477	28
2	136	1690	1497	22
3	117	1690	1512	16
4	98	1690	1517	11
Total (+5/-10)			6003	77
Final stroke reduced by	0	Priming Volume		20
Cylinder Mass (Kg)	190	Total Volume (Litres)		97
Maximum Pressure (Bar)	190	Max. first stage thrust		225 KN

***TIPPING CAPACITY AT WORKING PRESSURE



BODY LENGTH (BL)					OH	
7500	8000	8500				
26	49°	25	46°	24	43°	150
28	52°	27	48°	25	45°	450
32	54°	29	50°	27	46°	750

$d = 0$; $r = 750$; Working Pressure 120 bar

For guidance only;

Higher working pressures and tipping capacities may be possible.

To check your application email - applications@edbro.co.uk

NOTES

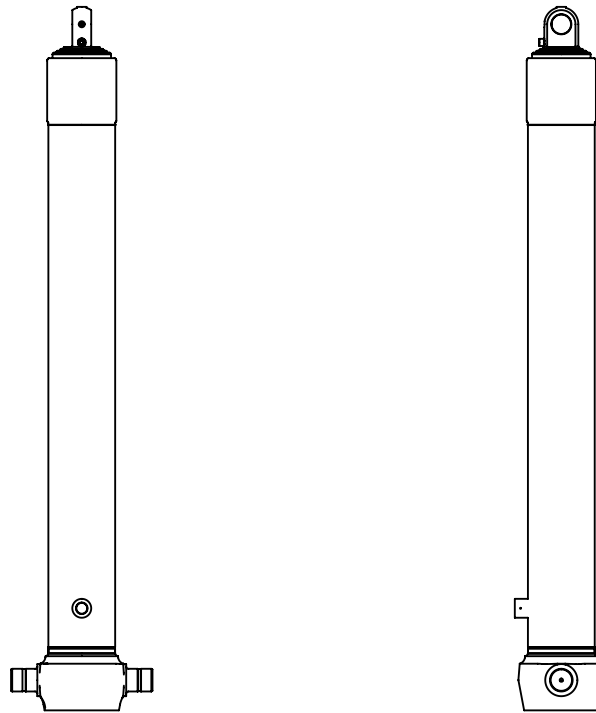
- This cylinder is for lifting purposes only and side load conditions should be avoided
- Cylinder is painted in primer paint to RAL5013
- Refer to www.edbro.com for:-
 - Bracket details
 - Installation instructions that must be observed
 - Correct oil selection
 - An explanation of tipping capacity

*Includes 9mm Pull Out. Last Stage Chrome Plated



Edbro plc
 Nelson Street, Bolton, England, BL3 2JJ
 Tel +44 (0) 1204 528888 Fax +44 (0) 1204 531957
 Email: postmaster@edbro.com Web: www.edbro.com

Technical Specifications are subject to change without notice
 Date Created/Updated: 18 July 2012
 Refer www.edbro.com to confirm latest specification
 All dimensions are in 'mm', unless otherwise stated



CS150E46006B19A01