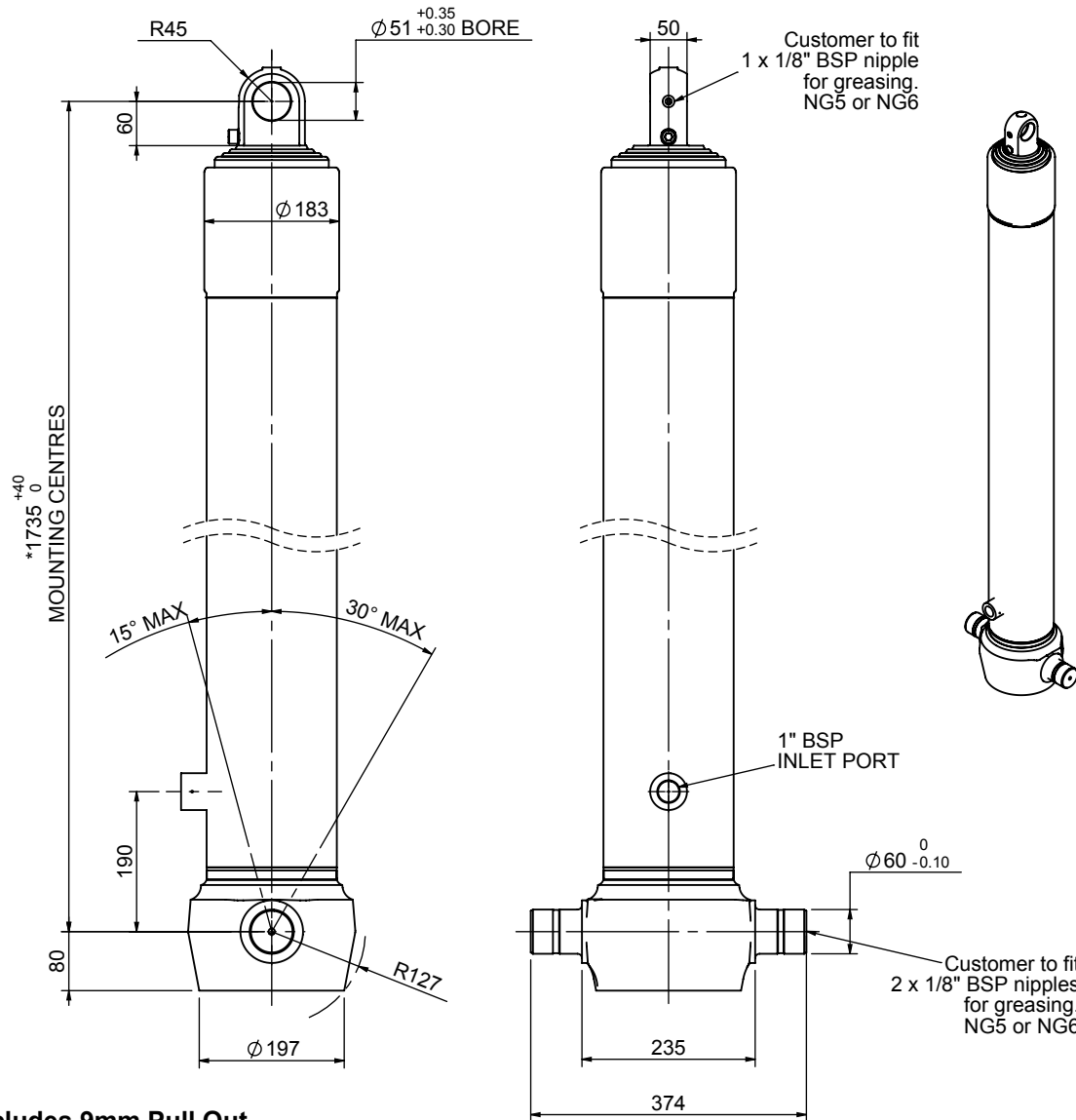


Cylinder 4 stage front end with plain eye

CS150E46006B19A01C

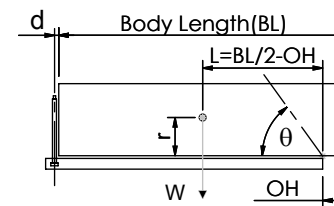


*Includes 9mm Pull Out.
All Stages Chrome Plated

SPECIFICATION

SPECIFICATION		TIPPING CAPACITY : 24-32 TONNES***		
Stage	Diameter	Length	Stroke	Swept Volume
-	-	-	-	-
-	-	-	-	-
0	177	1725	-	-
1	155	1690	1477	28
2	136	1690	1497	22
3	117	1690	1512	16
4	98	1690	1517	11
Total (+5/-10)			6003	77
Final stroke reduced by	0	Priming Volume		20
Cylinder Mass (Kg)	190	Total Volume (Litres)		97
Maximum Pressure (Bar)	190	Max. first stage thrust		225 KN

***TIPPING CAPACITY AT WORKING PRESSURE



BODY LENGTH (BL)					OH	
7500	8000	8500				
26	49°	25	46°	24	43°	150
28	52°	27	48°	25	45°	450
32	54°	29	50°	27	46°	750

d = 0; r = 750; Working Pressure 120 bar

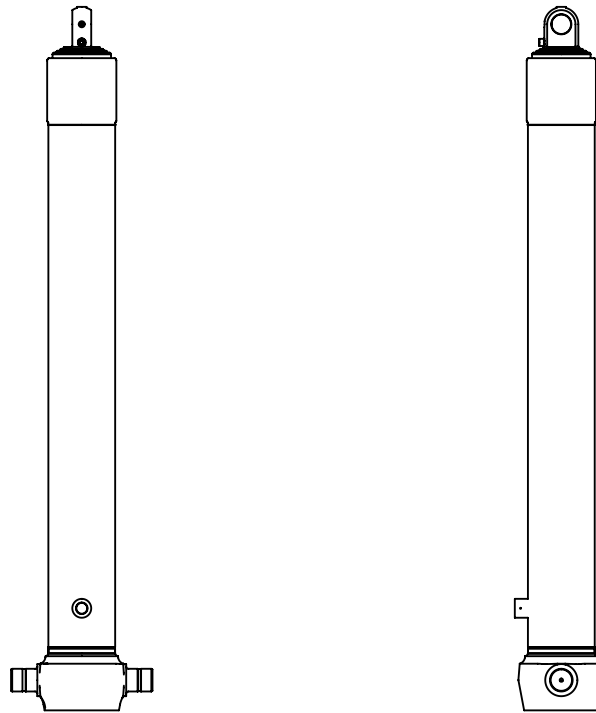
For guidance only;

Higher working pressures and tipping capacities may be possible.

To check your application email - applications@edbro.co.uk

NOTES

1. This cylinder is for lifting purposes only and side load conditions should be avoided
2. Cylinder is painted in primer paint to RAL5013
3. Refer to www.edbro.com for:-
 - Bracket details
 - Installation instructions that must be observed
 - Correct oil selection
 - An explanation of tipping capacity



CS150E46006B19A01C