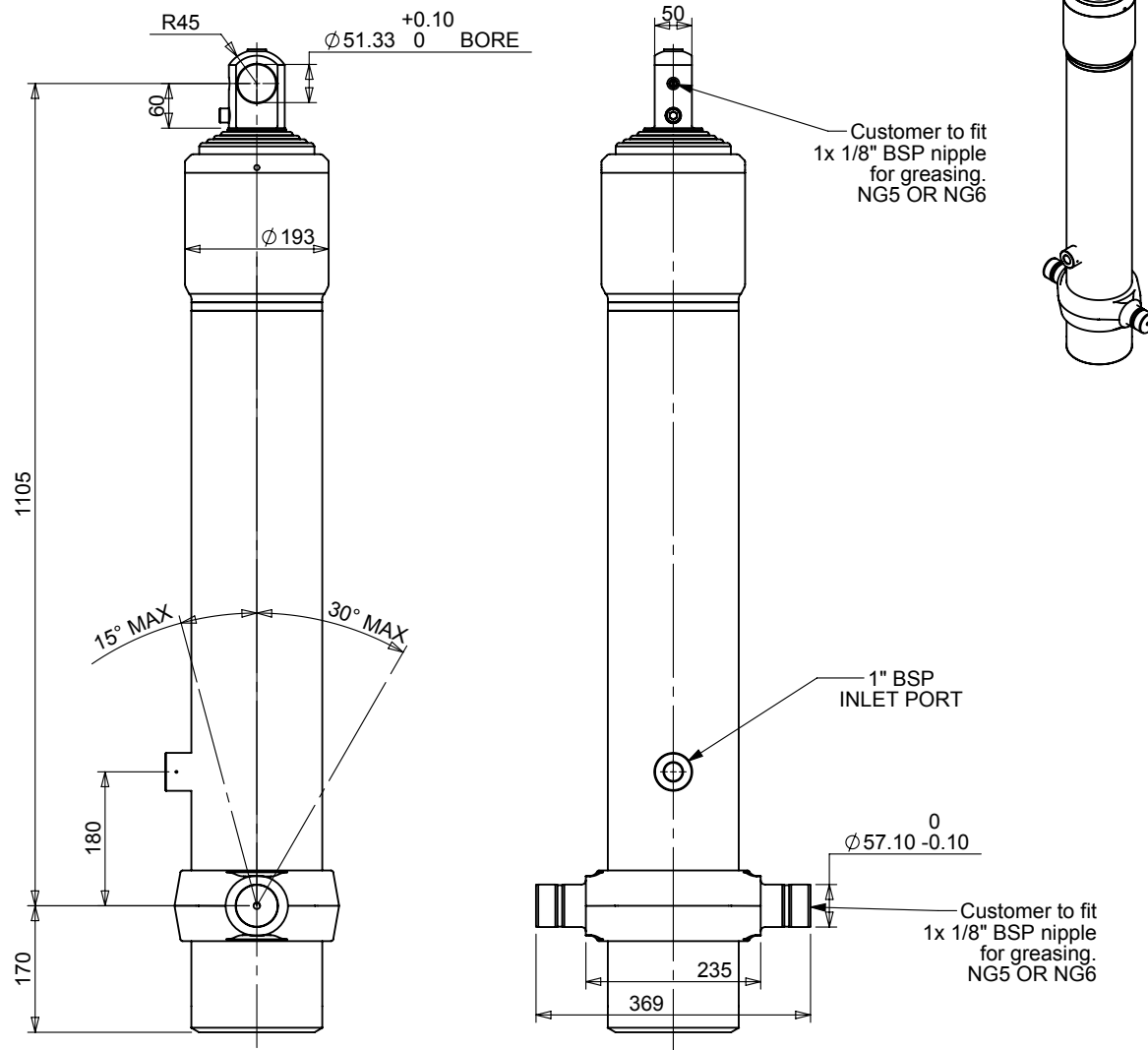


# Cylinder 5 stage front end with plain eye

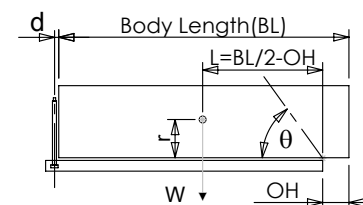


## CS150E504778A137

### SPECIFICATION

SPECIFICATION		TIPPING CAPACITY : SEE BELOW***		
Stage	Diameter	Length	Stroke	Swept Volume
-	-	-	-	-
0	176	1155	-	-
1	155	1140	930	18
2	136	1140	947	14
3	117	1140	962	10
4	98	1140	967	7
5	79	1140	972	5
Total (+5/-10)			4778	54
Final stroke reduced by	0	Priming Volume		12
Cylinder Mass (kg)	144	Total Volume (Litres)		66
Maximum Pressure (Bar)	150	Max. first stage thrust		225 kN

### \*\*\*TIPPING CAPACITY AT WORKING PRESSURE



BODY LENGTH (BL)					OH	
8500	9000	9500				
51	50°	48	47°	46	44°	150
55	52°	52	49°	49	46°	450
61	54°	56	51°	53	48°	750

d = 0; r = 900; Working Pressure 135 bar

### For guidance only;

Higher working pressures and tipping capacities may be possible.  
To check your application email - [applications@edbro.co.uk](mailto:applications@edbro.co.uk)

### NOTES

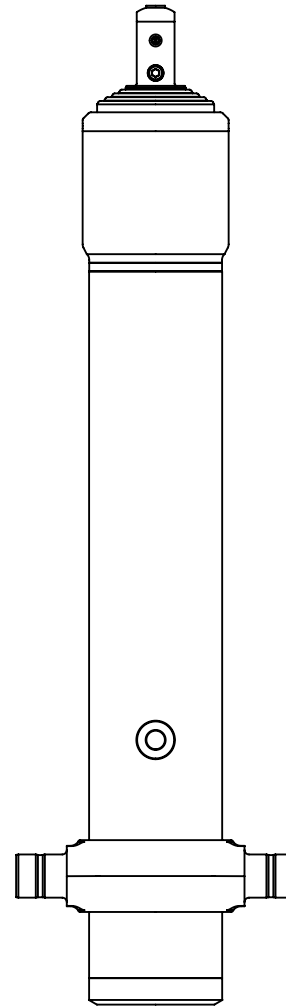
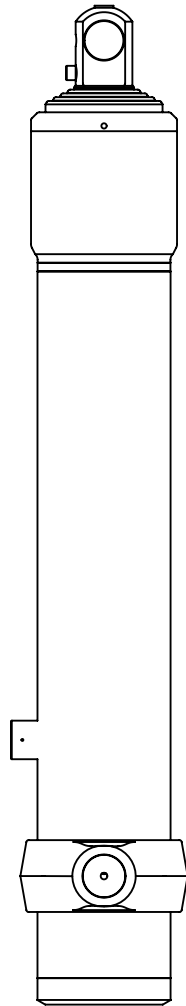
1. This cylinder is for lifting purposes only and side load conditions should be avoided
2. Cylinder is painted in primer paint to RAL5013
3. Refer to [www.edbro.com](http://www.edbro.com) for:-
  - Bracket details
  - Installation instructions that must be observed
  - Correct oil selection
  - An explanation of tipping capacity

\*Includes 10mm Pull Out. All Stages Chrome Plated



**JOST UK Ltd**  
Edbro House, Nelson Street, Bolton, England, BL3 2JJ  
Tel +44 (0) 1204 528888 Fax +44 (0) 1204 531957  
Email: [sales@edbro.com](mailto:sales@edbro.com) Web: [www.edbro.com](http://www.edbro.com)

Technical Specifications are subject to change without notice  
Date Created/Updated: 27 April 2016  
Refer [www.edbro.com](http://www.edbro.com) to confirm latest specification  
All dimensions are in 'mm', unless otherwise stated



CS150E504778A137