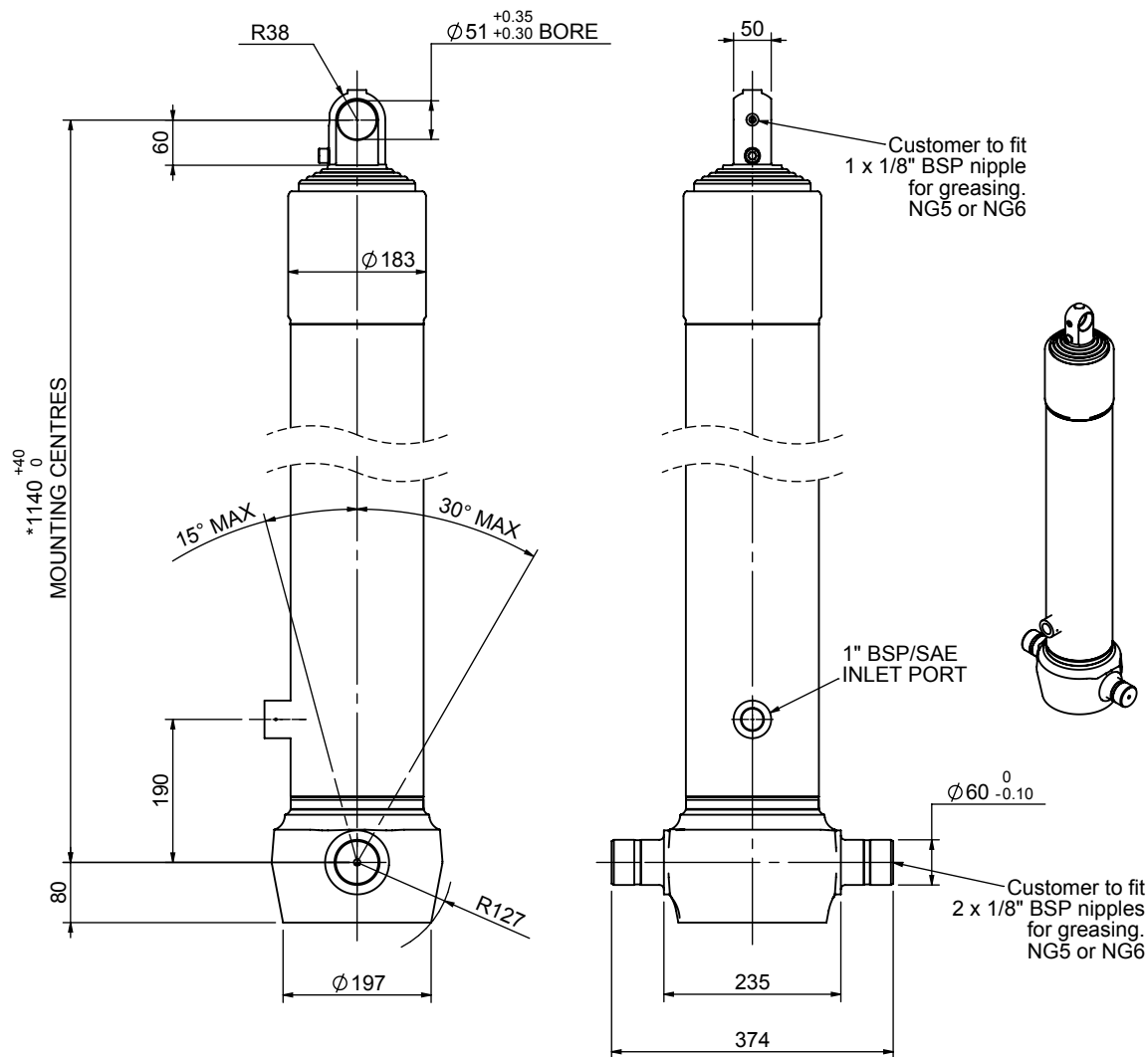


Cylinder 5 stage front end with plain eye



CS150E54528B19A01C

SPECIFICATION TIPPING CAPACITY : 25-39 TONNES***

Stage	Diameter	Length	Stroke	Swept Volume
-	-	-	-	-
0	177	1125	-	-
1	155	1090	877	17
2	136	1090	897	13
3	117	1090	912	10
4	98	1090	917	7
5	80	1090	922	5
Total (+5/-10)			4525	52
Final stroke reduced by	0	Priming Volume		11
Cylinder Mass (Kg)	143	Total Volume (Litres)		63
Maximum Pressure (Bar)	190	Max. first stage thrust		225 KN

***TIPPING CAPACITY AT WORKING PRESSURE

		BODY LENGTH (BL)				OH
		5800	6050	6300		
27	48°	26	46°	25	44°	150
32	51°	30	49°	28	46°	450
39	55°	36	52°	33	49°	750

$d = 0; r = 750$; Working Pressure 175 bar
For guidance only;
 Higher working pressures and tipping capacities may be possible.
 To check your application email - applications@edbro.co.uk

NOTES

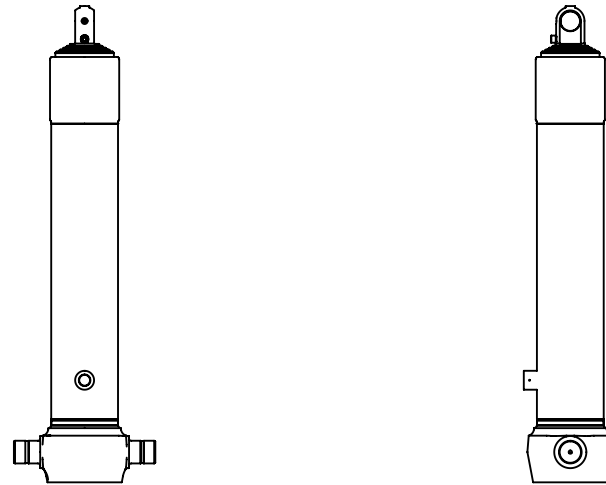
- This cylinder is for lifting purposes only and side load conditions should be avoided
- Cylinder is painted in primer paint to RAL5013
- Refer to www.edbro.com for:-
 - Bracket details
 - Installation instructions that must be observed
 - Correct oil selection
 - An explanation of tipping capacity

*Includes 9mm Pull Out.
 All Stages Chrome Plated



Edbro plc
 Nelson Street, Bolton, England, BL3 2JJ
 Tel +44 (0) 1204 528888 Fax +44 (0) 1204 531957
 Email: postmaster@edbro.com Web: www.edbro.com

Technical Specifications are subject to change without notice
 Date Created/Updated: 04 September 2012
 Refer www.edbro.com to confirm latest specification
 All dimensions are in 'mm', unless otherwise stated



CS150E54528B19A01C

