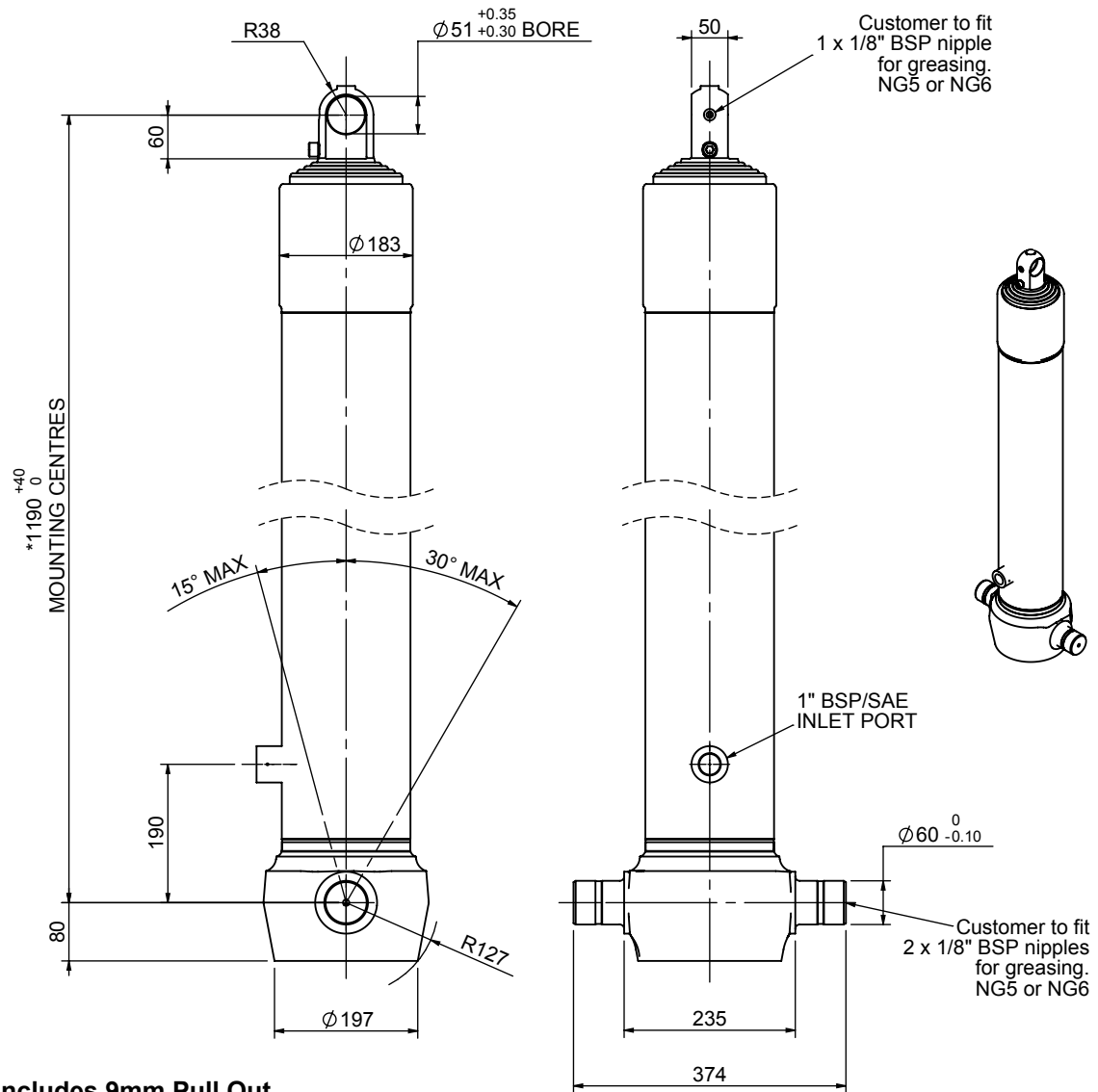


Cylinder 5 stage front end with plain eye

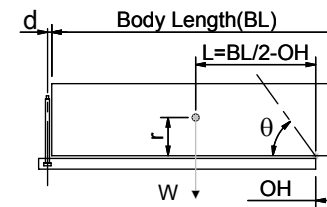
CS150E54778B19A01C



SPECIFICATION TIPPING CAPACITY : 25-38 TONNES***

Stage	Diameter	Length	Stroke	Swept Volume
-	-	-	-	-
0	177	1175	-	-
1	155	1140	927	17
2	136	1140	947	14
3	117	1140	962	10
4	98	1140	967	7
5	80	1140	972	5
Total (+5/-10)			4775	53
Final stroke reduced by	0	Priming Volume		12
Cylinder Mass (Kg)	148	Total Volume (Litres)		65
Maximum Pressure (Bar)	190	Max. first stage thrust		225 KN

***TIPPING CAPACITY AT WORKING PRESSURE



BODY LENGTH (BL)						OH
6050	6300	6550				
27	49°	26	47°	25	45°	150
31	52°	30	49°	28	47°	450
38	55°	35	52°	32	50°	750

$d = 0$; $r = 750$; Working Pressure 175 bar

For guidance only;

Higher working pressures and tipping capacities may be possible.

To check your application email - applications@edbro.co.uk

NOTES

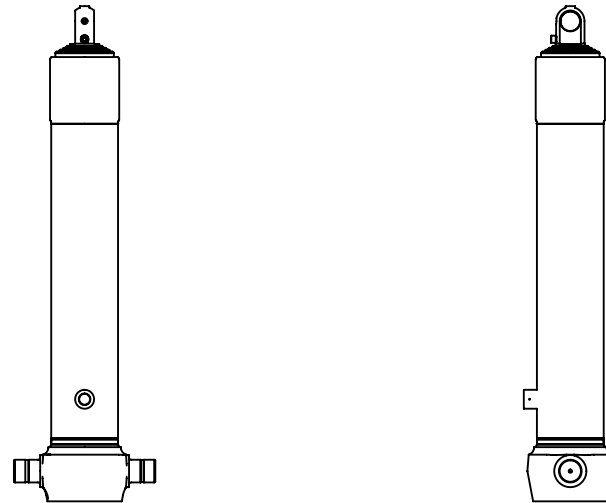
1. This cylinder is for lifting purposes only and side load conditions should be avoided
2. Cylinder is painted in primer paint to RAL5013
3. Refer to www.edbro.com for:-
 - Bracket details
 - Installation instructions that must be observed
 - Correct oil selection
 - An explanation of tipping capacity

*Includes 9mm Pull Out.
All Stages Chrome Plated

Edbro
SETTING THE INDUSTRY STANDARD

Edbro plc
Nelson Street, Bolton, England, BL3 2JJ
Tel +44 (0) 1204 528888 Fax +44 (0) 1204 531957
Email: postmaster@edbro.com Web: www.edbro.com

Technical Specifications are subject to change without notice
Date Created/Updated: 04 September 2012
Refer www.edbro.com to confirm latest specification
All dimensions are in 'mm', unless otherwise stated



CS150E54778B19A01C