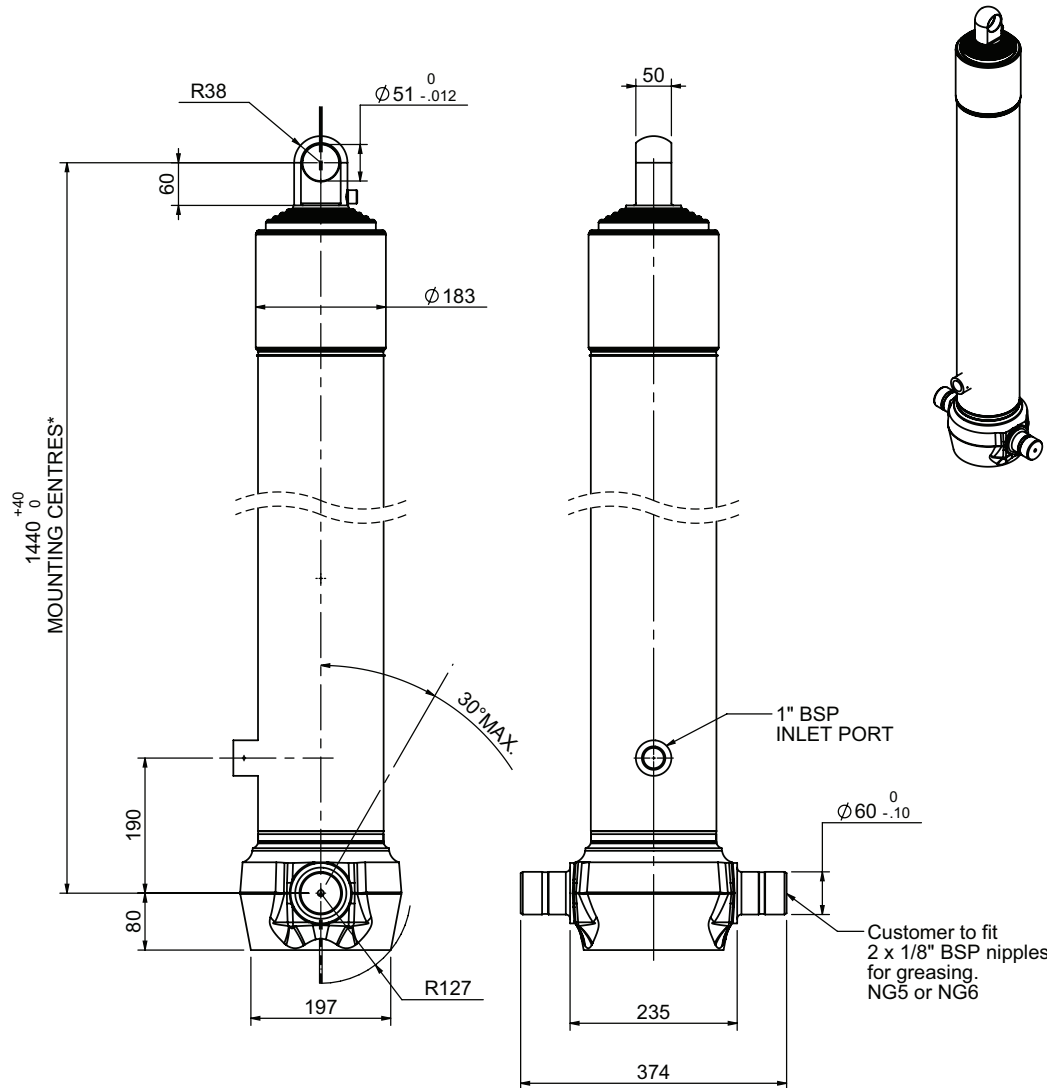


Cylinder 5 stage front end with plain eye

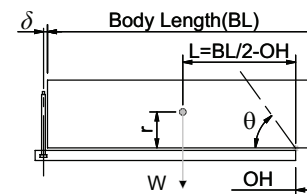
CS150E56028B19A01C



SPECIFICATION		RATED CAPACITY : 17-22 TONNES***		
Stage	Diameter	Length	Stroke	Swept Volume
-	-	-	-	-
0	177	-	-	-
1	155	1425	1177	-
2	136	1390	1197	17
3	117	1390	1212	13
4	102	1390	1217	10
5	79.74	1390	1222	6
Final stroke reduced by	0	Total (+5/-10)	6025	46
Cylinder Mass (Kg)	167.16	Priming Volume	14.5	
Rated Pressure (Bar)	120	Total Volume (Litres)	60.5	
Maximum Pressure (Bar)	175	Max. first stage thrust	230 KN	

***TIPPING CAPACITY AT RATED PRESSURE

$d = 0 ; r = 750$



BODY LENGTH (BL)						OH
7500		7750		8000		
18	49°	17	48°	17	46°	150
20	52°	19	50°	18	48°	450
22	54°	21	52°	20	50°	750

Tipping angle (θ)
Body + payload mass, W (tonne)

For guidance only;

Higher Rated Pressures may be possible. To check your application, email Edbro plc at <applications@edbro.co.uk>

NOTES

- If hydraulic pressure is used to limit overloading, the system relief valve must be set to the Rated Pressure unless agreed otherwise by Edbro
- The system relief valve can be set to Maximum Pressure if the load is limited by other means. See RATINGS page for advice
- This cylinder is for lifting purposes only and sideload conditions must be avoided
- Cylinder is painted in primer paint to RAL5013
- See bracket options page BRKT01, BRKT02
- See installation instructions INSTALL01
- Use oil according to specification OIL01

*Include 9mm Pull Out
All Stages Chrome Plated

Edbro
SETTING THE INDUSTRY STANDARD

Edbro plc
Nelson Street, Bolton, Lancashire BL3 2JJ UK
Tel +44 (0) 1204 528888 Fax +44 (0) 1204 531957
Email: postmaster@edbro.com Web: www.edbro.com

Technical Specifications are subject to change without notice
Date Created/Updated: 06 April 2011 09:54:49
Refer www.edbro.com to confirm latest specification
All dimensions are in 'mm', unless otherwise stated