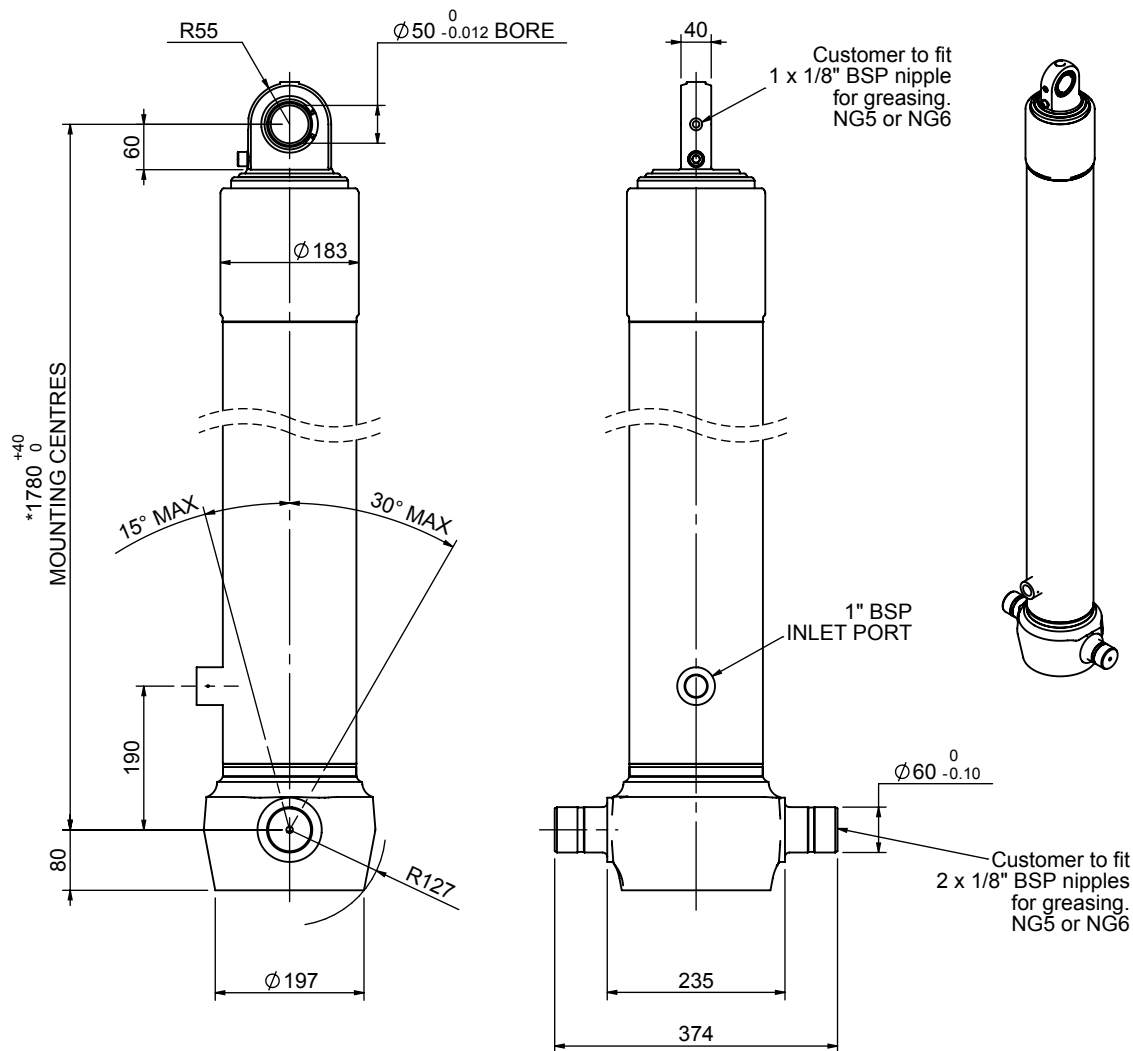


Cylinder 3 stage front end with spherical eye

CS150S34639B19A01C



SPECIFICATION

SPECIFICATION		TIPPING CAPACITY : 38-51 TONNES***		
Stage	Diameter	Length	Stroke	Swept Volume
-	-	-	-	-
-	-	-	-	-
-	-	-	-	-
0	177	1775	-	-
1	155	1740	1527	29
2	136	1740	1547	22
3	117	1740	1562	17
Total (+5/-10)			4636	68
Final stroke reduced by	0	Priming Volume		22
Cylinder Mass (Kg)	175	Total Volume (Litres)		90
Maximum Pressure (Bar)	190	Max. first stage thrust		225 KN

***TIPPING CAPACITY AT WORKING PRESSURE

BODY LENGTH (BL)		BODY LENGTH (BL)			OH	
6050	6300	6550				
40	47°	39	45°	38	43°	150
45	50°	43	48°	42	46°	450
51	54°	49	51°	47	48°	750

$d = 0$; $r = 750$; Working Pressure 135 bar
For guidance only;
 Higher working pressures and tipping capacities may be possible.
 To check your application email - applications@edbro.co.uk

NOTES

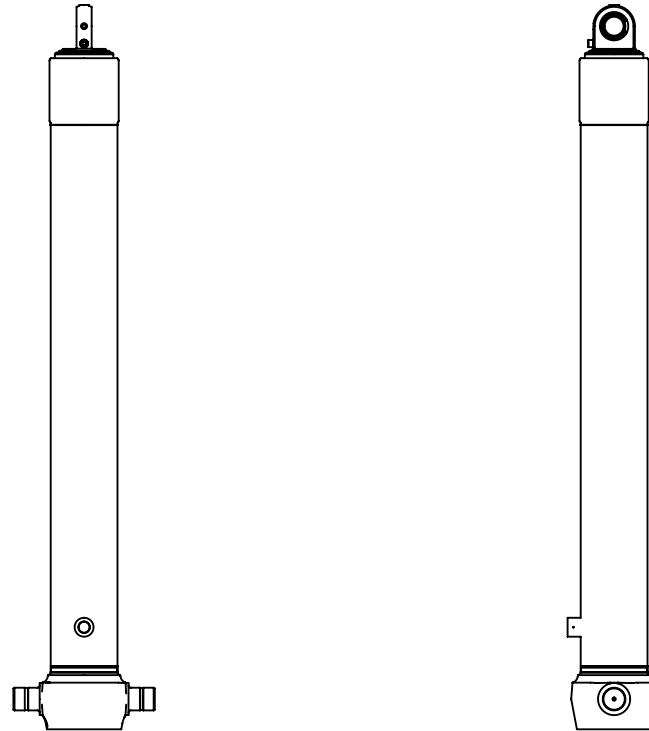
1. This cylinder is for lifting purposes only and side load conditions should be avoided
2. Cylinder is painted in primer paint to RAL5013
3. Refer to www.edbro.com for:-
 - Bracket details
 - Installation instructions that must be observed
 - Correct oil selection
 - An explanation of tipping capacity

*Includes 9mm Pull Out.
 All Stages Chrome Plated



Edbro plc
 Nelson Street, Bolton, England, BL3 2JJ
 Tel +44 (0) 1204 528888 Fax +44 (0) 1204 531957
 Email: postmaster@edbro.com Web: www.edbro.com

Technical Specifications are subject to change without notice
 Date Created/Updated: 19 July 2012
 Refer www.edbro.com to confirm latest specification
 All dimensions are in 'mm', unless otherwise stated



CS150S34639B19A01C