

Cylinder 3 stage front end with spherical eye

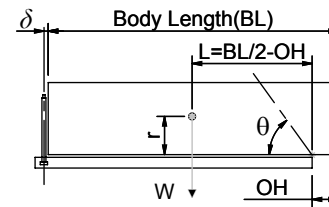
CS150S34639B19A01C

SPECIFICATION **RATED CAPACITY : 36-52 TONNES*****

Stage	Diameter	Length	Stroke	Swept Volume
-	-	-	-	-
-	-	-	-	-
-	-	-	-	-
0	177	1775	-	-
1	155	1740	1527	29
2	136	1740	1547	22
3	117	1740	1562	17
Final stroke reduced by	0	Total (+5/-10)	4636	68
Cylinder Mass (Kg)	178.50	Priming Volume		22.4
Rated Pressure (Bar)	135	Total Volume (Litres)		90.4
Maximum Pressure (Bar)	175	Max. first stage thrust		230 KN

*****TIPPING CAPACITY AT RATED PRESSURE**

d = 0 ; r = 750



BODY LENGTH (BL)					OH	
6000	6500	7000				
40	48°	38	44°	36	40°	150
45	51°	42	46°	39	42°	450
52	54°	47	49°	43	44°	750

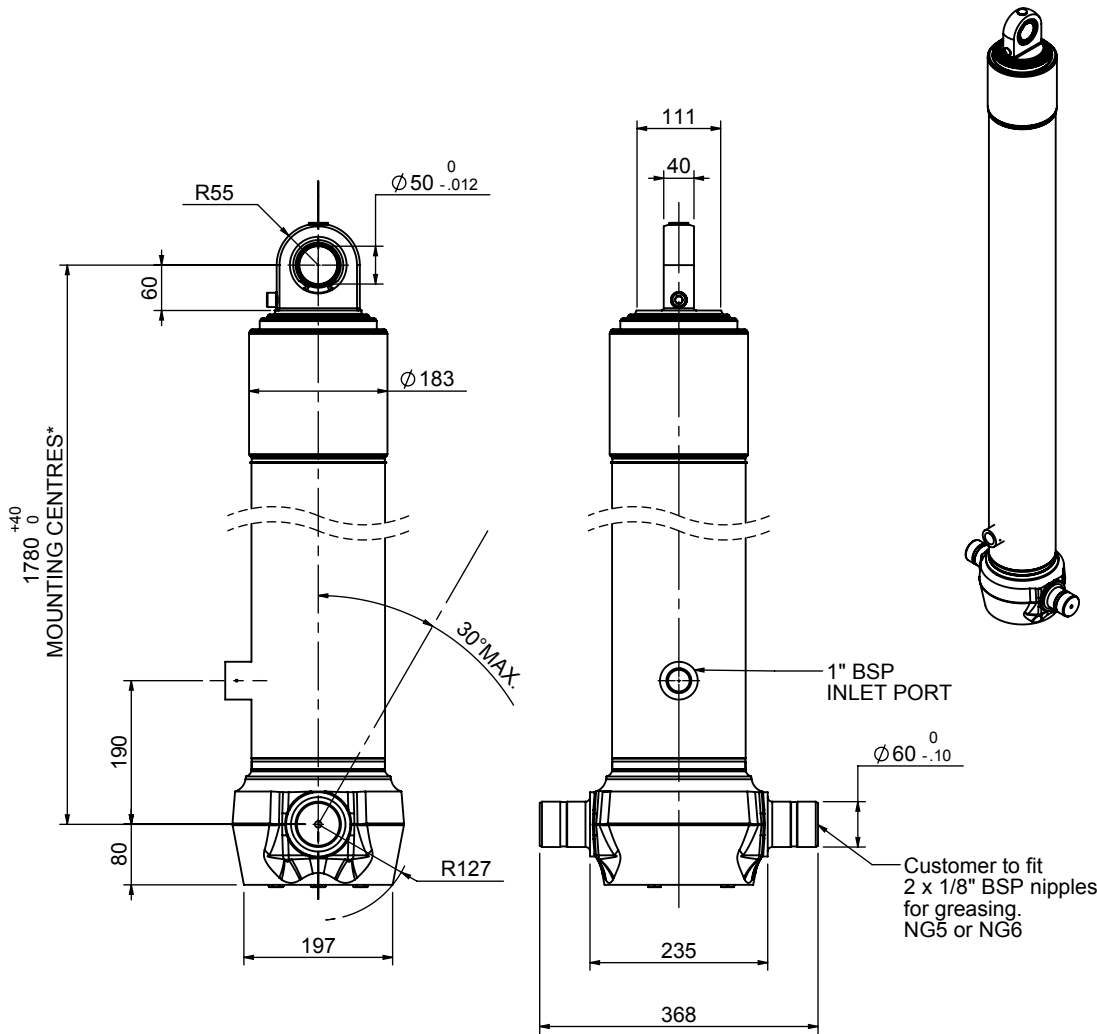
Tipping angle (θ)
Body + payload mass, W (tonne)

For guidance only;

Higher Rated Pressures may be possible. To check your application, email Edbro plc at <applications@edbro.co.uk>

NOTES

- If hydraulic pressure is used to limit overloading, the system relief valve must be set to the Rated Pressure unless agreed otherwise by Edbro
- The system relief valve can be set to Maximum Pressure if the load is limited by other means. See RATINGS page for advice
- This cylinder is for lifting purposes only and sload conditions must be avoided
- Cylinder is painted in primer paint to RAL5013
- See bracket options page BRKT01, BRKT02
- See installation instructions INSTALL01
- Use oil according to specification OIL01



*Includes 9mm Pull Out
All Stages Chrome Plated



Edbro plc
Nelson Street, Bolton, Lancashire BL3 2JJ UK
Tel +44 (0) 1204 528888 Fax +44 (0) 1204 531957
Email: postmaster@edbro.com Web: www.edbro.com

Technical Specifications are subject to change without notice
Date Created/Updated: 19 November 2009 11:17:22
Refer www.edbro.com to confirm latest specification
All dimensions are in 'mm', unless otherwise stated